

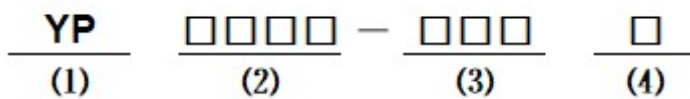
**■ Features**

- High current Type.
- Ferrite bobbin core and compact size.
- Low core loss for high frequency power application.
- Large terminal surface for good PCB bonding.
- Operating temperature:-40℃ ~ +125℃.

**■ Applications**

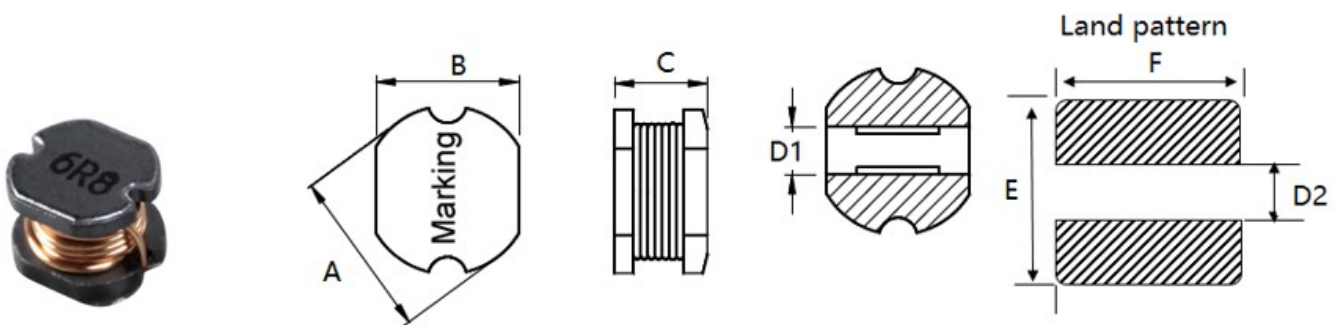
- Portable communication equipment.
- Notebook PC,digital camera,LCD television set.
- Power supply for VTR,OA equipment.
- DC/DC converters.

**■ Product Identification**



- (1) : Type
- (2) : Dimensions
- (3) : Inductance value
- (4): Inductance Tolerance: N=±30%,M=±20%, L=±15%, K=±10%

**■ Shapes and Dimensions (Unit: mm)**



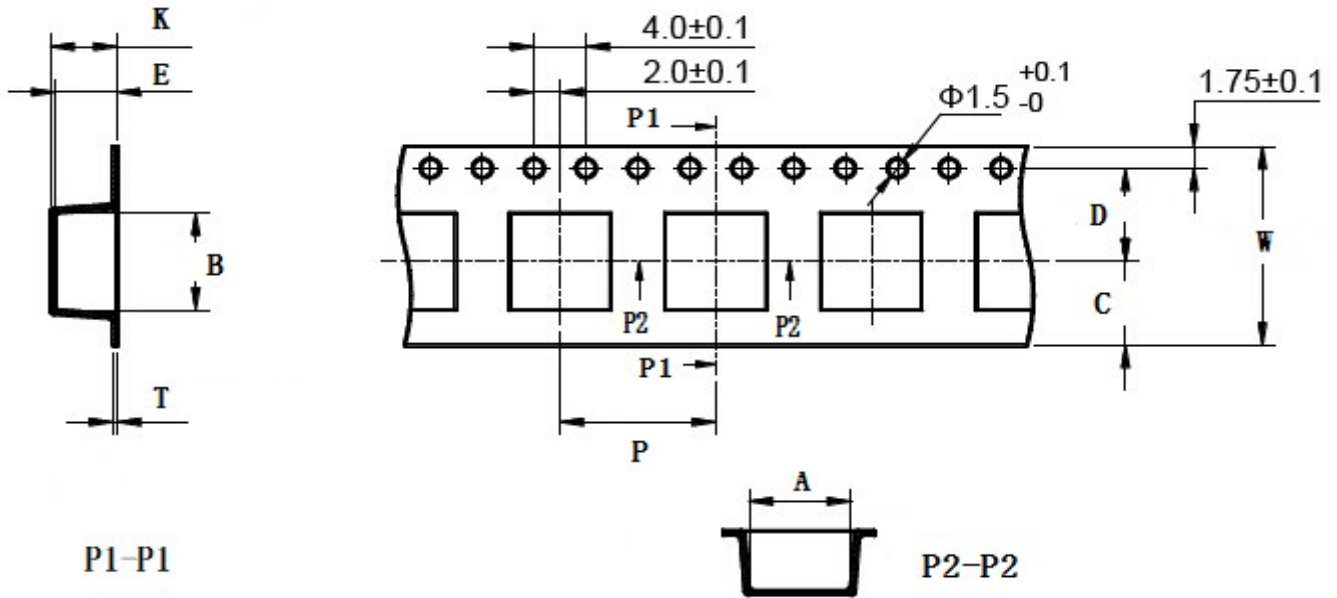
| TYPE   | A       | B       | C       | D1 Ref. | D2 Ref. | E Ref. | F Ref. |
|--------|---------|---------|---------|---------|---------|--------|--------|
| YP0402 | 4.5±0.3 | 4.0±0.3 | 2.0±0.3 | 1.4     | 1.5     | 5.0    | 4.5    |

## ■ YP0402 Series

| Part Number | Inductance<br>(uH) | L Test Frequency<br>(KHz) | Max.DC Resistance<br>(Ω) | Max.Rated Current<br>(A) |
|-------------|--------------------|---------------------------|--------------------------|--------------------------|
| YP0402-1R0□ | 1.00               | 100                       | 0.030                    | 2.50                     |
| YP0402-1R5□ | 1.50               | 100                       | 0.040                    | 2.30                     |
| YP0402-1R8□ | 1.80               | 100                       | 0.050                    | 2.00                     |
| YP0402-2R2□ | 2.20               | 100                       | 0.060                    | 1.80                     |
| YP0402-3R3□ | 3.30               | 100                       | 0.080                    | 1.50                     |
| YP0402-4R7□ | 4.70               | 100                       | 0.106                    | 1.20                     |
| YP0402-6R8□ | 6.80               | 100                       | 0.135                    | 1.00                     |
| YP0402-100□ | 10.0               | 100                       | 0.195                    | 0.80                     |
| YP0402-150□ | 15.0               | 100                       | 0.330                    | 0.70                     |
| YP0402-220□ | 22.0               | 100                       | 0.486                    | 0.60                     |
| YP0402-330□ | 33.0               | 100                       | 0.640                    | 0.55                     |
| YP0402-390□ | 39.0               | 100                       | 0.700                    | 0.50                     |
| YP0402-470□ | 47.0               | 100                       | 0.950                    | 0.40                     |
| YP0402-680□ | 68.0               | 100                       | 1.350                    | 0.30                     |
| YP0402-101□ | 100                | 100                       | 1.710                    | 0.25                     |
| YP0402-151□ | 150                | 100                       | 2.530                    | 0.24                     |
| YP0402-221□ | 220                | 100                       | 4.200                    | 0.23                     |
| YP0402-331□ | 330                | 100                       | 5.300                    | 0.20                     |
| YP0402-391□ | 390                | 100                       | 6.820                    | 0.18                     |
| YP0402-471□ | 470                | 100                       | 7.780                    | 0.15                     |

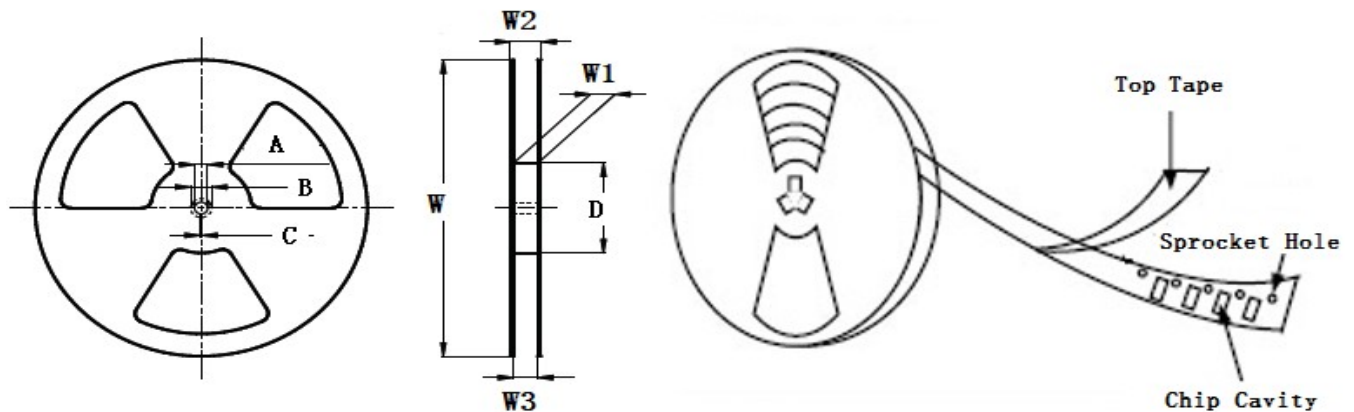
- ※ The saturation current value is the DC current value having inductance decrease down to 30%.(at 20°C)
- ※ The temperature rise current value is the DC current value having temperature increase up to 40°C. (at 20°C)
- ※ The rated current is the DC current value that satisfies both of current value saturation current value and temperature rise current value.

**Taping Dimensions(Unit:mm)**



| TYPE   | W      | A        | B        | C    | D       | E        | P       | K<br>Ref | T         | MPQ  |
|--------|--------|----------|----------|------|---------|----------|---------|----------|-----------|------|
| YP0402 | 12±0.3 | 4.25±0.1 | 4.65±0.1 | 4.75 | 5.5±0.1 | 2.25±0.1 | 8.0±0.1 | 2.4      | 0.30±0.05 | 3000 |

**Reel Dimensions(Unit:mm)**



| TYPE   | W       | W1        | W2      | W3       | A         | B         | C        | D       |
|--------|---------|-----------|---------|----------|-----------|-----------|----------|---------|
| YP0402 | 330±2.0 | 12.8±1.50 | 18.4MAX | 11.9 Min | 13.0±0.50 | 21.0±0.80 | 2.0±0.50 | 100 Min |

**Direction of rolling**



**Cover tape peel off condition**



Cover tape peel force shall be 0.1N to 1.3N.

Reference peel speed 300±10mm/min.

## X-ON Electronics

Largest Supplier of Electrical and Electronic Components

*Click to view similar products for [Fixed Inductors](#) category:*

*Click to view products by [YJYCOIN](#) manufacturer:*

Other Similar products are found below :

[MLZ1608M6R8WTD25](#) [MLZ1608N6R8LT000](#) [MLZ1608N3R3LTD25](#) [MLZ1608N3R3LT000](#) [MLZ1608N150LT000](#)

[MLZ1608M150WTD25](#) [MLZ1608M3R3WTD25](#) [MLZ1608M3R3WT000](#) [MLZ1608M150WT000](#) [MLZ1608A1R5WT000](#)

[MLZ1608N1R5LT000](#) [B82432C1333K000](#) [PCMB053T-1R0MS](#) [PCMB053T-1R5MS](#) [PCMB104T-1R5MS](#) [CR32NP-100KC](#) [CR32NP-](#)

[151KC](#) [CR32NP-180KC](#) [CR32NP-181KC](#) [CR32NP-1R5MC](#) [CR32NP-390KC](#) [CR32NP-3R9MC](#) [CR32NP-680KC](#) [CR32NP-820KC](#)

[CR32NP-8R2MC](#) [CR43NP-390KC](#) [CR43NP-560KC](#) [CR43NP-680KC](#) [CR54NP-181KC](#) [CR54NP-470LC](#) [CR54NP-820KC](#) [CR54NP-8R5MC](#)

[MGDQ4-00004-P](#) [MGDU1-00016-P](#) [MHL1ECTTP18NJ](#) [MHL1JCTTD12NJ](#) [PE-51506NL](#) [PE-53601NL](#) [PE-53630NL](#) [PE-53824SNLT](#) [PE-](#)

[62892NL](#) [PE-92100NL](#) [PG0434.801NLT](#) [PG0936.113NLT](#) [PM06-2N7](#) [PM06-39NJ](#) [HC2LP-R47-R](#) [HC2-R47-R](#) [HC3-2R2-R](#) [HC8-1R2-R](#)