

■ Features

- High current Type.
- Ferrite bobbin core and compact size.
- Low core loss for high frequency power application.
- Large terminal surface for good PCB bonding.
- Operating temperature:-40°C ~ +125°C.

■ Applications

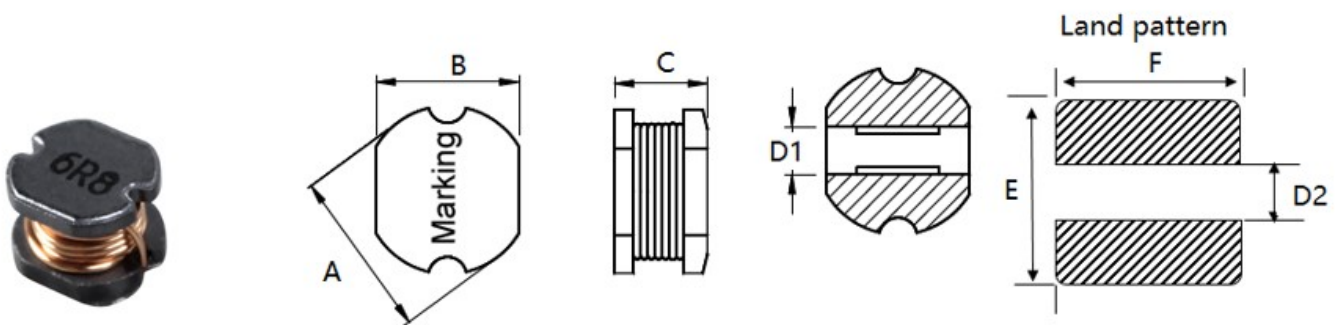
- Portable communication equipment.
- Notebook PC,digital camera,LCD television set.
- Power supply for VTR,OA equipment.
- DC/DC converters.

■ Product Identification



- (1) : Type
- (2) : Dimensions
- (3) : Inductance value
- (4): Inductance Tolerance: N=±30%,M=±20%, L=±15%, K=±10%

■ Shapes and Dimensions (Unit: mm)



| TYPE | A | B | C | D1 Ref. | D2 Ref. | E Ref. | F Ref. |
|--------|---------|---------|---------|---------|---------|--------|--------|
| YP0503 | 5.8±0.3 | 5.2±0.3 | 3.2±0.3 | 1.5 | 1.7 | 6.0 | 5.5 |

■ YP0503 Series

| Part Number | Inductance (μ H) | L Test Frequency (KHz) | Max.DC Resistance (Ω) | Max.Rated Current (A) |
|-------------|--------------------------|---------------------------|-----------------------------------|--------------------------|
| YP0503-1R0□ | 1.00 | 100 | 0.030 | 4.50 |
| YP0503-1R2□ | 1.20 | 100 | 0.030 | 4.20 |
| YP0503-1R5□ | 1.50 | 100 | 0.030 | 4.10 |
| YP0503-1R8□ | 1.80 | 100 | 0.030 | 3.70 |
| YP0503-2R2□ | 2.20 | 100 | 0.030 | 3.50 |
| YP0503-2R7□ | 2.70 | 100 | 0.040 | 3.20 |
| YP0503-3R3□ | 3.30 | 100 | 0.050 | 2.80 |
| YP0503-3R9□ | 3.90 | 100 | 0.060 | 2.60 |
| YP0503-4R7□ | 4.70 | 100 | 0.070 | 2.50 |
| YP0503-5R6□ | 5.60 | 100 | 0.080 | 2.40 |
| YP0503-6R8□ | 6.80 | 100 | 0.090 | 2.20 |
| YP0503-8R2□ | 8.20 | 100 | 0.100 | 2.00 |
| YP0503-100□ | 10.0 | 100 | 0.120 | 1.80 |
| YP0503-120□ | 12.0 | 100 | 0.130 | 1.75 |
| YP0503-150□ | 15.0 | 100 | 0.150 | 1.70 |
| YP0503-180□ | 18.0 | 100 | 0.180 | 1.60 |
| YP0503-220□ | 22.0 | 100 | 0.220 | 1.50 |
| YP0503-270□ | 27.0 | 100 | 0.240 | 1.40 |
| YP0503-330□ | 33.0 | 100 | 0.300 | 1.10 |
| YP0503-390□ | 39.0 | 100 | 0.400 | 1.00 |
| YP0503-470□ | 47.0 | 100 | 0.430 | 0.90 |
| YP0503-560□ | 56.0 | 100 | 0.500 | 0.85 |
| YP0503-680□ | 68.0 | 100 | 0.600 | 0.80 |
| YP0503-820□ | 82.0 | 100 | 0.800 | 0.65 |

■ YP0503 Series

| Part Number | Inductance (uH) | L Test Frequency (KHz) | Max.DC Resistance (Ω) | Max.Rated Current (A) |
|-------------|--------------------|---------------------------|--------------------------|--------------------------|
| YP0503-101□ | 100 | 100 | 0.900 | 0.60 |
| YP0503-121□ | 120 | 100 | 1.000 | 0.58 |
| YP0503-151□ | 150 | 100 | 1.300 | 0.43 |
| YP0503-181□ | 180 | 100 | 1.500 | 0.41 |
| YP0503-221□ | 220 | 100 | 2.000 | 0.38 |
| YP0503-271□ | 270 | 100 | 2.500 | 0.35 |
| YP0503-331□ | 330 | 100 | 3.200 | 0.28 |
| YP0503-391□ | 390 | 100 | 3.500 | 0.26 |
| YP0503-471□ | 470 | 100 | 4.200 | 0.20 |
| YP0503-561□ | 560 | 100 | 4.500 | 0.19 |
| YP0503-681□ | 680 | 100 | 6.000 | 0.18 |
| YP0503-821□ | 820 | 100 | 6.500 | 0.15 |
| YP0503-102□ | 1000 | 100 | 8.000 | 0.13 |

- ※ The saturation current value is the DC current value having inductance decrease down to 30%.(at 20°C)
- ※ The temperature rise current value is the DC current value having temperature increase up to 40°C. (at 20°C)
- ※ The rated current is the DC current value that satisfies both of current value saturation current value and temperature rise current value.

■ Taping Dimensions(Unit:mm)



| TYPE | W | A | B | C | D | E | P | K Ref | T | MPQ |
|--------|--------|----------|----------|------|---------|----------|---------|-------|-----------|------|
| YP0503 | 12±0.3 | 5.30±0.1 | 5.90±0.1 | 4.75 | 5.5±0.1 | 3.50±0.1 | 8.0±0.1 | 3.7 | 0.35±0.05 | 2000 |

■ Reel Dimensions(Unit:mm)



| TYPE | W | W1 | W2 | W3 | A | B | C | D |
|--------|---------|-----------|---------|----------|-----------|-----------|----------|---------|
| YP0503 | 330±2.0 | 12.8±1.50 | 18.4MAX | 11.9 Min | 13.0±0.50 | 21.0±0.80 | 2.0±0.50 | 100 Min |

Direction of rolling



Cover tape peel off condition



Cover tape peel force shall be 0.1N to 1.3N.

Reference peel speed 300 ± 10 mm/min.

X-ON Electronics

Largest Supplier of Electrical and Electronic Components

Click to view similar products for [Fixed Inductors](#) category:

Click to view products by [YJYCOIN](#) manufacturer:

Other Similar products are found below :

[MLZ1608M6R8WTD25](#) [MLZ1608N6R8LT000](#) [MLZ1608N3R3LTD25](#) [MLZ1608N3R3LT000](#) [MLZ1608N150LT000](#)

[MLZ1608M150WTD25](#) [MLZ1608M3R3WTD25](#) [MLZ1608M3R3WT000](#) [MLZ1608M150WT000](#) [MLZ1608A1R5WT000](#)

[MLZ1608N1R5LT000](#) [B82432C1333K000](#) [PCMB053T-1R0MS](#) [PCMB053T-1R5MS](#) [PCMB104T-1R5MS](#) [CR32NP-100KC](#) [CR32NP-](#)

[151KC](#) [CR32NP-180KC](#) [CR32NP-181KC](#) [CR32NP-1R5MC](#) [CR32NP-390KC](#) [CR32NP-3R9MC](#) [CR32NP-680KC](#) [CR32NP-820KC](#)

[CR32NP-8R2MC](#) [CR43NP-390KC](#) [CR43NP-560KC](#) [CR43NP-680KC](#) [CR54NP-181KC](#) [CR54NP-470LC](#) [CR54NP-820KC](#) [CR54NP-8R5MC](#)

[MGDQ4-00004-P](#) [MGDU1-00016-P](#) [MHL1ECTTP18NJ](#) [MHL1JCTTD12NJ](#) [PE-51506NL](#) [PE-53601NL](#) [PE-53630NL](#) [PE-53824SNLT](#) [PE-](#)

[62892NL](#) [PE-92100NL](#) [PG0434.801NLT](#) [PG0936.113NLT](#) [PM06-2N7](#) [PM06-39NJ](#) [HC2LP-R47-R](#) [HC2-R47-R](#) [HC3-2R2-R](#) [HC8-1R2-R](#)