

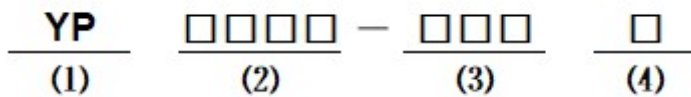
**■ Features**

- High current Type.
- Ferrite bobbin core and compact size.
- Low core loss for high frequency power application.
- Large terminal surface for good PCB bonding.
- Operating temperature:-40℃ ~ +125℃.

**■ Applications**

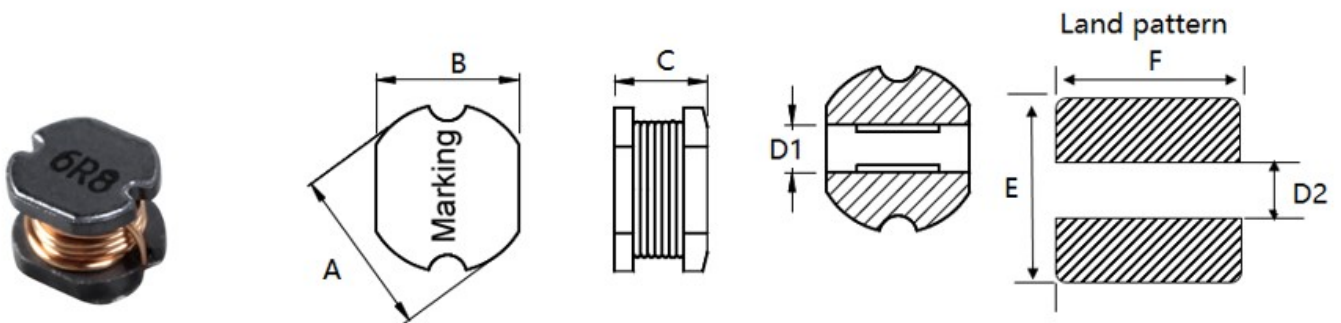
- Portable communication equipment.
- Notebook PC,digital camera,LCD television set.
- Power supply for VTR,OA equipment.
- DC/DC converters.

**■ Product Identification**



- (1) : Type
- (2) : Dimensions
- (3) : Inductance value
- (4): Inductance Tolerance: N=±30%,M=±20%, L=±15%, K=±10%

**■ Shapes and Dimensions (Unit: mm)**



| TYPE   | A       | B       | C       | D1 Ref. | D2 Ref. | E Ref. | F Ref. |
|--------|---------|---------|---------|---------|---------|--------|--------|
| YP0504 | 5.8±0.3 | 5.2±0.3 | 4.5±0.3 | 1.5     | 1.7     | 6.0    | 5.5    |

## ■ YP0504 Series

| Part Number | Inductance<br>( $\mu$ H) | L Test Frequency<br>(KHz) | Max.DC Resistance<br>( $\Omega$ ) | Max.Rated Current<br>(A) |
|-------------|--------------------------|---------------------------|-----------------------------------|--------------------------|
| YP0504-1R0□ | 1.00                     | 100                       | 0.015                             | 5.90                     |
| YP0504-1R2□ | 1.20                     | 100                       | 0.020                             | 5.20                     |
| YP0504-1R5□ | 1.50                     | 100                       | 0.025                             | 4.70                     |
| YP0504-1R8□ | 1.80                     | 100                       | 0.030                             | 4.00                     |
| YP0504-2R2□ | 2.20                     | 100                       | 0.035                             | 3.80                     |
| YP0504-2R7□ | 2.70                     | 100                       | 0.040                             | 3.40                     |
| YP0504-3R3□ | 3.30                     | 100                       | 0.045                             | 3.30                     |
| YP0504-3R9□ | 3.90                     | 100                       | 0.050                             | 2.90                     |
| YP0504-4R7□ | 4.70                     | 100                       | 0.060                             | 2.80                     |
| YP0504-5R6□ | 5.60                     | 100                       | 0.070                             | 2.40                     |
| YP0504-6R8□ | 6.80                     | 100                       | 0.080                             | 2.10                     |
| YP0504-8R2□ | 8.20                     | 100                       | 0.090                             | 2.00                     |
| YP0504-100□ | 10.0                     | 100                       | 0.100                             | 1.44                     |
| YP0504-120□ | 12.0                     | 100                       | 0.120                             | 1.40                     |
| YP0504-150□ | 15.0                     | 100                       | 0.140                             | 1.30                     |
| YP0504-180□ | 18.0                     | 100                       | 0.150                             | 1.23                     |
| YP0504-220□ | 22.0                     | 100                       | 0.180                             | 1.11                     |
| YP0504-270□ | 27.0                     | 100                       | 0.200                             | 0.97                     |
| YP0504-330□ | 33.0                     | 100                       | 0.230                             | 0.88                     |
| YP0504-390□ | 39.0                     | 100                       | 0.320                             | 0.80                     |
| YP0504-470□ | 47.0                     | 100                       | 0.370                             | 0.72                     |
| YP0504-560□ | 56.0                     | 100                       | 0.420                             | 0.68                     |
| YP0504-680□ | 68.0                     | 100                       | 0.460                             | 0.61                     |

## ■ YP0504 Series

| Part Number | Inductance<br>( $\mu$ H) | L Test Frequency<br>(KHz) | Max.DC Resistance<br>( $\Omega$ ) | Max.Rated Current<br>(A) |
|-------------|--------------------------|---------------------------|-----------------------------------|--------------------------|
| YP0504-820□ | 82.0                     | 100                       | 0.600                             | 0.58                     |
| YP0504-101□ | 100                      | 100                       | 0.700                             | 0.52                     |
| YP0504-121□ | 120                      | 100                       | 0.930                             | 0.48                     |
| YP0504-151□ | 150                      | 100                       | 1.100                             | 0.40                     |
| YP0504-181□ | 180                      | 100                       | 1.380                             | 0.38                     |
| YP0504-221□ | 220                      | 100                       | 1.570                             | 0.35                     |
| YP0504-271□ | 270                      | 100                       | 1.650                             | 0.32                     |
| YP0504-331□ | 330                      | 100                       | 1.700                             | 0.28                     |
| YP0504-391□ | 390                      | 100                       | 1.800                             | 0.26                     |
| YP0504-471□ | 470                      | 100                       | 2.300                             | 0.23                     |
| YP0504-561□ | 560                      | 100                       | 2.500                             | 0.20                     |
| YP0504-681□ | 680                      | 100                       | 3.000                             | 0.19                     |
| YP0504-821□ | 820                      | 100                       | 4.500                             | 0.16                     |
| YP0504-102□ | 1000                     | 100                       | 4.800                             | 0.14                     |

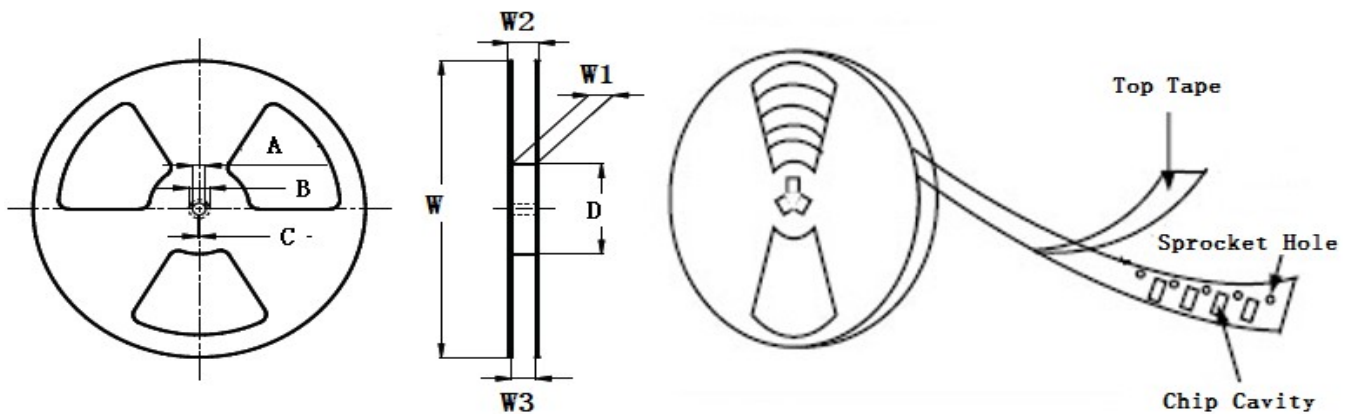
- ※ The saturation current value is the DC current value having inductance decrease down to 30%.(at 20°C)
- ※ The temperature rise current value is the DC current value having temperature increase up to 40°C. (at 20°C)
- ※ The rated current is the DC current value that satisfies both of current value saturation current value and temperature rise current value.

**■ Taping Dimensions(Unit:mm)**



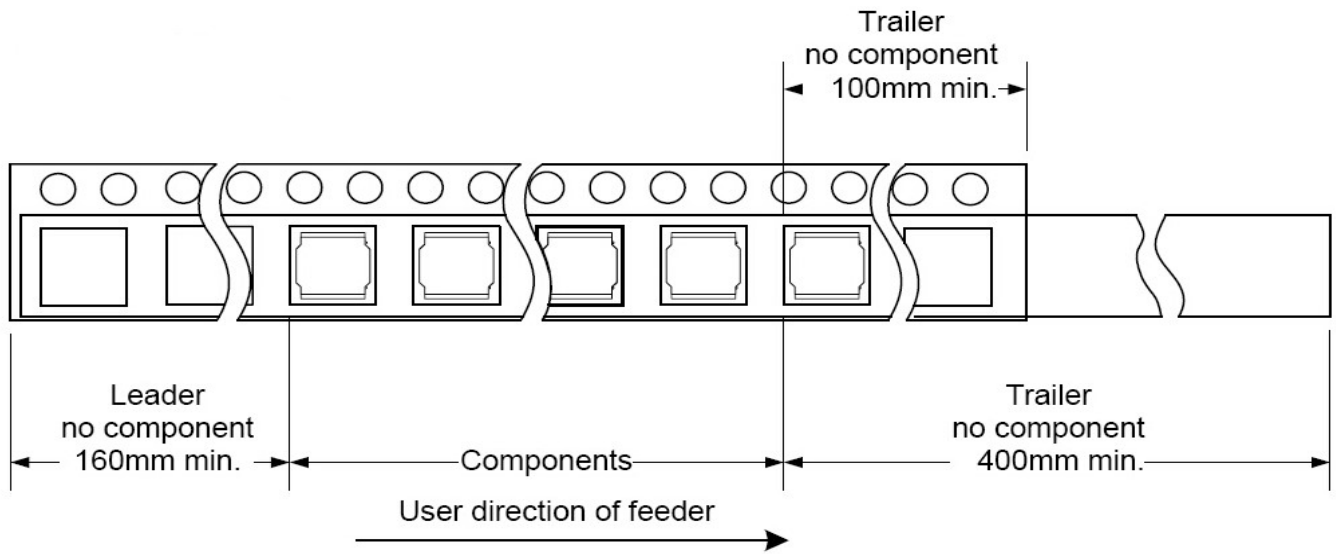
| TYPE   | W      | A        | B        | C    | D       | E        | P       | K Ref | T         | MPQ  |
|--------|--------|----------|----------|------|---------|----------|---------|-------|-----------|------|
| YP0504 | 12±0.3 | 5.20±0.1 | 6.40±0.1 | 4.75 | 5.5±0.1 | 4.55±0.1 | 8.0±0.1 | 4.75  | 0.40±0.05 | 1500 |

**■ Reel Dimensions(Unit:mm)**



| TYPE   | W       | W1        | W2      | W3       | A         | B         | C        | D       |
|--------|---------|-----------|---------|----------|-----------|-----------|----------|---------|
| YP0504 | 330±2.0 | 12.8±1.50 | 18.4MAX | 11.9 Min | 13.0±0.50 | 21.0±0.80 | 2.0±0.50 | 100 Min |

**Direction of rolling**



**Cover tape peel off condition**



Cover tape peel force shall be 0.1N to 1.3N.

Reference peel speed 300±10mm/min.

## X-ON Electronics

Largest Supplier of Electrical and Electronic Components

*Click to view similar products for [Fixed Inductors](#) category:*

*Click to view products by [YJYCOIN](#) manufacturer:*

Other Similar products are found below :

[MLZ1608M6R8WTD25](#) [MLZ1608N6R8LT000](#) [MLZ1608N3R3LTD25](#) [MLZ1608N3R3LT000](#) [MLZ1608N150LT000](#)

[MLZ1608M150WTD25](#) [MLZ1608M3R3WTD25](#) [MLZ1608M3R3WT000](#) [MLZ1608M150WT000](#) [MLZ1608A1R5WT000](#)

[MLZ1608N1R5LT000](#) [B82432C1333K000](#) [PCMB053T-1R0MS](#) [PCMB053T-1R5MS](#) [PCMB104T-1R5MS](#) [CR32NP-100KC](#) [CR32NP-](#)

[151KC](#) [CR32NP-180KC](#) [CR32NP-181KC](#) [CR32NP-1R5MC](#) [CR32NP-390KC](#) [CR32NP-3R9MC](#) [CR32NP-680KC](#) [CR32NP-820KC](#)

[CR32NP-8R2MC](#) [CR43NP-390KC](#) [CR43NP-560KC](#) [CR43NP-680KC](#) [CR54NP-181KC](#) [CR54NP-470LC](#) [CR54NP-820KC](#) [CR54NP-8R5MC](#)

[ET3542-057](#) [MGDQ4-00004-P](#) [MGDU1-00016-P](#) [MHL1ECTTP18NJ](#) [MHL1JCTTD12NJ](#) [PE-51506NL](#) [PE-53601NL](#) [PE-53630NL](#) [PE-](#)

[53824SNLT](#) [PE-62892NL](#) [PE-92100NL](#) [PG0434.801NLT](#) [PG0936.113NLT](#) [PM06-2N7](#) [PM06-39NJ](#) [HC2LP-R47-R](#) [HC2-R47-R](#) [HC3-2R2-](#)

[R](#)