

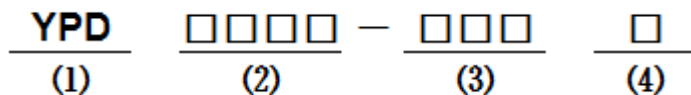
■ Features

- Low radiation noise by magnetic shielding structure.
- Assemblage project, sturdy construction.
- Low magnetic loss, low ESR, small parasitic capacitance.
- Closed magnetic circuit, super-low buzzing, can high density mount.
- Small volume, high current, the temperature rise of current and rated current
Less influenced by the environment.
- Operating temperature: -40°C ~ +125°C.

■ Applications

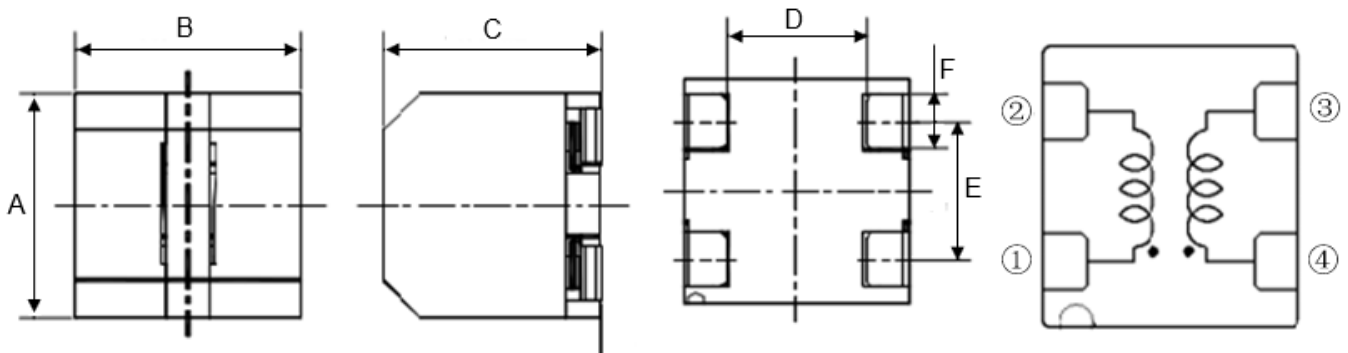
- Suitable as choke for digital amp, Car audio, PDP TV and 5.1ch Home theater.
- OA equipment Digital camera, LCD television set notebook PC, Audio
equipment, portable communication equipments, DC/DC converters, etc.

■ Product Identification



- (1) : Type
- (2) : Dimensions
- (3) : Impedance
- (4) : Inductance Tolerance

■ Shapes and Dimensions (Unit: mm)



TYPE	A	B	C Max	D	E	F
YPD0910	9.0±0.5	10.0±0.5	10.5	6.2	5.5	2.0

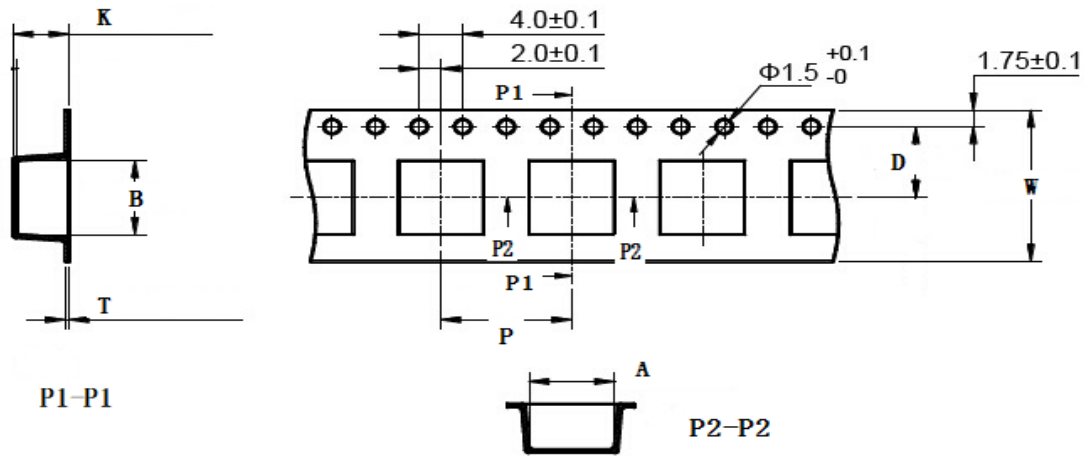
■ YPD Series

Part Number	Inductance (uH)	L Test Freq. (KHz)	Max.DCR (Ω)	Saturation Current (A)	Heat Rating Current (A)
YPD0910-100□	10	100	0.029	5.24	5.00
YPD0910-150□	15	100	0.031	3.92	3.50
YPD0910-220□	20	100	0.036	2.82	2.50

■ Material List

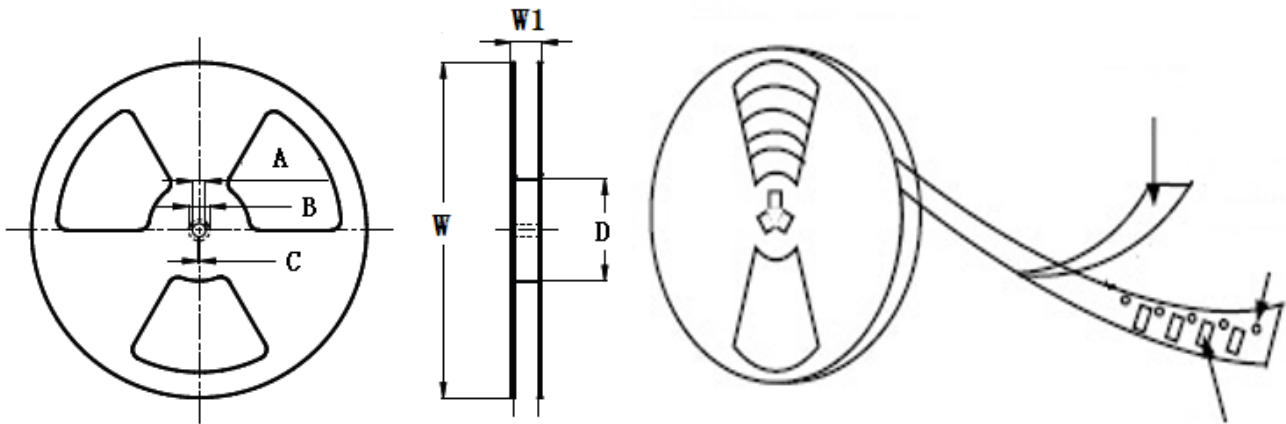
NO.	ITEM	MATERIAL DESCRIPTION	SUPPLIER	REMARK
1	CORE	EPI9G74	SOCIAL	OR EQUIVALENT
2	WIRE	EPI9	ZHUHAI SONTEK	OR EQUIVALENT
3	EPOXY	W809S	LINUOWEI	OR EQUIVALENT

■ Taping Dimensions(Unit:mm)



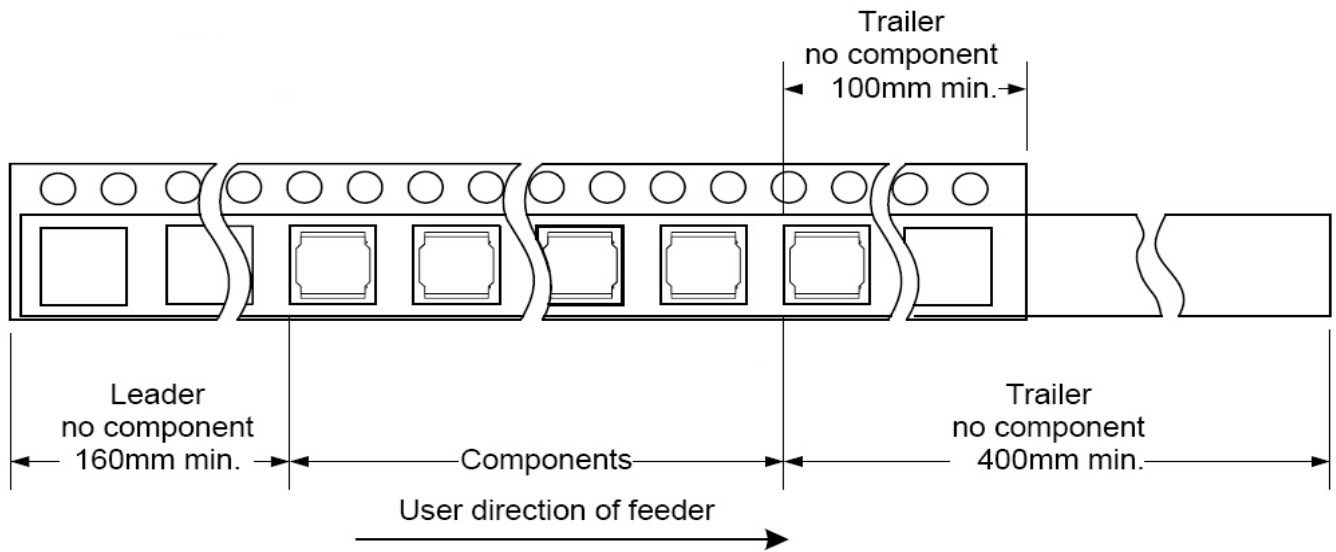
TYPE	W	A	B	D	P	K	T	MPQ
YPD0910	24.0±0.3	9.4±0.1	10.5±0.1	11.5±0.1	16.0±0.1	10.4±0.1	0.5±0.05	400

■ Reel Dimensions(Unit:mm)

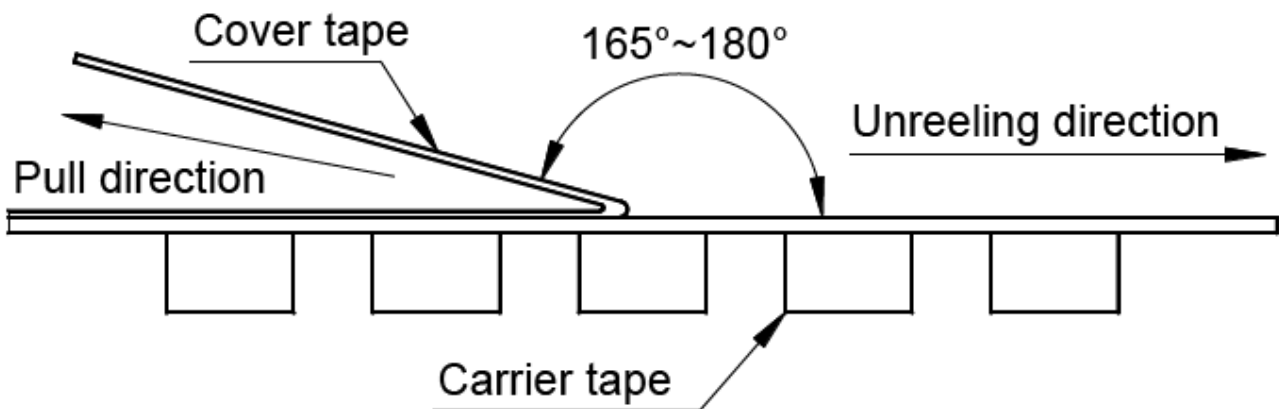


TYPE	W	W1	A	B	C	D
YPD0910	330±2.0	30.4±0.50	13.0±0.5	21.0±0.8	2.0±0.5	100Min

Direction of rolling



Cover tape peel off condition



Cover tape peel force shall be 0.1N to 1.3N.

Reference peel speed 300±10mm/min.

X-ON Electronics

Largest Supplier of Electrical and Electronic Components

Click to view similar products for [Fixed Inductors](#) category:

Click to view products by [YJYCOIN](#) manufacturer:

Other Similar products are found below :

[CR32NP-151KC](#) [CR32NP-180KC](#) [CR32NP-181KC](#) [CR32NP-1R5MC](#) [CR32NP-390KC](#) [CR32NP-3R9MC](#) [CR32NP-680KC](#) [CR32NP-820KC](#) [CR32NP-8R2MC](#) [CR43NP-390KC](#) [CR43NP-560KC](#) [CR43NP-680KC](#) [CR54NP-181KC](#) [CR54NP-470LC](#) [CR54NP-820KC](#) [CR54NP-8R5MC](#) [70F224AI](#) [MGDQ4-00004-P](#) [MHL1ECTTP18NJ](#) [MHQ1005P10NJ](#) [MHQ1005P1N0S](#) [MHQ1005P2N4S](#) [MHQ1005P3N6S](#) [MHQ1005P5N1S](#) [MHQ1005P8N2J](#) [PE-51506NL](#) [PE-53601NL](#) [PE-53602NL](#) [PE-53630NL](#) [PE-53824SNLT](#) [PE-92100NL](#) [PG0434.801NLT](#) [PG0936.113NLT](#) [9220-20](#) [9310-16](#) [PM06-2N7](#) [PM06-39NJ](#) [A01TK](#) [1206CS-471XJ](#) [HC2LP-R47-R](#) [HC2-R47-R](#) [HC3-2R2-R](#) [HCF1305-3R3-R](#) [1206CS-151XG](#) [RCH664NP-140L](#) [RCH664NP-4R7M](#) [RCH8011NP-221L](#) [RCP1317NP-332L](#) [RCP1317NP-391L](#) [RCR1010NP-470M](#)