

## ■ Features

- Low radiation noise by magnetic shielding structure.
- Assemblage project, sturdy construction.
- Low magnetic loss, low ESR, small parasitic capacitance.
- Closed magnetic circuit, super-low buzzing, can high density mount.
- Small volume, high current, the temperature rise of current and rated current  
Less influenced by the environment.
- Operating temperature: -40°C ~ +125°C.

## ■ Applications

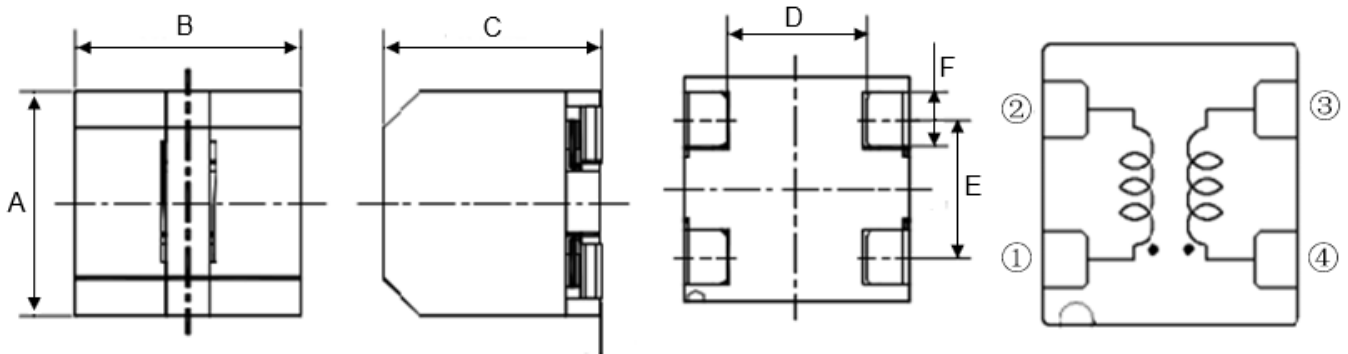
- Suitable as choke for digital amp, Car audio, PDP TV and 5.1ch Home theater.
- OA equipment Digital camera, LCD television set notebook PC, Audio  
equipment, portable communication equipments, DC/DC converters, etc.

## ■ Product Identification

$$\frac{\text{YPD}}{(1)} \quad \frac{\square\square\square\square}{(2)} - \frac{\square\square\square}{(3)} \quad \frac{\square}{(4)}$$

- (1) : Type
- (2) : Dimensions
- (3) : Impedance
- (4) : Inductance Tolerance

**■ Shapes and Dimensions (Unit: mm)**



| TYPE    | A       | B        | C Max | D   | E   | F   |
|---------|---------|----------|-------|-----|-----|-----|
| YPD0910 | 9.0±0.5 | 10.0±0.5 | 10.5  | 6.2 | 5.5 | 2.0 |

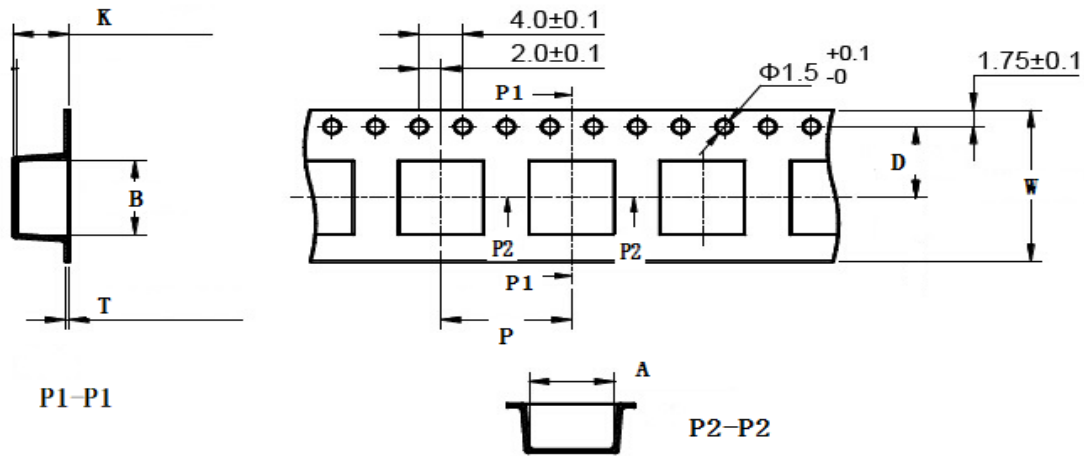
**■ YPD Series**

| Part Number  | Inductance<br>(uH) | L Test Freq.<br>(KHz) | Max.DCR<br>(Ω) | Saturation<br>Current (A) | Heat Rating<br>Current (A) |
|--------------|--------------------|-----------------------|----------------|---------------------------|----------------------------|
| YPD0910-100□ | 10                 | 100                   | 0.029          | 5.24                      | 5.00                       |
| YPD0910-150□ | 15                 | 100                   | 0.031          | 3.92                      | 3.50                       |
| YPD0910-220□ | 20                 | 100                   | 0.036          | 2.82                      | 2.50                       |

**■ Material List**

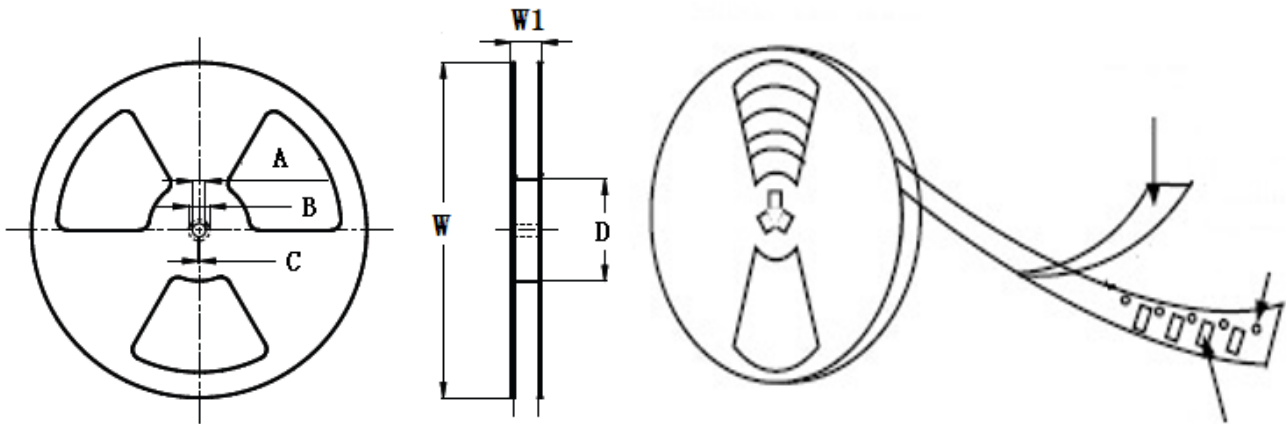
| NO. | ITEM  | MATERIAL DESCRIPTION | SUPPLIER      | REMARK        |
|-----|-------|----------------------|---------------|---------------|
| 1   | CORE  | EPI9G74              | SOCIAL        | OR EQUIVALENT |
| 2   | WIRE  | EPI9                 | ZHUHAI SONTEK | OR EQUIVALENT |
| 3   | EPOXY | W809S                | LINUOWEI      | OR EQUIVALENT |

**■ Taping Dimensions(Unit:mm)**



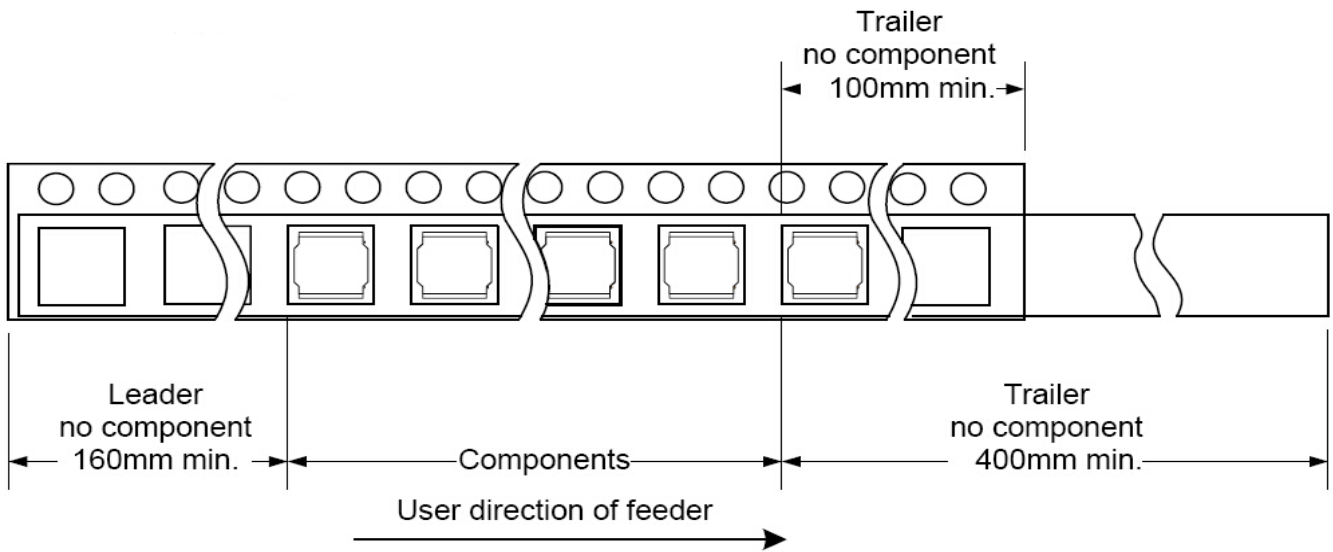
| TYPE    | W        | A       | B        | D        | P        | K        | T        | MPQ |
|---------|----------|---------|----------|----------|----------|----------|----------|-----|
| YPD0910 | 24.0±0.3 | 9.4±0.1 | 10.5±0.1 | 11.5±0.1 | 16.0±0.1 | 10.4±0.1 | 0.5±0.05 | 400 |

**■ Reel Dimensions(Unit:mm)**

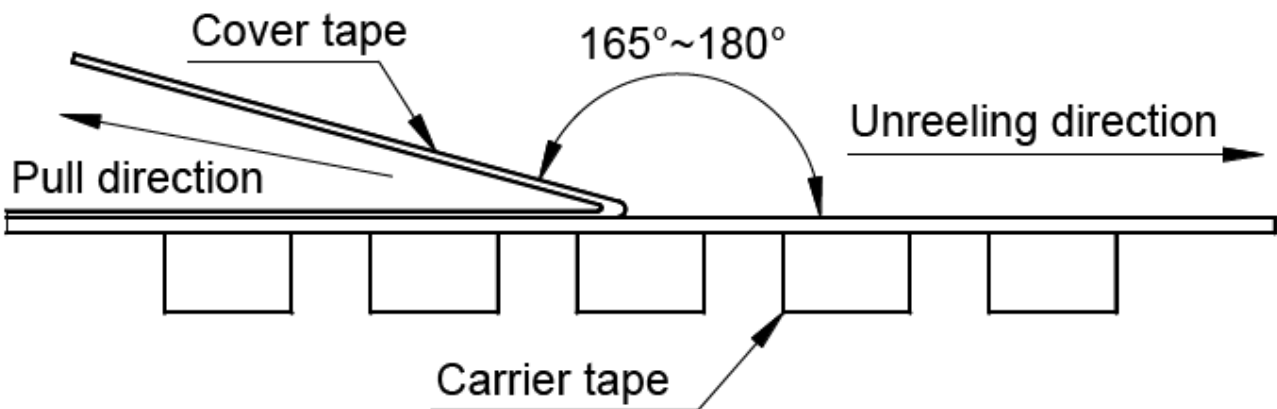


| TYPE    | W       | W1        | A        | B        | C       | D      |
|---------|---------|-----------|----------|----------|---------|--------|
| YPD0910 | 330±2.0 | 30.4±0.50 | 13.0±0.5 | 21.0±0.8 | 2.0±0.5 | 100Min |

**Direction of rolling**



**Cover tape peel off condition**



Cover tape peel force shall be 0.1N to 1.3N.

Reference peel speed 300±10mm/min.

## X-ON Electronics

Largest Supplier of Electrical and Electronic Components

*Click to view similar products for [Fixed Inductors](#) category:*

*Click to view products by [YJYCOIN](#) manufacturer:*

Other Similar products are found below :

[CR32NP-151KC](#) [CR32NP-180KC](#) [CR32NP-181KC](#) [CR32NP-1R5MC](#) [CR32NP-390KC](#) [CR32NP-3R9MC](#) [CR32NP-680KC](#) [CR32NP-820KC](#) [CR32NP-8R2MC](#) [CR43NP-390KC](#) [CR43NP-560KC](#) [CR43NP-680KC](#) [CR54NP-181KC](#) [CR54NP-470LC](#) [CR54NP-820KC](#) [CR54NP-8R5MC](#) [70F224AI](#) [MGDQ4-00004-P](#) [MHL1ECTTP18NJ](#) [MHQ1005P10NJ](#) [MHQ1005P1N0S](#) [MHQ1005P2N4S](#) [MHQ1005P3N6S](#) [MHQ1005P5N1S](#) [MHQ1005P8N2J](#) [PE-51506NL](#) [PE-53601NL](#) [PE-53602NL](#) [PE-53630NL](#) [PE-53824SNLT](#) [PE-92100NL](#) [PG0434.801NLT](#) [PG0936.113NLT](#) [9220-20](#) [9310-16](#) [PM06-2N7](#) [PM06-39NJ](#) [A01TK](#) [1206CS-471XJ](#) [HC2LP-R47-R](#) [HC2-R47-R](#) [HC3-2R2-R](#) [HCF1305-3R3-R](#) [1206CS-151XG](#) [RCH664NP-140L](#) [RCH664NP-4R7M](#) [RCH8011NP-221L](#) [RCP1317NP-332L](#) [RCP1317NP-391L](#) [RCR1010NP-470M](#)