

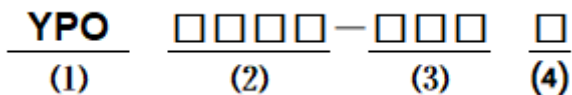
■ Features

- High energy storage capacity and low DCR.
- Ferrite bobbin core and low profile,small size.
- High heat resistance,ideal for re-flow solding.
- High reliability.
- Operating temperature:-40°C ~ +125°C.

■ Applications

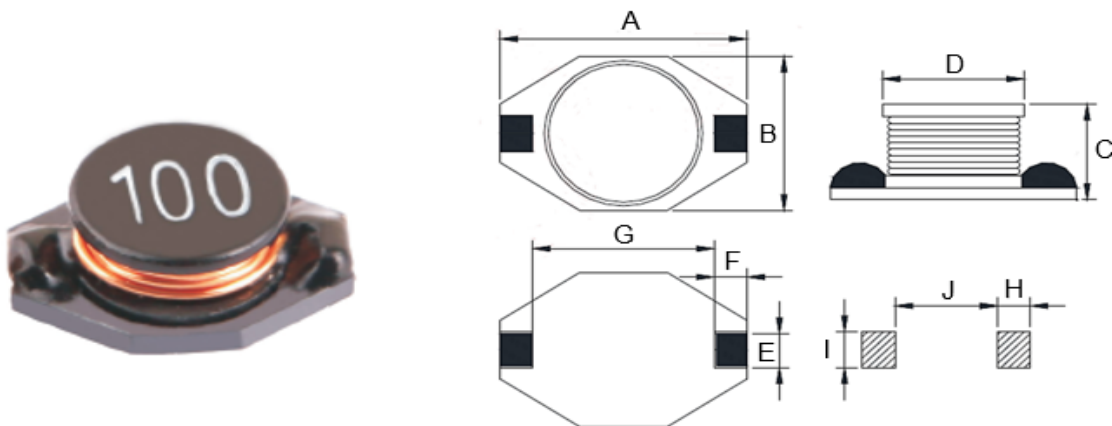
- Portable communication equipment.
- Notebook PC,digital camera,LCD television set.
- Power supply for VTR,OA equipment.
- DC/DC converters.

■ Product Identification



- (1) : Type
- (2) : Dimensions
- (3) : Inductance value
- (4) : Inductance Tolerance; N=±30%,M=±20%, K=±10%

■ Shapes and Dimensions (Unit: mm)



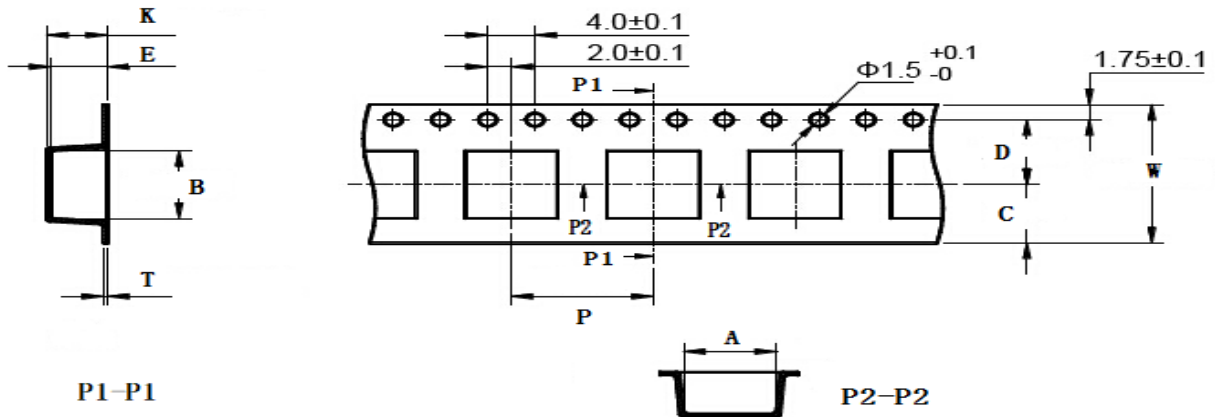
TYPE	A Max.	B Max.	C Max.	D Max.	E Ref.	F Ref.	G Ref.	H Ref.	I Ref.	J Ref.
YPO3316	12.95	9.40	5.21	8.38	2.54	2.54	7.62	2.90	3.00	7.30

■ YPO3316 Series

Part Number	Inductance (uH)	Test Freq. (KHz)	DCR MAX. (Ω)	Saturation Current (A)	Heat Rating Current (A)
YPO3316-1R0□	1.0	100	0.009	9.00	6.80
YPO3316-1R5□	1.5	100	0.010	8.00	6.40
YPO3316-2R2□	2.2	100	0.012	7.00	6.10
YPO3316-3R3□	3.3	100	0.015	6.40	5.40
YPO3316-4R7□	4.7	100	0.018	5.40	4.80
YPO3316-6R8□	6.8	100	0.027	4.60	4.40
YPO3316-100□	10	100	0.038	3.80	3.90
YPO3316-150□	15	100	0.046	3.00	3.10
YPO3316-220□	22	100	0.085	2.60	2.70
YPO3316-330□	33	100	0.100	2.00	2.10
YPO3316-470□	47	100	0.140	1.60	1.80
YPO3316-680□	68	100	0.200	1.40	1.50
YPO3316-101□	100	100	0.280	1.20	1.30
YPO3316-151□	150	100	0.400	1.00	1.00
YPO3316-221□	220	100	0.610	0.80	0.80
YPO3316-331□	330	100	1.020	0.60	0.60
YPO3316-471□	470	100	1.270	0.50	0.50
YPO3316-681□	680	100	2.020	0.40	0.40
YPO3316-102□	1000	100	3.000	0.30	0.30

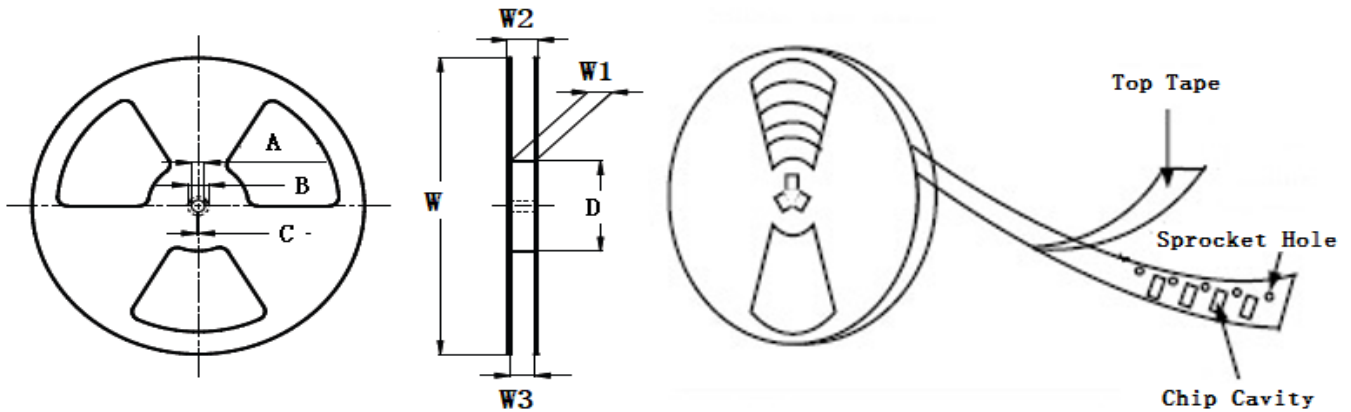
- ※ The saturation current value is the DC current value having inductance decrease down to 30%. (at 20°C)
- ※ The temperature rise current value is the DC current value having temperature increase up to 40°C. (at 20°C)
- ※ The rated current is the DC current value that satisfies both of current value saturation current value and temperature rise current value.

■ Taping Dimensions(Unit:mm)



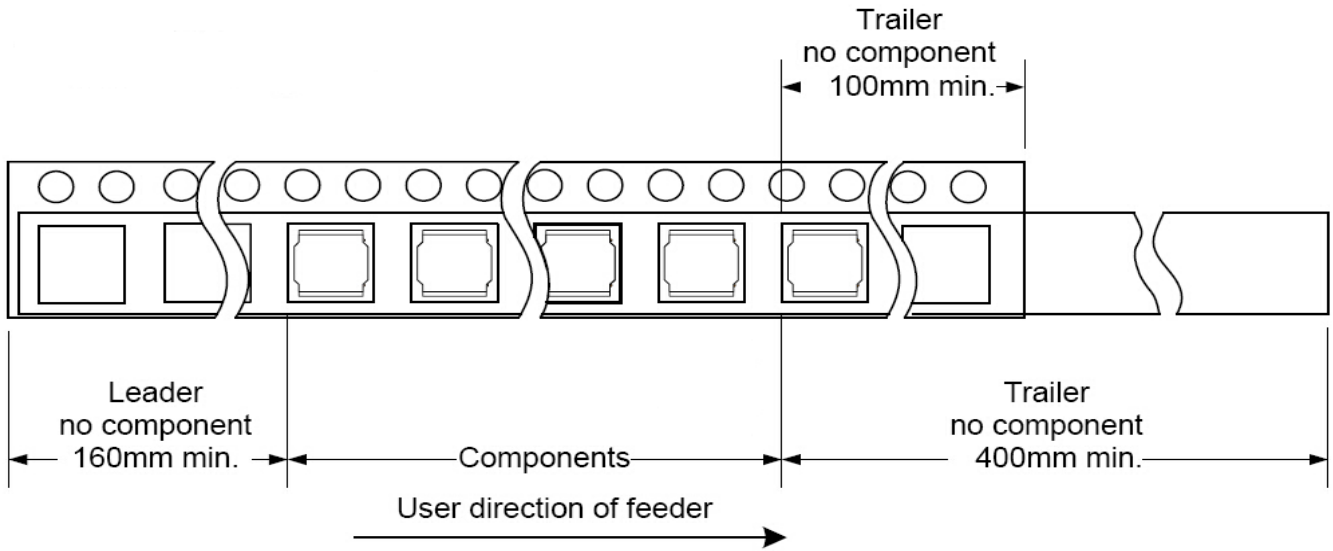
TYPE	W	A	B	C	D	E	P	K Ref	T	MPQ
YPO3316	24±0.3	9.6±0.1	13.05±0.1	10.75	11.5±0.1	5.60±0.1	12±0.1	5.80	0.35±0.05	1000

■ Reel Dimensions(Unit:mm)

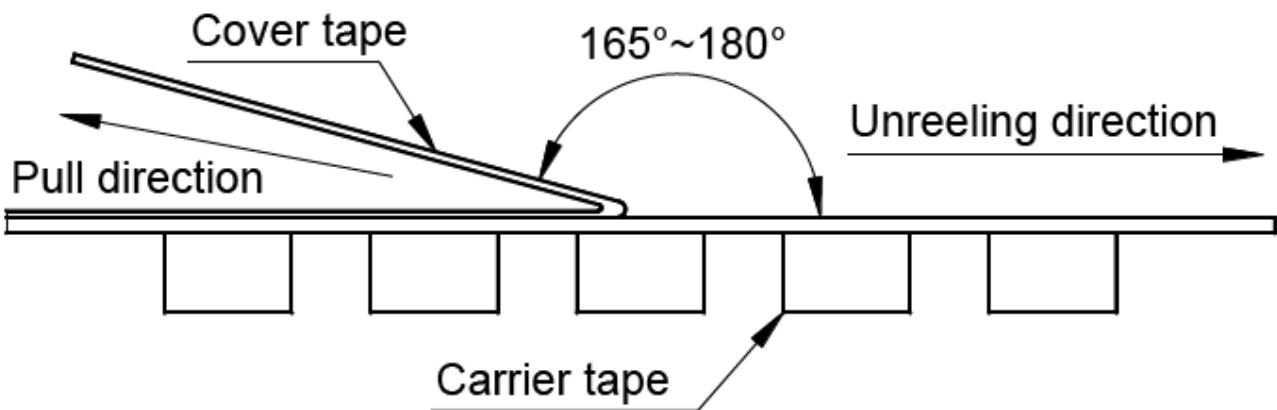


TYPE	W	W1	W2	W3	A	B	C	D
YPO3316	330±2.0	24.4±1.50	30.4MAX	23.9 Min	13.0±0.50	21.0±0.80	2.0±0.50	100 Min

Direction of rolling



Cover tape peel off condition



Cover tape peel force shall be 0.1N to 1.3N.

Reference peel speed 300±10mm/min.

X-ON Electronics

Largest Supplier of Electrical and Electronic Components

Click to view similar products for [Fixed Inductors](#) category:

Click to view products by [YJYCOIN](#) manufacturer:

Other Similar products are found below :

[CR32NP-100KC](#) [CR54NP-470LC](#) [70F224AI](#) [MGDQ4-00004-P](#) [MHQ1005P10NJ](#) [MHQ1005P1N0S](#) [MHQ1005P2N4S](#) [MHQ1005P3N6S](#)
[MHQ1005P5N1S](#) [MHQ1005P8N2J](#) [PE-53601NL](#) [PE-53602NL](#) [PG0936.113NLT](#) [9220-20](#) [9310-16](#) [PM06-2N7](#) [PM06-39NJ](#) [A01TK](#)
[1206CS-471XJ](#) [HC2-R47-R](#) [HC8-1R2-R](#) [HCF1305-3R3-R](#) [1206CS-151XG](#) [RCH664NP-140L](#) [RCH664NP-4R7M](#) [RCP1317NP-391L](#)
[RCR110DNP-331L](#) [DH2280-4R7M](#) [DS1608C-106](#) [B10TJ](#) [B82498B3101J000](#) [ELJ-RE27NJF2](#) [1812CS-153XJ](#) [1812CS-183XJ](#) [1812CS-](#)
[223XJ](#) [1812LS-104XJ](#) [1812LS-105XJ](#) [1812LS-124XJ](#) [1812LS-154XJ](#) [1812LS-223XJ](#) [1812LS-224XJ](#) [1812LS-563XJ](#) [1812LS-683XJ](#)
[1812LS-824XJ](#) [NIN-FB101JTR110F](#) [NIN-FB471JTR62F](#) [NIN-FC1R5JTR220F](#) [NIN-HCR15JTRF](#) [NIN-HCR33JTRF](#) [NIN-HDR22JTRF](#)