

■ Features

- High energy storage capacity and low DCR.
- Ferrite bobbin core and low profile,small size.
- High heat resistance,ideal for re-flow solding.
- High reliability.
- Operating temperature:-40°C ~ +125°C.

■ Applications

- Portable communication equipment.
- Notebook PC,digital camera,LCD television set.
- Power supply for VTR,OA equipment.
- DC/DC converters.

■ Product Identification

<u>YPO</u>	<u>□□□□</u> —	<u>□□□</u>	<u>□</u>
(1)	(2)	(3)	(4)

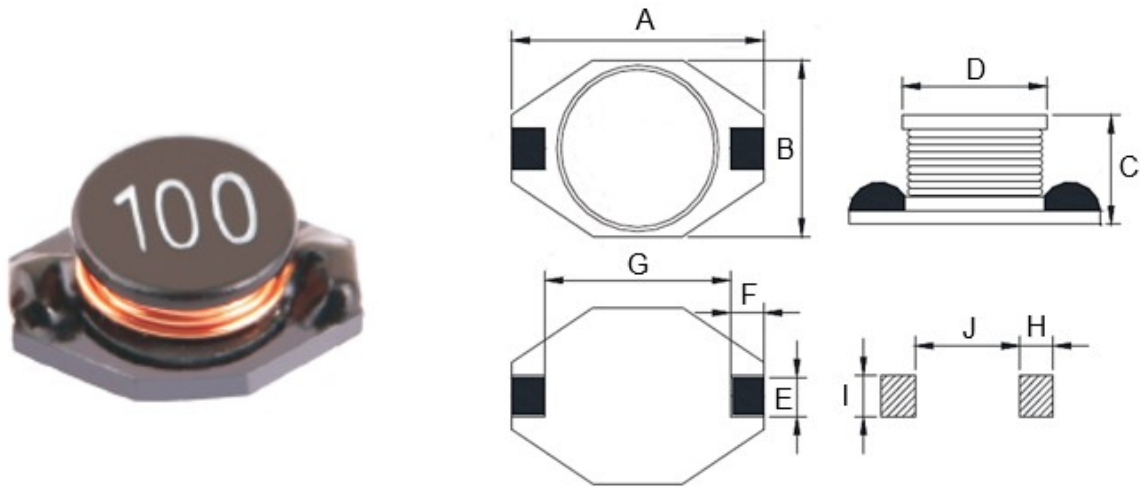
(1) : Type

(2) : Dimensions

(3) : Inductance value

(4) : Inductance Tolerance; N=±30%,M=±20%, K=±10%

Shapes and Dimensions (Unit: mm)



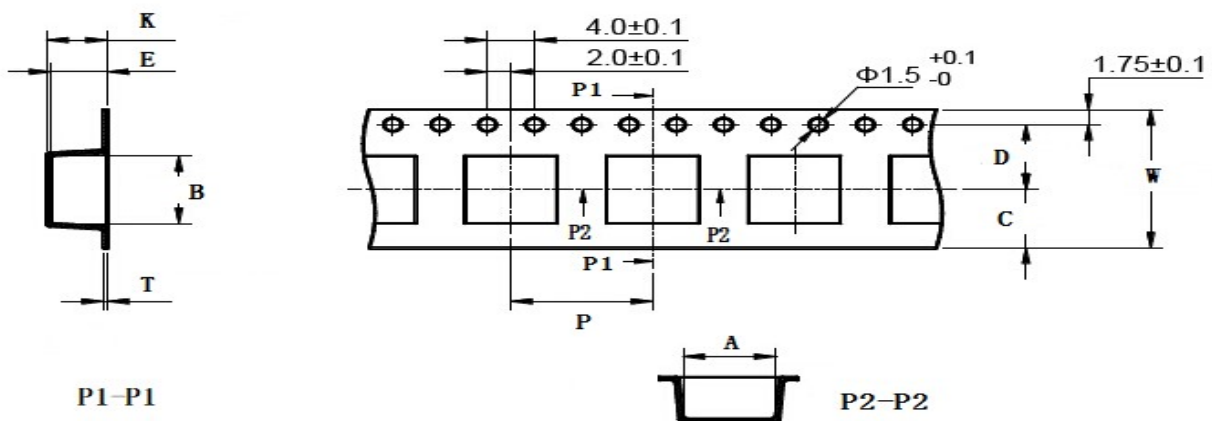
TYPE	A Max.	B Max.	C Max.	D Max.	E Ref.	F Ref.	G Ref.	H Ref.	I Ref.	J Ref.
YPO3340	12.95	9.40	11.43	8.38	2.54	2.54	7.62	2.90	3.00	7.30

YPO3340 Series

Part Number	Inductance (uH)	Test Freq. (KHz)	DCR MAX. (Ω)	Saturation Current (A)	Heat Rating Current (A)
YPO3340-100□	10	100	0.040	8.00	3.50
YPO3340-150□	15	100	0.050	7.00	3.00
YPO3340-220□	22	100	0.066	5.50	2.50
YPO3340-330□	33	100	0.080	4.00	2.00
YPO3340-470□	47	100	0.110	3.80	1.60
YPO3340-680□	68	100	0.170	3.00	1.20
YPO3340-101□	100	100	0.220	2.50	1.00
YPO3340-151□	150	100	0.340	2.00	0.90
YPO3340-221□	220	100	0.440	1.60	0.70
YPO3340-331□	330	100	0.700	1.20	0.60
YPO3340-471□	470	100	0.950	1.10	0.30
YPO3340-681□	680	100	1.200	1.00	0.20
YPO3340-102□	1000	100	2.000	0.80	0.10

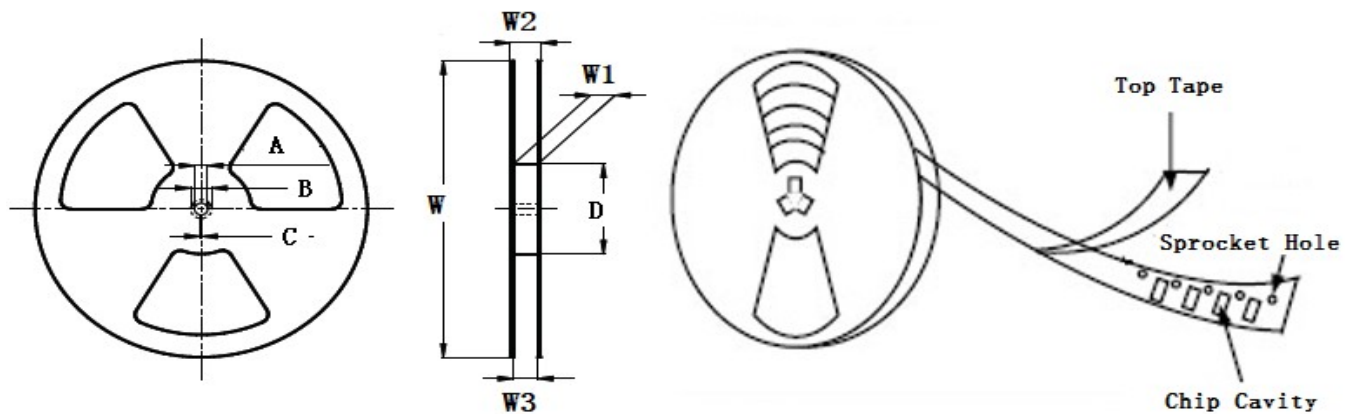
- ※ The saturation current value is the DC current value having inductance decrease down to 30%.(at 20°C)
- ※ The temperature rise current value is the DC current value having temperature increase up to 40°C. (at 20°C)
- ※ The rated current is the DC current value that satisfies both of current value saturation current value and temperature rise current value.

■ Taping Dimensions(Unit:mm)



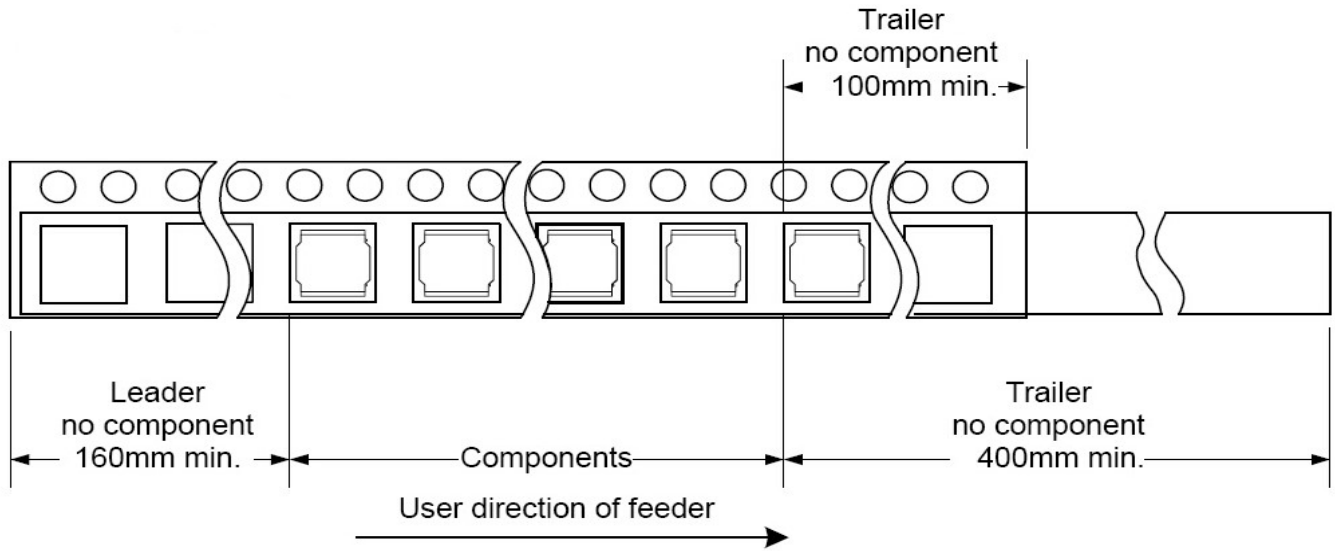
TYPE	W	A	B	C	D	E	P	K Ref	T	MPQ
YPO3340	24±0.3	9.4±0.1	13.00±0.1	10.75	11.5±0.1	11.5±0.1	16±0.1	11.70	0.40±0.05	250

■ Reel Dimensions(Unit:mm)

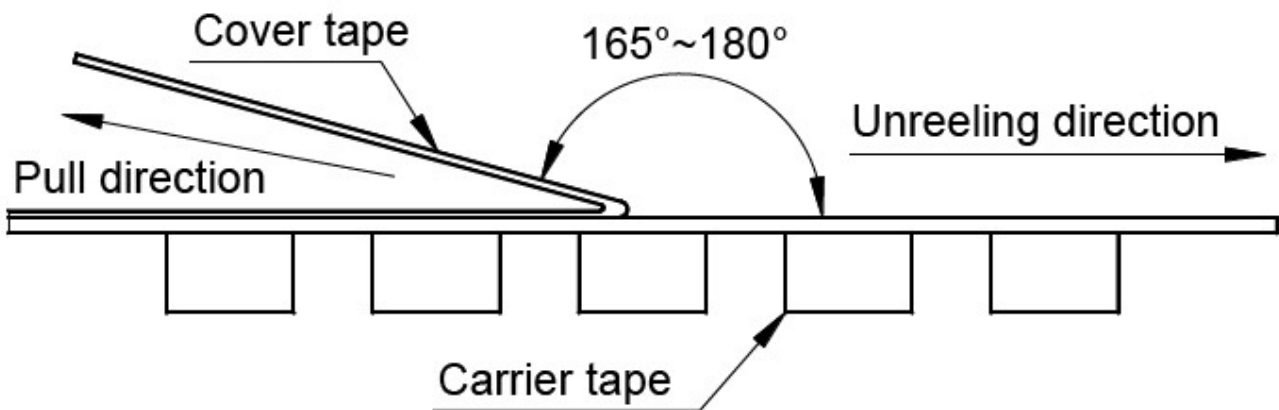


TYPE	W	W1	W2	W3	A	B	C	D
YPO3340	330±2.0	24.4±1.50	30.4MAX	23.9 Min	13.0±0.50	21.0±0.80	2.0±0.50	100 Min

Direction of rolling



Cover tape peel off condition



Cover tape peel force shall be 0.1N to 1.3N.

Reference peel speed 300±10mm/min.

X-ON Electronics

Largest Supplier of Electrical and Electronic Components

Click to view similar products for [Fixed Inductors](#) category:

Click to view products by [YJYCOIN](#) manufacturer:

Other Similar products are found below :

[CR32NP-151KC](#) [CR32NP-180KC](#) [CR32NP-181KC](#) [CR32NP-1R5MC](#) [CR32NP-390KC](#) [CR32NP-3R9MC](#) [CR32NP-680KC](#) [CR32NP-820KC](#) [CR32NP-8R2MC](#) [CR43NP-390KC](#) [CR43NP-560KC](#) [CR43NP-680KC](#) [CR54NP-181KC](#) [CR54NP-470LC](#) [CR54NP-820KC](#) [CR54NP-8R5MC](#) [70F224AI](#) [MGDQ4-00004-P](#) [MHL1ECTTP18NJ](#) [MHQ1005P10NJ](#) [MHQ1005P1N0S](#) [MHQ1005P2N4S](#) [MHQ1005P3N6S](#) [MHQ1005P5N1S](#) [MHQ1005P8N2J](#) [PE-51506NL](#) [PE-53601NL](#) [PE-53602NL](#) [PE-53630NL](#) [PE-53824SNLT](#) [PE-92100NL](#) [PG0434.801NLT](#) [PG0936.113NLT](#) [9220-20](#) [9310-16](#) [PM06-2N7](#) [PM06-39NJ](#) [A01TK](#) [1206CS-471XJ](#) [HC2LP-R47-R](#) [HC2-R47-R](#) [HC3-2R2-R](#) [HCF1305-3R3-R](#) [1206CS-151XG](#) [RCH664NP-140L](#) [RCH664NP-4R7M](#) [RCH8011NP-221L](#) [RCP1317NP-332L](#) [RCP1317NP-391L](#) [RCR1010NP-470M](#)