

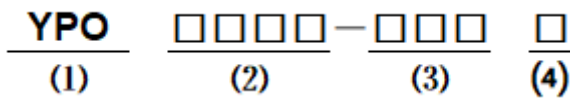
■ Features

- High energy storage capacity and low DCR.
- Ferrite bobbin core and low profile,small size.
- High heat resistance,ideal for re-flow solding.
- High reliability.
- Operating temperature:-40°C ~ +125°C.

■ Applications

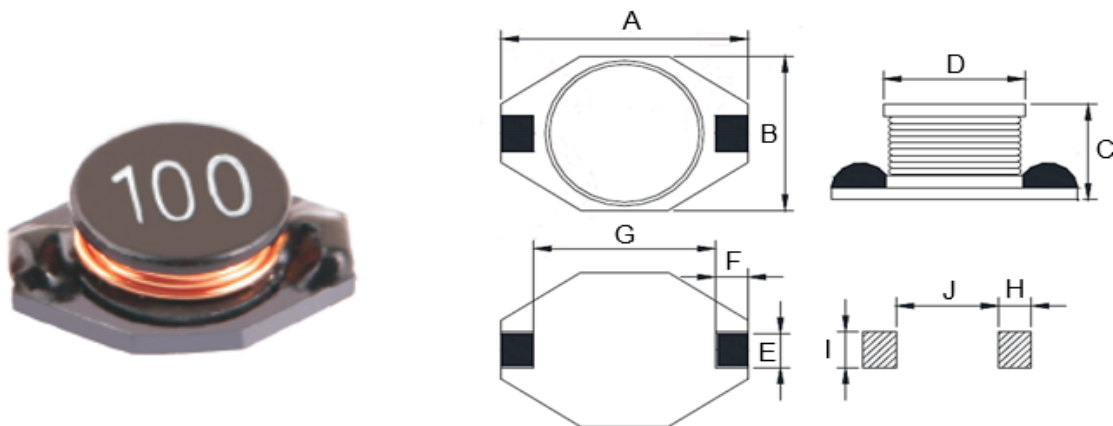
- Portable communication equipment.
- Notebook PC,digital camera,LCD television set.
- Power supply for VTR,OA equipment.
- DC/DC converters.

■ Product Identification



- (1) : Type
- (2) : Dimensions
- (3) : Inductance value
- (4) : Inductance Tolerance; N=±30%,M=±20%, K=±10%

■ Shapes and Dimensions (Unit: mm)



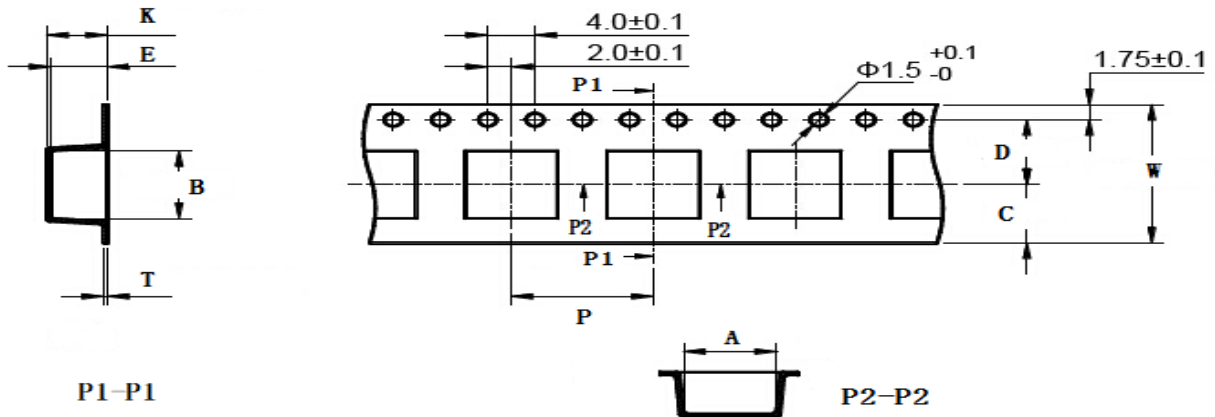
TYPE	A Max.	B Max.	C Max.	D Max.	E Ref.	F Ref.	G Ref.	H Ref.	I Ref.	J Ref.
YPO5022	18.54	15.24	7.11	12.70	2.54	2.54	12.70	2.90	3.00	12.40

■ YPO5022 Series

Part Number	Inductance (uH)	Test Freq. (KHz)	DCR MAX. (Ω)	Saturation Current (A)	Heat Rating Current (A)
YPO5022-1R0□	1.0	100	0.009	20.00	8.60
YPO5022-2R2□	2.2	100	0.014	16.00	7.10
YPO5022-3R3□	3.3	100	0.018	14.00	6.20
YPO5022-4R7□	4.7	100	0.019	13.00	5.50
YPO5022-5R6□	5.6	100	0.020	12.00	5.30
YPO5022-100□	10	100	0.031	10.00	4.30
YPO5022-150□	15	100	0.036	8.00	4.00
YPO5022-220□	22	100	0.047	7.00	3.50
YPO5022-270□	27	100	0.057	6.00	3.20
YPO5022-330□	33	100	0.066	5.50	3.00
YPO5022-470□	47	100	0.086	4.50	2.60
YPO5022-680□	68	100	0.130	3.50	2.30
YPO5022-101□	100	100	0.190	3.00	1.80
YPO5022-151□	150	100	0.250	2.60	1.50
YPO5022-221□	220	100	0.380	2.40	1.20
YPO5022-331□	330	100	0.560	2.40	1.20
YPO5022-471□	470	100	0.850	1.40	0.82
YPO5022-681□	680	100	1.100	1.20	0.72
YPO5022-102□	1000	100	1.800	1.00	0.56

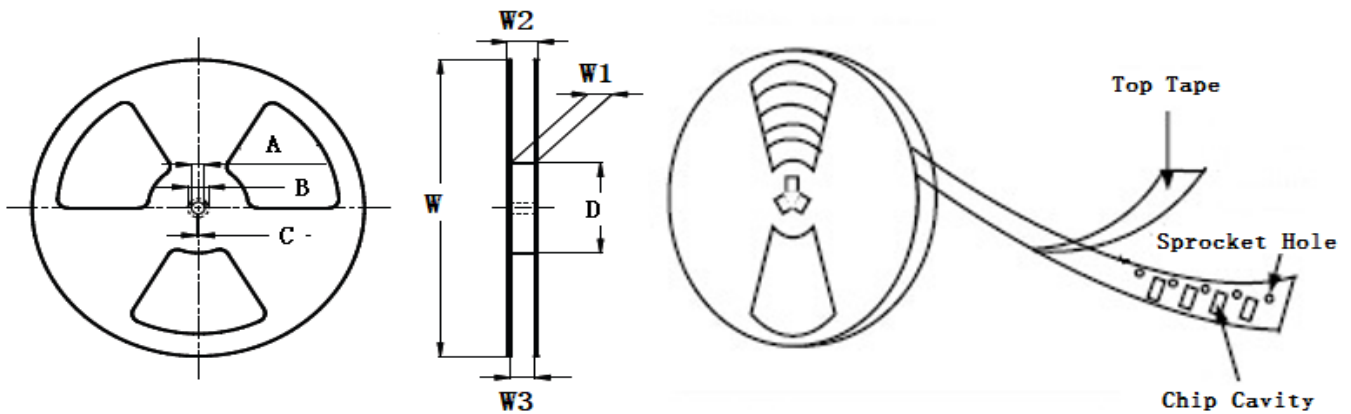
- ※ The saturation current value is the DC current value having inductance decrease down to 30%.(at 20°C)
- ※ The temperature rise current value is the DC current value having temperature increase up to 40°C. (at 20°C)
- ※ The rated current is the DC current value that satisfies both of current value saturation current value and temperature rise current value.

■ Taping Dimensions(Unit:mm)



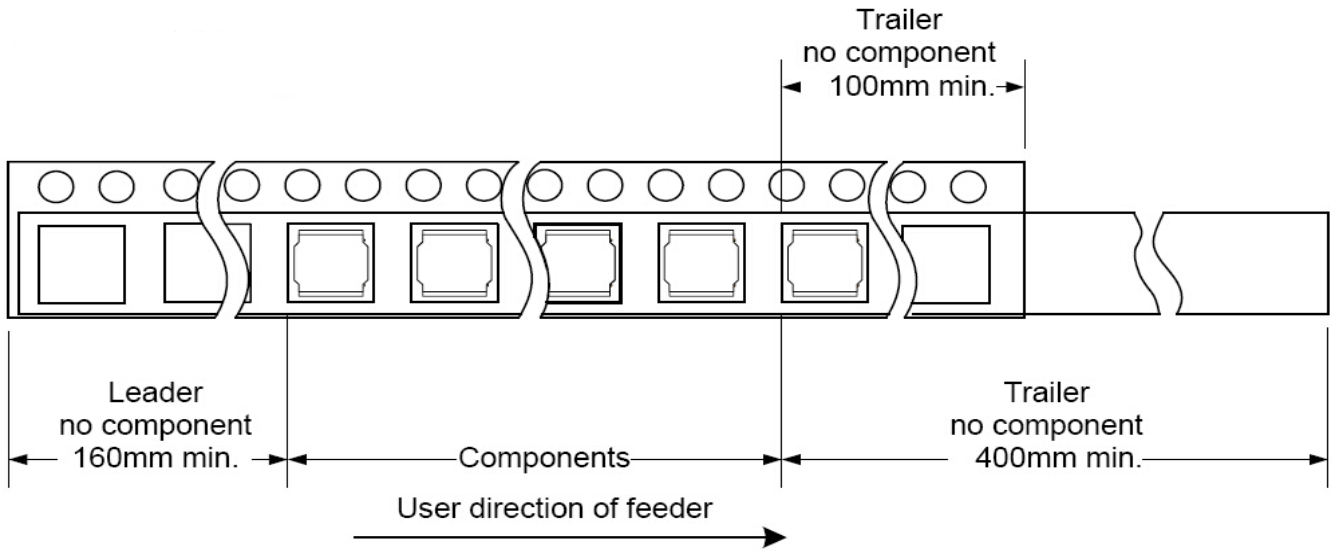
TYPE	W	A	B	C	D	E	P	K Ref	T	MPQ
YPO5022	32±0.3	15.7±0.1	18.95±0.1	16.05	14.2±0.1	7.20±0.1	20±0.1	7.40	0.35±0.05	250

■ Reel Dimensions(Unit:mm)

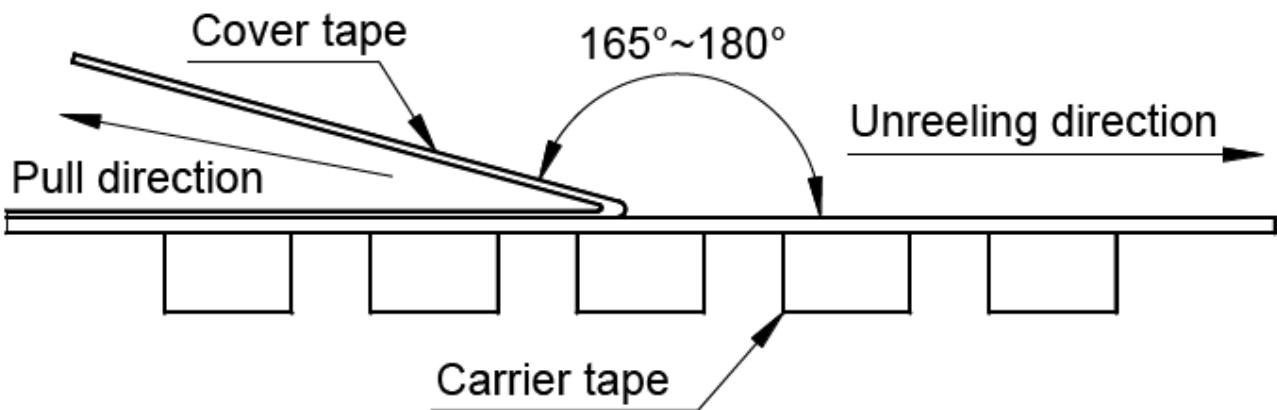


TYPE	W	W1	W2	W3	A	B	C	D
YPO5022	330±2.0	32.4±1.50	38.4MAX	31.9 Min	13.0±0.50	21.0±0.80	2.0±0.50	100 Min

Direction of rolling



Cover tape peel off condition



Cover tape peel force shall be 0.1N to 1.3N.

Reference peel speed 300±10mm/min.

X-ON Electronics

Largest Supplier of Electrical and Electronic Components

Click to view similar products for [Fixed Inductors](#) category:

Click to view products by [YJYCOIN](#) manufacturer:

Other Similar products are found below :

[CR32NP-151KC](#) [CR32NP-180KC](#) [CR32NP-181KC](#) [CR32NP-1R5MC](#) [CR32NP-390KC](#) [CR32NP-3R9MC](#) [CR32NP-680KC](#) [CR32NP-820KC](#) [CR32NP-8R2MC](#) [CR43NP-390KC](#) [CR43NP-560KC](#) [CR43NP-680KC](#) [CR54NP-181KC](#) [CR54NP-470LC](#) [CR54NP-820KC](#) [CR54NP-8R5MC](#) [70F224AI](#) [MGDQ4-00004-P](#) [MHL1ECTTP18NJ](#) [MHQ1005P10NJ](#) [MHQ1005P1N0S](#) [MHQ1005P2N4S](#) [MHQ1005P3N6S](#) [MHQ1005P5N1S](#) [MHQ1005P8N2J](#) [PE-51506NL](#) [PE-53601NL](#) [PE-53602NL](#) [PE-53630NL](#) [PE-53824SNLT](#) [PE-92100NL](#) [PG0434.801NLT](#) [PG0936.113NLT](#) [9220-20](#) [9310-16](#) [PM06-2N7](#) [PM06-39NJ](#) [A01TK](#) [1206CS-471XJ](#) [HC2LP-R47-R](#) [HC2-R47-R](#) [HC3-2R2-R](#) [HCF1305-3R3-R](#) [1206CS-151XG](#) [RCH664NP-140L](#) [RCH664NP-4R7M](#) [RCH8011NP-221L](#) [RCP1317NP-332L](#) [RCP1317NP-391L](#) [RCR1010NP-470M](#)