

## ■ Features

- High current type.
- Ferrite bobbin core and compact size.
- Low core loss for high frequency power application.
- Large terminal surface for good PCB bonding.
- Operating temperature:-40°C ~ +125°C.

## ■ Applications

- Portable communication equipment.
- Notebook PC,digital camera,LCD television set.
- Power supply for VTR,OA equipment.
- DC/DC converters.

## ■ Product Identification

YPRH    □□□□ - □□□    □  
(1)            (2)            (3)            (4)

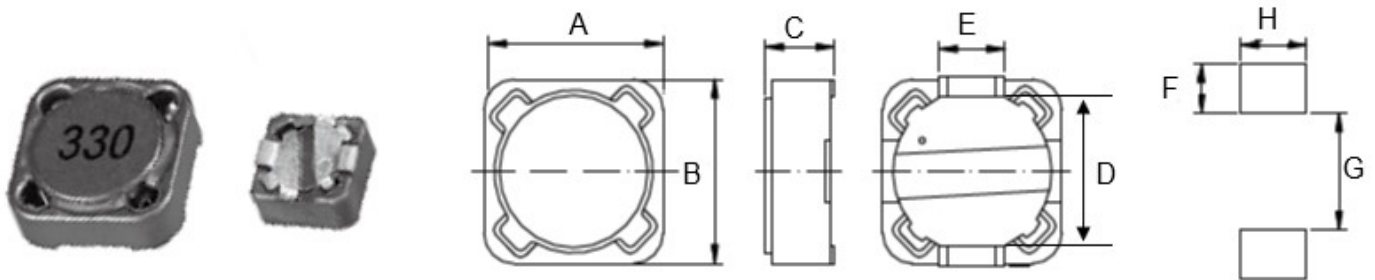
(1) : Type

(2) : Dimensions

(3) : Inductance value

(4) : Inductance Tolerance; N=±30%,M=±20%, K=±10%

## ■ Shapes and Dimensions (Unit: mm)



| TYPE     | A        | B        | C max | D        | E   | F Ref. | G Ref. | H Ref. |
|----------|----------|----------|-------|----------|-----|--------|--------|--------|
| YPRH0703 | 7.30±0.5 | 7.30±0.5 | 4.5   | 5.40±0.2 | 1.8 | 1.6    | 4.8    | 2.2    |

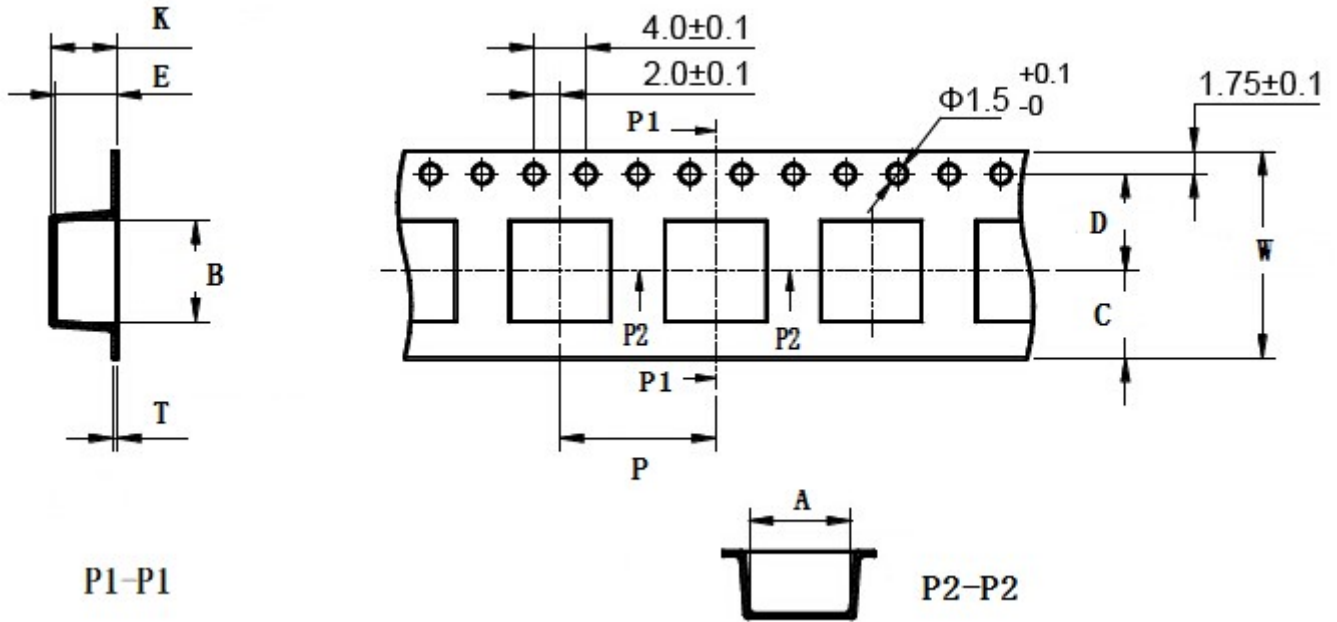
## ■ YPRH0703 Series

| Part Number   | Inductance<br>(uH) | L Test Frequency<br>(KHz) | Max.DC Resistance<br>(Ω) | MAX.Rated Current<br>(A) |
|---------------|--------------------|---------------------------|--------------------------|--------------------------|
| YPRH0703-R33□ | 0.33               | 100                       | 0.059                    | 6.94                     |
| YPRH0703-1R0□ | 1.00               | 100                       | 0.018                    | 5.20                     |
| YPRH0703-1R2□ | 1.20               | 100                       | 0.02                     | 4.20                     |
| YPRH0703-2R2□ | 2.20               | 100                       | 0.25                     | 3.50                     |
| YPRH0703-3R3□ | 3.30               | 100                       | 0.035                    | 2.50                     |
| YPRH0703-4R7□ | 4.70               | 100                       | 0.038                    | 2.26                     |
| YPRH0703-6R8□ | 6.80               | 100                       | 0.065                    | 1.81                     |
| YPRH0703-100□ | 10.0               | 100                       | 0.072                    | 1.68                     |
| YPRH0703-120□ | 12.0               | 100                       | 0.098                    | 1.52                     |
| YPRH0703-150□ | 15.0               | 100                       | 0.130                    | 1.33                     |
| YPRH0703-180□ | 18.0               | 100                       | 0.140                    | 1.20                     |
| YPRH0703-220□ | 22.0               | 100                       | 0.190                    | 1.07                     |
| YPRH0703-270□ | 27.0               | 100                       | 0.210                    | 0.96                     |
| YPRH0703-330□ | 33.0               | 100                       | 0.240                    | 0.91                     |

| Part Number   | Inductance<br>(uH) | L Test Frequency<br>(KHz) | Max.DC Resistance<br>(Ω) | MAX.Rated Current<br>(A) |
|---------------|--------------------|---------------------------|--------------------------|--------------------------|
| YPRH0703-390□ | 39.0               | 100                       | 0.320                    | 0.77                     |
| YPRH0703-470□ | 47.0               | 100                       | 0.360                    | 0.76                     |
| YPRH0703-560□ | 56.0               | 100                       | 0.470                    | 0.68                     |
| YPRH0703-680□ | 68.0               | 100                       | 0.520                    | 0.61                     |
| YPRH0703-820□ | 82.0               | 100                       | 0.690                    | 0.57                     |
| YPRH0703-101□ | 100                | 100                       | 0.790                    | 0.50                     |
| YPRH0703-121□ | 120                | 100                       | 0.890                    | 0.49                     |
| YPRH0703-151□ | 150                | 100                       | 1.270                    | 0.43                     |
| YPRH0703-181□ | 180                | 100                       | 1.450                    | 0.39                     |
| YPRH0703-221□ | 220                | 100                       | 1.650                    | 0.35                     |
| YPRH0703-271□ | 270                | 100                       | 2.310                    | 0.32                     |
| YPRH0703-331□ | 330                | 100                       | 2.620                    | 0.28                     |
| YPRH0703-391□ | 390                | 100                       | 2.940                    | 0.26                     |
| YPRH0703-471□ | 470                | 100                       | 4.180                    | 0.24                     |
| YPRH0703-561□ | 560                | 100                       | 4.670                    | 0.22                     |
| YPRH0703-681□ | 680                | 100                       | 5.730                    | 0.19                     |
| YPRH0703-821□ | 820                | 100                       | 6.540                    | 0.18                     |
| YPRH0703-102□ | 1000               | 100                       | 9.440                    | 0.16                     |

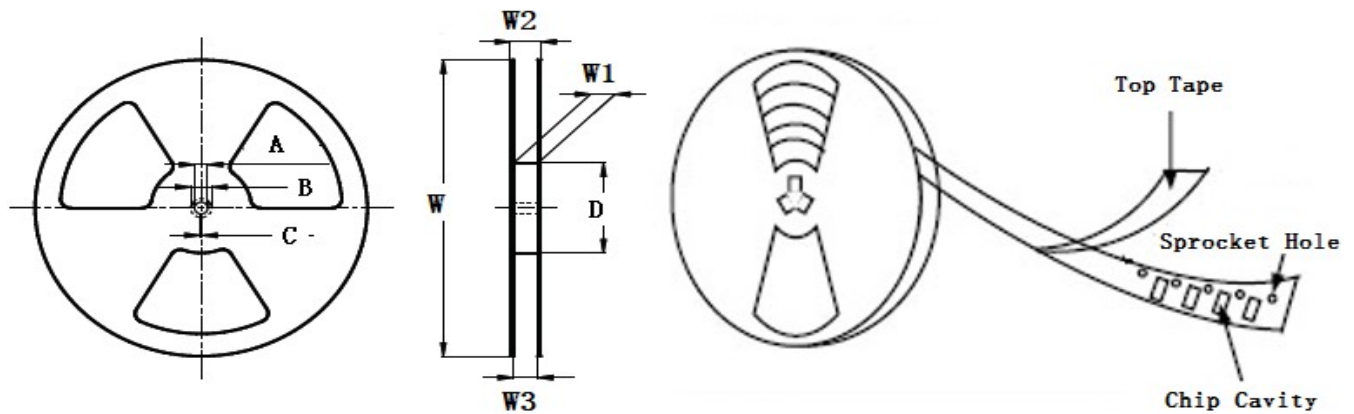
- ※ The saturation current value is the DC current value having inductance decrease down to 30%.(at 20°C)
- ※ The temperature rise current value is the DC current value having temperature increase up to 40°C. (at 20°C)
- ※ The rated current is the DC current value that satisfies both of current value saturation current value and temperature rise current value.

**■ Taping Dimensions(Unit:mm)**



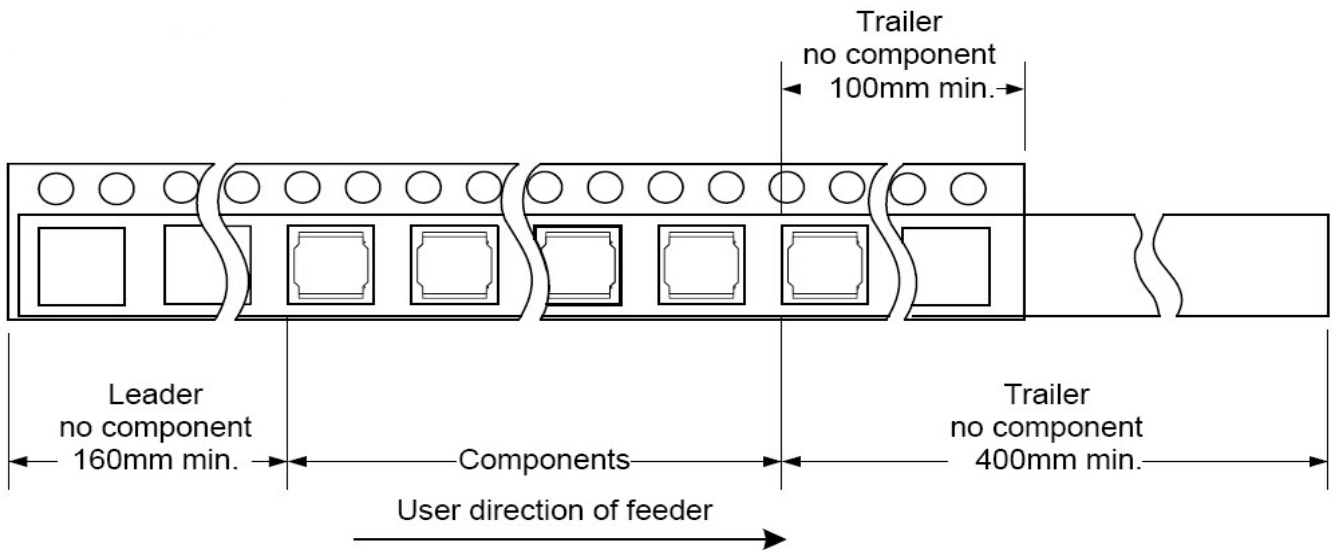
| TYPE     | MPQ  | W      | A       | B       | C    | D       | E        | P      | K        | T         |
|----------|------|--------|---------|---------|------|---------|----------|--------|----------|-----------|
| YPRH0703 | 1000 | 16±0.3 | 7.7±0.1 | 7.7±0.1 | 6.75 | 7.5±0.1 | 3.65±0.1 | 12±0.1 | 3.85 Ref | 0.35±0.05 |

**■ Reel Dimensions(Unit:mm)**

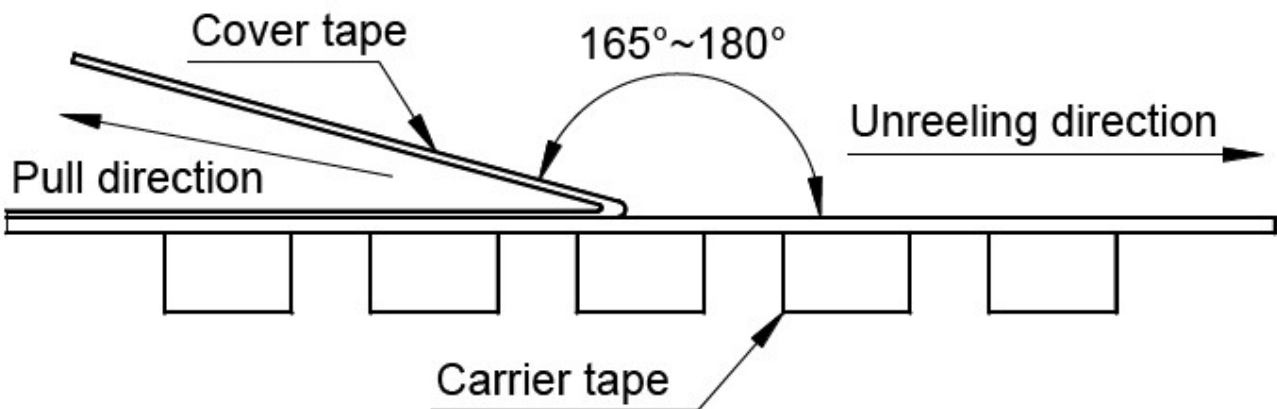


| TYPE     | W        | W1        | W2        | W3        | A         | B         | C        | D       |
|----------|----------|-----------|-----------|-----------|-----------|-----------|----------|---------|
| YPRH0703 | 330±2.00 | 16.4±1.50 | 22.40 Max | 15.90 Min | 13.0±0.50 | 21.0±0.80 | 2.0±0.50 | 100 Min |

**Direction of rolling**



**Cover tape peel off condition**



Cover tape peel force shall be 0.1N to 1.3N.

Reference peel speed 300±10mm/min.

## X-ON Electronics

Largest Supplier of Electrical and Electronic Components

*Click to view similar products for [Fixed Inductors](#) category:*

*Click to view products by [YJYCOIN](#) manufacturer:*

Other Similar products are found below :

[MLZ1608M6R8WTD25](#) [MLZ1608N6R8LT000](#) [MLZ1608N3R3LTD25](#) [MLZ1608N3R3LT000](#) [MLZ1608N150LT000](#)  
[MLZ1608M150WTD25](#) [MLZ1608M3R3WTD25](#) [MLZ1608M3R3WT000](#) [MLZ1608M150WT000](#) [MLZ1608A1R5WT000](#)  
[MLZ1608N1R5LT000](#) [B82432C1333K000](#) [PCMB053T-1R0MS](#) [PCMB053T-1R5MS](#) [PCMB104T-1R5MS](#) [CR32NP-100KC](#) [CR32NP-151KC](#) [CR32NP-180KC](#) [CR32NP-181KC](#) [CR32NP-1R5MC](#) [CR32NP-390KC](#) [CR32NP-3R9MC](#) [CR32NP-680KC](#) [CR32NP-820KC](#)  
[CR32NP-8R2MC](#) [CR43NP-390KC](#) [CR43NP-560KC](#) [CR43NP-680KC](#) [CR54NP-181KC](#) [CR54NP-470LC](#) [CR54NP-820KC](#) [CR54NP-8R5MC](#)  
[MGDQ4-00004-P](#) [MGDU1-00016-P](#) [MHL1ECTTP18NJ](#) [MHL1JCTTD12NJ](#) [PE-51506NL](#) [PE-53601NL](#) [PE-53630NL](#) [PE-53824SNLT](#) [PE-62892NL](#) [PE-92100NL](#) [PG0434.801NLT](#) [PG0936.113NLT](#) [PM06-2N7](#) [PM06-39NJ](#) [HC2LP-R47-R](#) [HC2-R47-R](#) [HC3-2R2-R](#) [HC8-1R2-R](#)