

■ Features

- High current type.
- Ferrite bobbin core and compact size.
- Low core loss for high frequency power application.
- Large terminal surface for good PCB bonding.
- Operating temperature: -40°C ~ +125°C.

■ Applications

- Portable communication equipment.
- Notebook PC, digital camera, LCD television set.
- Power supply for VTR, OA equipment.
- DC/DC converters.

■ Product Identification

YPRH □□□□ - □□□ □
(1) (2) (3) (4)

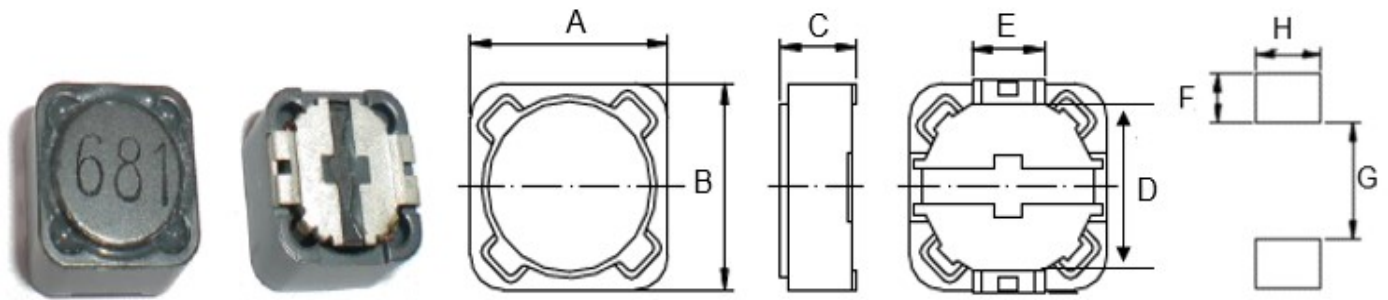
(1) : Type

(2) : Dimensions

(3) : Inductance value

(4) : Inductance Tolerance; N=±30%, M=±20%, K=±10%

■ Shapes and Dimensions (Unit: mm)



| TYPE | A | B | C max | D | E | F Ref. | G Ref. | H Ref. |
|----------|----------|----------|-------|----------|-----|--------|--------|--------|
| YPRH1205 | 12.0±0.5 | 12.0±0.5 | 6.0 | 7.60±0.2 | 5.0 | 2.8 | 7.0 | 5.4 |

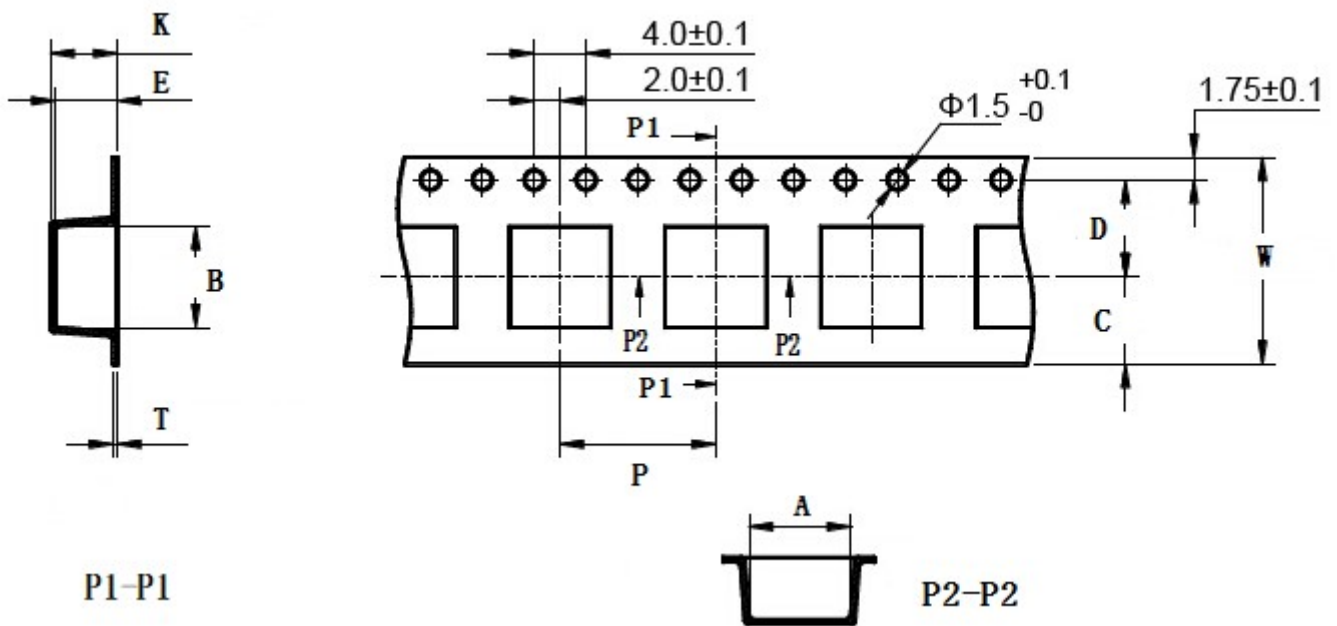
■ YPRH1205 Series

| Part Number | Inductance (uH) | L Test Frequency (KHz) | Max.DC Resistance (Ω) | MAX.Rated Current (A) |
|---------------|--------------------|---------------------------|--------------------------|--------------------------|
| YPRH1205-1R0□ | 1.00 | 100 | 0.012 | 8.00 |
| YPRH1205-1R3□ | 1.30 | 100 | 0.012 | 8.00 |
| YPRH1205-1R5□ | 1.50 | 100 | 0.013 | 7.70 |
| YPRH1205-1R8□ | 1.80 | 100 | 0.014 | 7.40 |
| YPRH1205-2R1□ | 2.10 | 100 | 0.014 | 7.00 |
| YPRH1205-2R2□ | 2.20 | 100 | 0.015 | 7.00 |
| YPRH1205-2R5□ | 2.50 | 100 | 0.017 | 6.40 |
| YPRH1205-3R0□ | 3.00 | 100 | 0.018 | 5.80 |
| YPRH1205-3R3□ | 3.30 | 100 | 0.019 | 5.40 |
| YPRH1205-4R4□ | 4.40 | 100 | 0.020 | 5.00 |
| YPRH1205-4R7□ | 4.70 | 100 | 0.020 | 4.80 |
| YPRH1205-5R6□ | 5.60 | 100 | 0.021 | 4.40 |
| YPRH1205-6R8□ | 6.80 | 100 | 0.022 | 4.30 |
| YPRH1205-7R5□ | 7.50 | 100 | 0.024 | 4.20 |
| YPRH1205-7R7□ | 7.70 | 100 | 0.024 | 4.20 |
| YPRH1205-8R2□ | 8.20 | 100 | 0.025 | 4.10 |

| Part Number | Inductance (μ H) | L Test Frequency (KHz) | Max.DC Resistance (Ω) | MAX.Rated Current (A) |
|---------------|--------------------------|---------------------------|-----------------------------------|--------------------------|
| YPRH1205-100□ | 10.0 | 100 | 0.025 | 4.00 |
| YPRH1205-120□ | 12.0 | 100 | 0.027 | 3.50 |
| YPRH1205-150□ | 15.0 | 100 | 0.030 | 3.30 |
| YPRH1205-180□ | 18.0 | 100 | 0.034 | 3.00 |
| YPRH1205-220□ | 22.0 | 100 | 0.036 | 2.80 |
| YPRH1205-270□ | 27.0 | 100 | 0.051 | 2.30 |
| YPRH1205-330□ | 33.0 | 100 | 0.060 | 2.10 |
| YPRH1205-390□ | 39.0 | 100 | 0.068 | 2.00 |
| YPRH1205-470□ | 47.0 | 100 | 0.075 | 1.80 |
| YPRH1205-560□ | 56.0 | 100 | 0.110 | 1.70 |
| YPRH1205-680□ | 68.0 | 100 | 0.120 | 1.50 |
| YPRH1205-820□ | 82.0 | 100 | 0.140 | 1.40 |
| YPRH1205-101□ | 100 | 100 | 0.160 | 1.30 |
| YPRH1205-121□ | 120 | 100 | 0.170 | 1.10 |
| YPRH1205-151□ | 150 | 100 | 0.230 | 1.00 |
| YPRH1205-181□ | 180 | 100 | 0.290 | 0.90 |
| YPRH1205-221□ | 220 | 100 | 0.400 | 0.80 |
| YPRH1205-271□ | 270 | 100 | 0.460 | 0.75 |
| YPRH1205-331□ | 330 | 100 | 0.510 | 0.68 |
| YPRH1205-391□ | 390 | 100 | 0.690 | 0.65 |
| YPRH1205-471□ | 470 | 100 | 0.770 | 0.58 |
| YPRH1205-561□ | 560 | 100 | 0.860 | 0.54 |
| YPRH1205-681□ | 680 | 100 | 1.200 | 0.48 |
| YPRH1205-821□ | 820 | 100 | 1.340 | 0.43 |
| YPRH1205-102□ | 1000 | 100 | 1.530 | 0.40 |
| YPRH1205-103□ | 10000 | 100 | 18.000 | 0.06 |

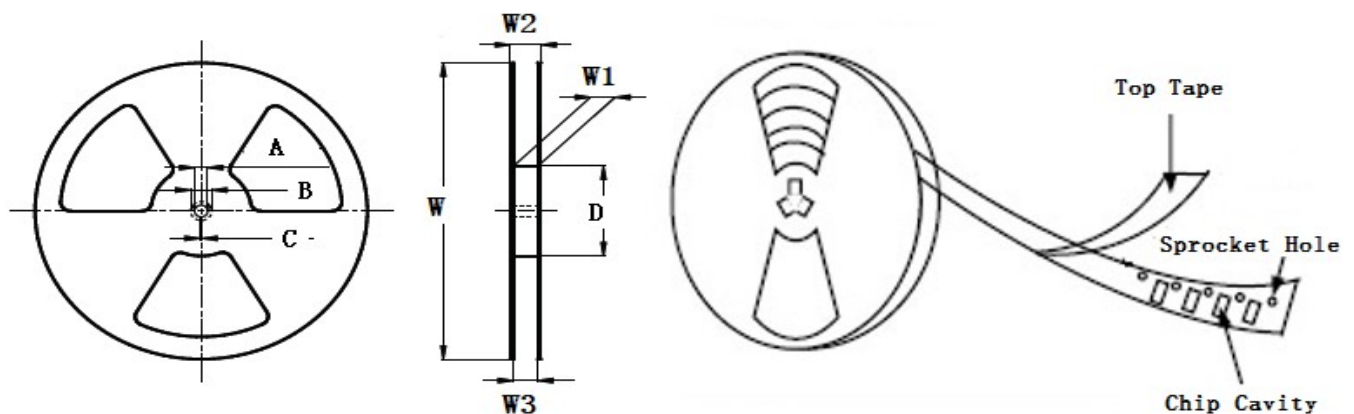
- ※ The saturation current value is the DC current value having inductance decrease down to 30%.(at 20°C)
- ※ The temperature rise current value is the DC current value having temperature increase up to 40°C. (at 20°C)
- ※ The rated current is the DC current value that satisfies both of current value saturation current value and temperature rise current value.

■ Taping Dimensions(Unit:mm)



| TYPE | MPQ | W | A | B | C | D | E | P | K | T |
|----------|-----|--------|----------|----------|-------|----------|---------|--------|---------|----------|
| YPRH1205 | 500 | 24±0.3 | 12.6±0.1 | 12.6±0.1 | 10.75 | 11.5±0.1 | 6.1±0.1 | 16±0.1 | 6.3 Ref | 0.4±0.05 |

■ Reel Dimensions(Unit:mm)



| TYPE | W | W1 | W2 | W3 | A | B | C | D |
|----------|----------|-----------|-----------|-----------|-----------|-----------|----------|---------|
| YPRH1205 | 330±2.00 | 24.4±1.50 | 30.40 Max | 23.90 Min | 13.0±0.50 | 21.0±0.80 | 2.0±0.50 | 100 Min |

Direction of rolling



Cover tape peel off condition



Cover tape peel force shall be 0.1N to 1.3N.

Reference peel speed 300 ± 10 mm/min.

X-ON Electronics

Largest Supplier of Electrical and Electronic Components

Click to view similar products for [Fixed Inductors](#) category:

Click to view products by [YJYCOIN](#) manufacturer:

Other Similar products are found below :

[MLZ1608M6R8WTD25](#) [MLZ1608N6R8LT000](#) [MLZ1608N3R3LTD25](#) [MLZ1608N3R3LT000](#) [MLZ1608N150LT000](#)
[MLZ1608M150WTD25](#) [MLZ1608M3R3WTD25](#) [MLZ1608M3R3WT000](#) [MLZ1608M150WT000](#) [MLZ1608A1R5WT000](#)
[MLZ1608N1R5LT000](#) [B82432C1333K000](#) [PCMB053T-1R0MS](#) [PCMB053T-1R5MS](#) [PCMB104T-1R5MS](#) [CR32NP-100KC](#) [CR32NP-151KC](#) [CR32NP-180KC](#) [CR32NP-181KC](#) [CR32NP-1R5MC](#) [CR32NP-390KC](#) [CR32NP-3R9MC](#) [CR32NP-680KC](#) [CR32NP-820KC](#)
[CR32NP-8R2MC](#) [CR43NP-390KC](#) [CR43NP-560KC](#) [CR43NP-680KC](#) [CR54NP-181KC](#) [CR54NP-470LC](#) [CR54NP-820KC](#) [CR54NP-8R5MC](#)
[MGDQ4-00004-P](#) [MGDU1-00016-P](#) [MHL1ECTTP18NJ](#) [MHL1JCTTD12NJ](#) [PE-51506NL](#) [PE-53601NL](#) [PE-53630NL](#) [PE-53824SNLT](#) [PE-62892NL](#) [PE-92100NL](#) [PG0434.801NLT](#) [PG0936.113NLT](#) [PM06-2N7](#) [PM06-39NJ](#) [HC2LP-R47-R](#) [HC2-R47-R](#) [HC3-2R2-R](#) [HC8-1R2-R](#)