

## ■ Features

- High current type.
- Ferrite bobbin core and compact size.
- Low core loss for high frequency power application.
- Large terminal surface for good PCB bonding.
- Operating temperature: -40°C ~ +125°C.

## ■ Applications

- Portable communication equipment.
- Notebook PC, digital camera, LCD television set.
- Power supply for VTR, OA equipment.
- DC/DC converters.

## ■ Product Identification

YPRH    □□□□ - □□□    □  
(1)            (2)            (3)            (4)

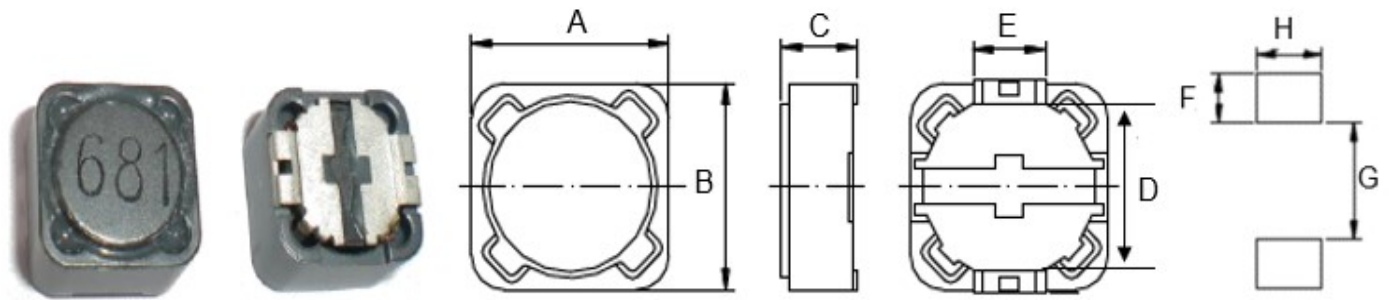
(1) : Type

(2) : Dimensions

(3) : Inductance value

(4) : Inductance Tolerance; N=±30%, M=±20%, K=±10%

## ■ Shapes and Dimensions (Unit: mm)



| TYPE     | A        | B        | C max | D        | E   | F Ref. | G Ref. | H Ref. |
|----------|----------|----------|-------|----------|-----|--------|--------|--------|
| YPRH1205 | 12.0±0.5 | 12.0±0.5 | 6.0   | 7.60±0.2 | 5.0 | 2.8    | 7.0    | 5.4    |

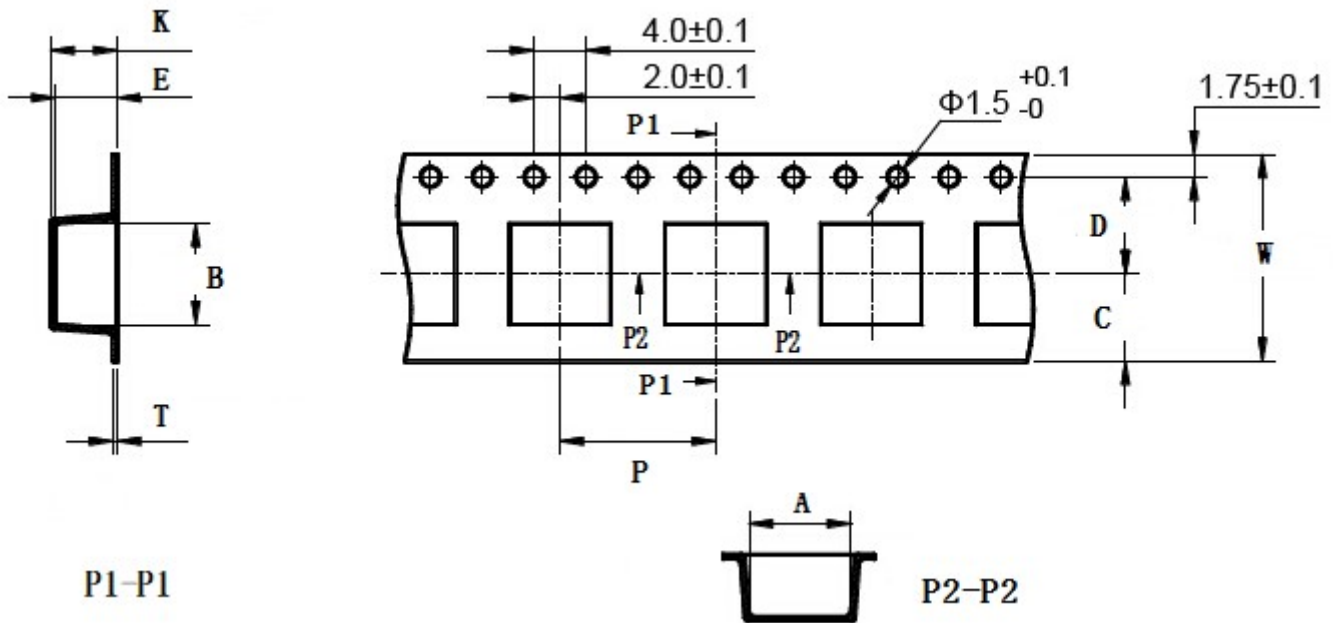
## ■ YPRH1205 Series

| Part Number   | Inductance<br>(uH) | L Test Frequency<br>(KHz) | Max.DC Resistance<br>(Ω) | MAX.Rated Current<br>(A) |
|---------------|--------------------|---------------------------|--------------------------|--------------------------|
| YPRH1205-1R0□ | 1.00               | 100                       | 0.012                    | 8.00                     |
| YPRH1205-1R3□ | 1.30               | 100                       | 0.012                    | 8.00                     |
| YPRH1205-1R5□ | 1.50               | 100                       | 0.013                    | 7.70                     |
| YPRH1205-1R8□ | 1.80               | 100                       | 0.014                    | 7.40                     |
| YPRH1205-2R1□ | 2.10               | 100                       | 0.014                    | 7.00                     |
| YPRH1205-2R2□ | 2.20               | 100                       | 0.015                    | 7.00                     |
| YPRH1205-2R5□ | 2.50               | 100                       | 0.017                    | 6.40                     |
| YPRH1205-3R0□ | 3.00               | 100                       | 0.018                    | 5.80                     |
| YPRH1205-3R3□ | 3.30               | 100                       | 0.019                    | 5.40                     |
| YPRH1205-4R4□ | 4.40               | 100                       | 0.020                    | 5.00                     |
| YPRH1205-4R7□ | 4.70               | 100                       | 0.020                    | 4.80                     |
| YPRH1205-5R6□ | 5.60               | 100                       | 0.021                    | 4.40                     |
| YPRH1205-6R8□ | 6.80               | 100                       | 0.022                    | 4.30                     |
| YPRH1205-7R5□ | 7.50               | 100                       | 0.024                    | 4.20                     |
| YPRH1205-7R7□ | 7.70               | 100                       | 0.024                    | 4.20                     |
| YPRH1205-8R2□ | 8.20               | 100                       | 0.025                    | 4.10                     |

| Part Number   | Inductance<br>( $\mu$ H) | L Test Frequency<br>(KHz) | Max.DC Resistance<br>( $\Omega$ ) | MAX.Rated Current<br>(A) |
|---------------|--------------------------|---------------------------|-----------------------------------|--------------------------|
| YPRH1205-100□ | 10.0                     | 100                       | 0.025                             | 4.00                     |
| YPRH1205-120□ | 12.0                     | 100                       | 0.027                             | 3.50                     |
| YPRH1205-150□ | 15.0                     | 100                       | 0.030                             | 3.30                     |
| YPRH1205-180□ | 18.0                     | 100                       | 0.034                             | 3.00                     |
| YPRH1205-220□ | 22.0                     | 100                       | 0.036                             | 2.80                     |
| YPRH1205-270□ | 27.0                     | 100                       | 0.051                             | 2.30                     |
| YPRH1205-330□ | 33.0                     | 100                       | 0.060                             | 2.10                     |
| YPRH1205-390□ | 39.0                     | 100                       | 0.068                             | 2.00                     |
| YPRH1205-470□ | 47.0                     | 100                       | 0.075                             | 1.80                     |
| YPRH1205-560□ | 56.0                     | 100                       | 0.110                             | 1.70                     |
| YPRH1205-680□ | 68.0                     | 100                       | 0.120                             | 1.50                     |
| YPRH1205-820□ | 82.0                     | 100                       | 0.140                             | 1.40                     |
| YPRH1205-101□ | 100                      | 100                       | 0.160                             | 1.30                     |
| YPRH1205-121□ | 120                      | 100                       | 0.170                             | 1.10                     |
| YPRH1205-151□ | 150                      | 100                       | 0.230                             | 1.00                     |
| YPRH1205-181□ | 180                      | 100                       | 0.290                             | 0.90                     |
| YPRH1205-221□ | 220                      | 100                       | 0.400                             | 0.80                     |
| YPRH1205-271□ | 270                      | 100                       | 0.460                             | 0.75                     |
| YPRH1205-331□ | 330                      | 100                       | 0.510                             | 0.68                     |
| YPRH1205-391□ | 390                      | 100                       | 0.690                             | 0.65                     |
| YPRH1205-471□ | 470                      | 100                       | 0.770                             | 0.58                     |
| YPRH1205-561□ | 560                      | 100                       | 0.860                             | 0.54                     |
| YPRH1205-681□ | 680                      | 100                       | 1.200                             | 0.48                     |
| YPRH1205-821□ | 820                      | 100                       | 1.340                             | 0.43                     |
| YPRH1205-102□ | 1000                     | 100                       | 1.530                             | 0.40                     |
| YPRH1205-103□ | 10000                    | 100                       | 18.000                            | 0.06                     |

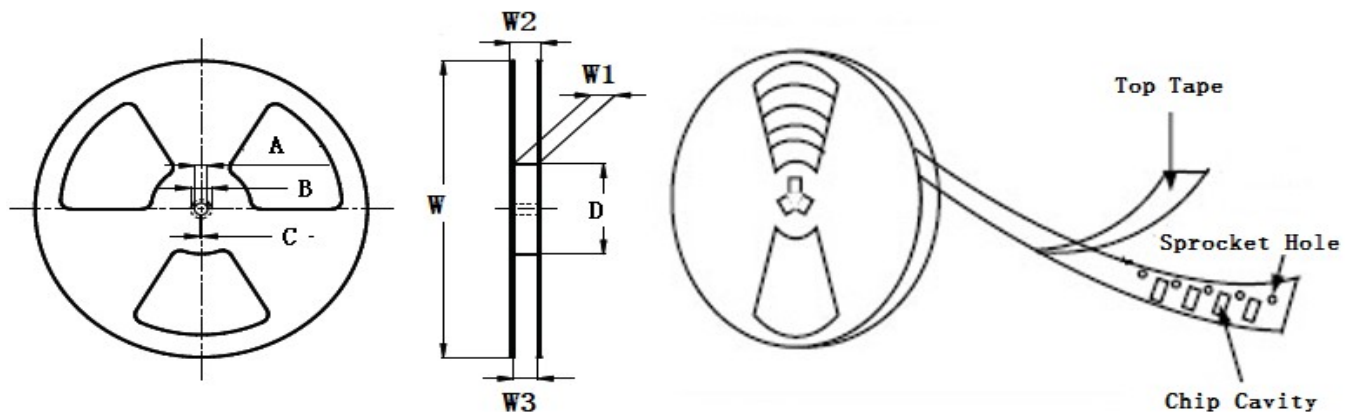
- ※ The saturation current value is the DC current value having inductance decrease down to 30%.(at 20°C)
- ※ The temperature rise current value is the DC current value having temperature increase up to 40°C. (at 20°C)
- ※ The rated current is the DC current value that satisfies both of current value saturation current value and temperature rise current value.

**■ Taping Dimensions(Unit:mm)**



| TYPE     | MPQ | W      | A        | B        | C     | D        | E       | P      | K       | T        |
|----------|-----|--------|----------|----------|-------|----------|---------|--------|---------|----------|
| YPRH1205 | 500 | 24±0.3 | 12.6±0.1 | 12.6±0.1 | 10.75 | 11.5±0.1 | 6.1±0.1 | 16±0.1 | 6.3 Ref | 0.4±0.05 |

**■ Reel Dimensions(Unit:mm)**



| TYPE     | W        | W1        | W2        | W3        | A         | B         | C        | D       |
|----------|----------|-----------|-----------|-----------|-----------|-----------|----------|---------|
| YPRH1205 | 330±2.00 | 24.4±1.50 | 30.40 Max | 23.90 Min | 13.0±0.50 | 21.0±0.80 | 2.0±0.50 | 100 Min |

**Direction of rolling**



**Cover tape peel off condition**



Cover tape peel force shall be 0.1N to 1.3N.

Reference peel speed 300±10mm/min.

## X-ON Electronics

Largest Supplier of Electrical and Electronic Components

*Click to view similar products for [Fixed Inductors](#) category:*

*Click to view products by [YJYCOIN](#) manufacturer:*

Other Similar products are found below :

[MLZ1608M6R8WTD25](#) [MLZ1608N6R8LT000](#) [MLZ1608N3R3LTD25](#) [MLZ1608N3R3LT000](#) [MLZ1608N150LT000](#)  
[MLZ1608M150WTD25](#) [MLZ1608M3R3WTD25](#) [MLZ1608M3R3WT000](#) [MLZ1608M150WT000](#) [MLZ1608A1R5WT000](#)  
[MLZ1608N1R5LT000](#) [B82432C1333K000](#) [PCMB053T-1R0MS](#) [PCMB053T-1R5MS](#) [PCMB104T-1R5MS](#) [CR32NP-100KC](#) [CR32NP-151KC](#) [CR32NP-180KC](#) [CR32NP-181KC](#) [CR32NP-1R5MC](#) [CR32NP-390KC](#) [CR32NP-3R9MC](#) [CR32NP-680KC](#) [CR32NP-820KC](#)  
[CR32NP-8R2MC](#) [CR43NP-390KC](#) [CR43NP-560KC](#) [CR43NP-680KC](#) [CR54NP-181KC](#) [CR54NP-470LC](#) [CR54NP-820KC](#) [CR54NP-8R5MC](#)  
[MGDQ4-00004-P](#) [MGDU1-00016-P](#) [MHL1ECTTP18NJ](#) [MHL1JCTTD12NJ](#) [PE-51506NL](#) [PE-53601NL](#) [PE-53630NL](#) [PE-53824SNLT](#) [PE-62892NL](#) [PE-92100NL](#) [PG0434.801NLT](#) [PG0936.113NLT](#) [PM06-2N7](#) [PM06-39NJ](#) [HC2LP-R47-R](#) [HC2-R47-R](#) [HC3-2R2-R](#) [HC8-1R2-R](#)