

■ Features

- High current type.
- Ferrite bobbin core and compact size.
- Low core loss for high frequency power application.
- Large terminal surface for good PCB bonding.
- Operating temperature: -40°C ~ +125°C.

■ Applications

- Portable communication equipment.
- Notebook PC, digital camera, LCD television set.
- Power supply for VTR, OA equipment.
- DC/DC converters.

■ Product Identification

$\frac{\text{YPRH}}{(1)}$ $\frac{\square\square\square\square}{(2)}$ - $\frac{\square\square\square}{(3)}$ $\frac{\square}{(4)}$

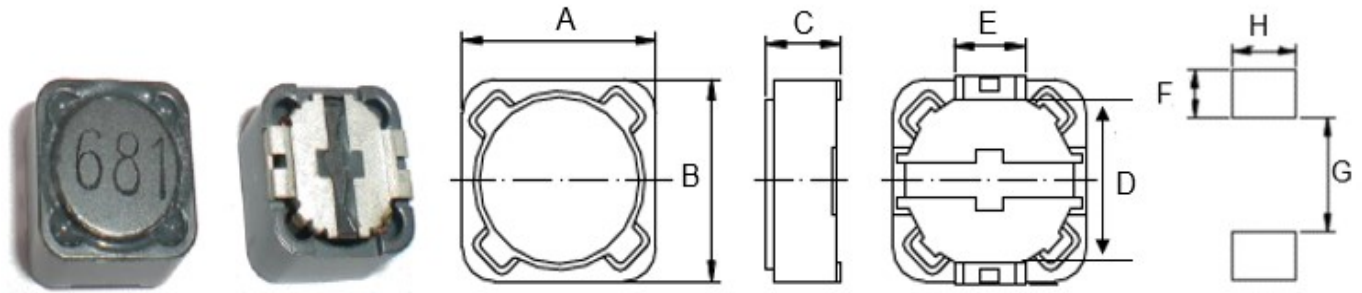
(1) : Type

(2) : Dimensions

(3) : Inductance value

(4) : Inductance Tolerance; N=±30%, M=±20%, K=±10%

■ Shapes and Dimensions (Unit: mm)



| TYPE | A | B | C max | D | E | F Ref. | G Ref. | H Ref. |
|----------|----------|----------|-------|----------|-----|--------|--------|--------|
| YPRH1209 | 12.0±0.5 | 12.0±0.5 | 10.0 | 7.60±0.2 | 5.0 | 2.8 | 7.0 | 5.4 |

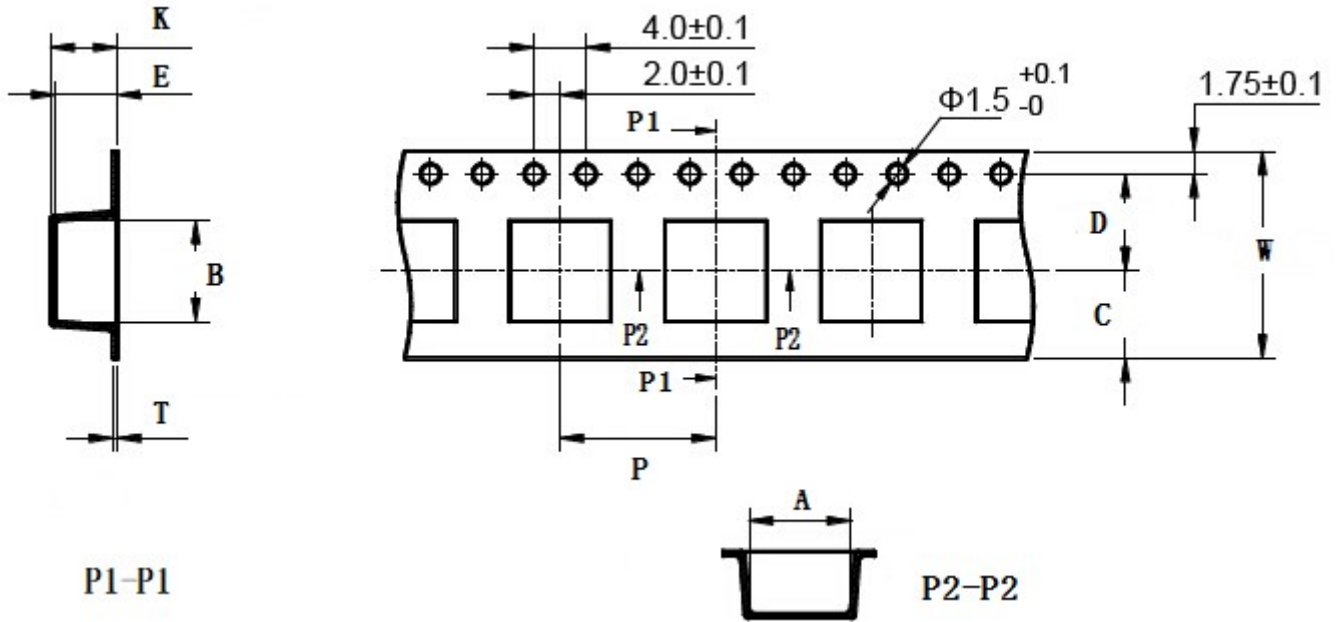
■ YPRH1209 Series

| Part Number | Inductance (uH) | L Test Frequency (KHz) | Max.DC Resistance (Ω) | MAX.Rated Current (A) |
|---------------|--------------------|---------------------------|--------------------------|--------------------------|
| YPRH1209-1R0□ | 1.00 | 100 | 0.006 | 19.90 |
| YPRH1209-1R8□ | 1.80 | 100 | 0.007 | 13.40 |
| YPRH1209-2R5□ | 2.50 | 100 | 0.008 | 12.16 |
| YPRH1209-3R5□ | 3.50 | 100 | 0.010 | 12.00 |
| YPRH1209-4R7□ | 4.70 | 100 | 0.011 | 10.08 |
| YPRH1209-6R8□ | 6.80 | 100 | 0.013 | 8.56 |
| YPRH1209-7R5□ | 7.50 | 100 | 0.014 | 8.48 |
| YPRH1209-100□ | 10.0 | 100 | 0.018 | 7.12 |
| YPRH1209-120□ | 12.0 | 100 | 0.019 | 7.04 |
| YPRH1209-150□ | 15.0 | 100 | 0.026 | 5.84 |
| YPRH1209-180□ | 18.0 | 100 | 0.028 | 5.48 |
| YPRH1209-220□ | 22.0 | 100 | 0.029 | 5.12 |
| YPRH1209-270□ | 27.0 | 100 | 0.042 | 4.68 |
| YPRH1209-330□ | 33.0 | 100 | 0.053 | 4.25 |
| YPRH1209-390□ | 39.0 | 100 | 0.058 | 3.92 |

| Part Number | Inductance (uH) | L Test Frequency (KHz) | Max.DC Resistance (Ω) | MAX.Rated Current (A) |
|---------------|--------------------|---------------------------|--------------------------|--------------------------|
| YPRH1209-470□ | 47.0 | 100 | 0.063 | 3.60 |
| YPRH1209-560□ | 56.0 | 100 | 0.068 | 2.85 |
| YPRH1209-680□ | 68.0 | 100 | 0.093 | 2.76 |
| YPRH1209-820□ | 82.0 | 100 | 0.099 | 2.62 |
| YPRH1209-101□ | 100 | 100 | 0.126 | 2.31 |
| YPRH1209-121□ | 120 | 100 | 0.154 | 2.05 |
| YPRH1209-151□ | 150 | 100 | 0.174 | 1.80 |
| YPRH1209-181□ | 180 | 100 | 0.191 | 1.66 |
| YPRH1209-221□ | 220 | 100 | 0.246 | 1.64 |
| YPRH1209-271□ | 270 | 100 | 0.314 | 1.46 |
| YPRH1209-331□ | 330 | 100 | 0.386 | 1.28 |
| YPRH1209-391□ | 390 | 100 | 0.428 | 1.17 |
| YPRH1209-471□ | 470 | 100 | 0.471 | 1.06 |
| YPRH1209-561□ | 560 | 100 | 0.650 | 1.01 |
| YPRH1209-681□ | 680 | 100 | 0.730 | 0.83 |
| YPRH1209-821□ | 820 | 100 | 0.824 | 0.81 |
| YPRH1209-102□ | 1000 | 100 | 1.220 | 0.70 |
| YPRH1209-122□ | 1200 | 100 | 1.330 | 0.64 |
| YPRH1209-152□ | 1500 | 100 | 1.990 | 0.56 |
| YPRH1209-182□ | 1800 | 100 | 2.180 | 0.48 |
| YPRH1209-222□ | 2200 | 100 | 2.580 | 0.43 |

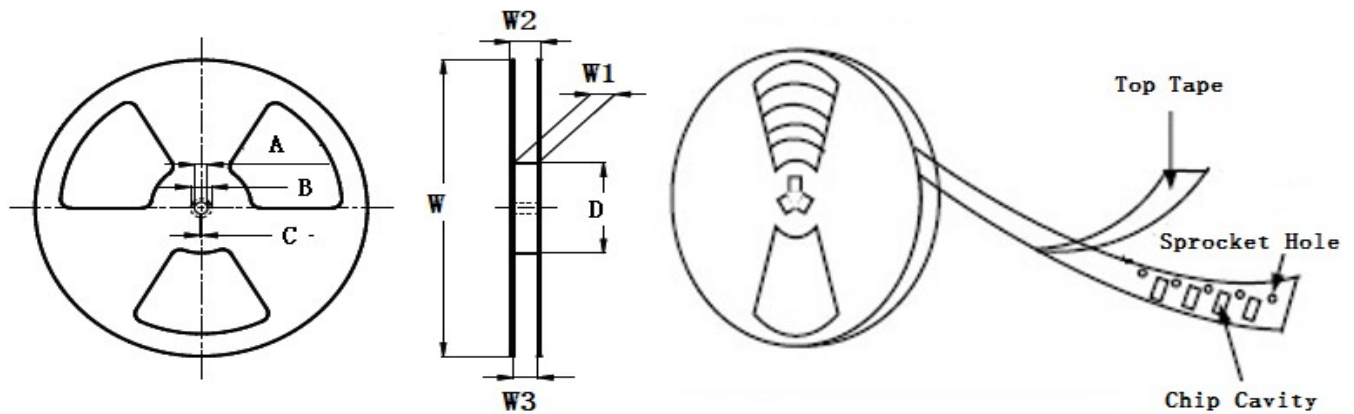
- ※ The saturation current value is the DC current value having inductance decrease down to 30%. (at 20°C)
- ※ The temperature rise current value is the DC current value having temperature increase up to 40°C. (at 20°C)
- ※ The rated current is the DC current value that satisfies both of current value saturation current value and temperature rise current value.

■ Taping Dimensions(Unit:mm)



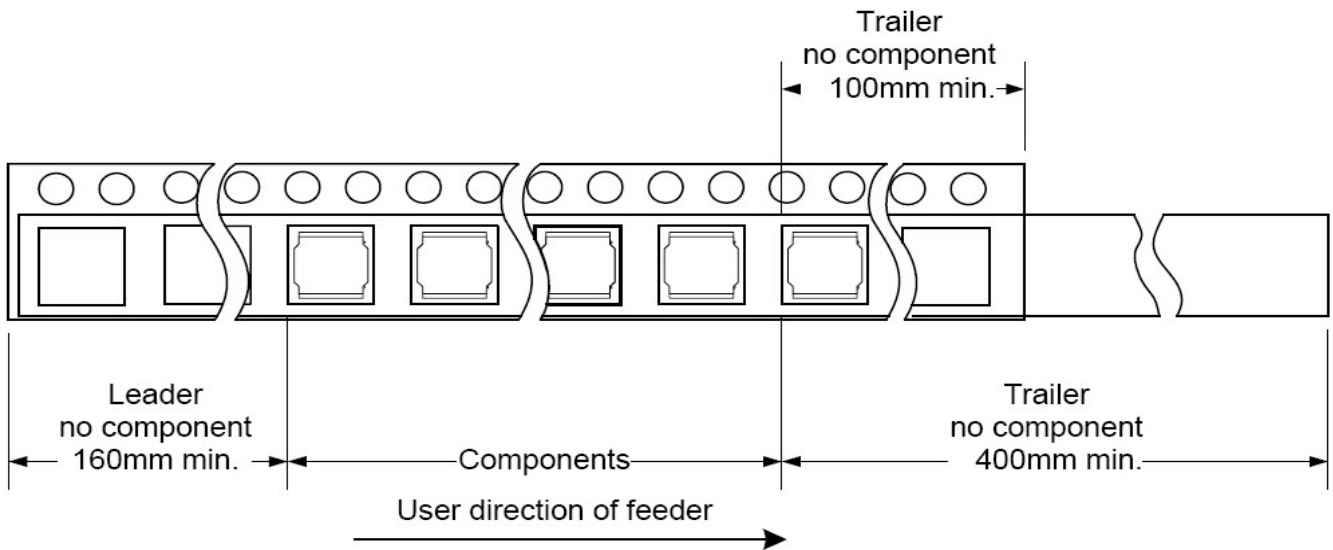
| TYPE | MPQ | W | A | B | C | D | E | P | K | T |
|----------|-----|--------|----------|----------|-------|----------|---------|--------|--------|----------|
| YPRH1209 | 400 | 24±0.3 | 12.6±0.1 | 12.6±0.1 | 10.75 | 11.5±0.1 | 8.2±0.1 | 20±0.1 | 10 Ref | 0.4±0.05 |

■ Reel Dimensions(Unit:mm)

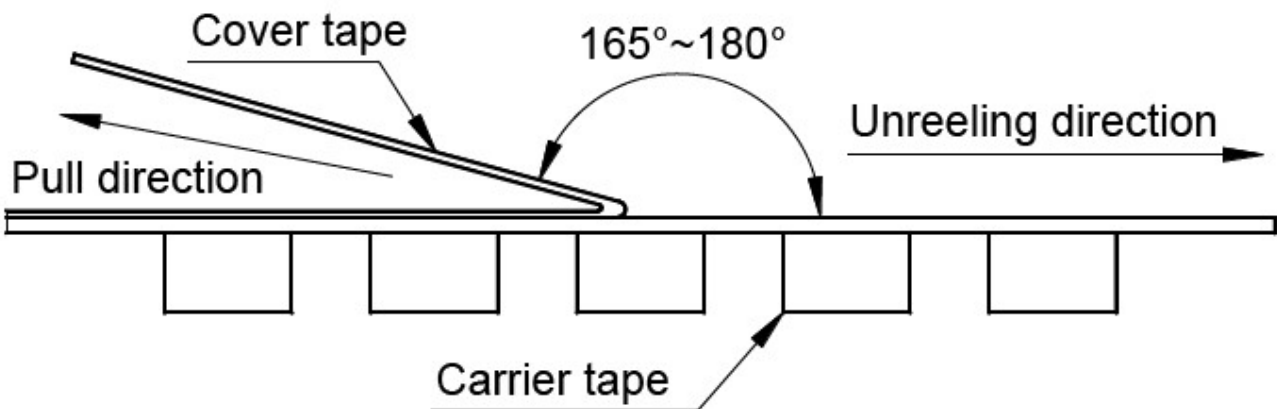


| TYPE | W | W1 | W2 | W3 | A | B | C | D |
|----------|----------|-----------|-----------|-----------|-----------|-----------|----------|---------|
| YPRH1209 | 330±2.00 | 24.4±1.50 | 30.40 Max | 23.90 Min | 13.0±0.50 | 21.0±0.80 | 2.0±0.50 | 100 Min |

Direction of rolling



Cover tape peel off condition



Cover tape peel force shall be 0.1N to 1.3N.

Reference peel speed 300±10mm/min.

X-ON Electronics

Largest Supplier of Electrical and Electronic Components

Click to view similar products for [Fixed Inductors](#) category:

Click to view products by [YJYCOIN](#) manufacturer:

Other Similar products are found below :

[MLZ1608M6R8WTD25](#) [MLZ1608N6R8LT000](#) [MLZ1608N3R3LTD25](#) [MLZ1608N3R3LT000](#) [MLZ1608N150LT000](#)
[MLZ1608M150WTD25](#) [MLZ1608M3R3WTD25](#) [MLZ1608M3R3WT000](#) [MLZ1608M150WT000](#) [MLZ1608A1R5WT000](#)
[MLZ1608N1R5LT000](#) [B82432C1333K000](#) [PCMB053T-1R0MS](#) [PCMB053T-1R5MS](#) [PCMB104T-1R5MS](#) [CR32NP-100KC](#) [CR32NP-151KC](#) [CR32NP-180KC](#) [CR32NP-181KC](#) [CR32NP-1R5MC](#) [CR32NP-390KC](#) [CR32NP-3R9MC](#) [CR32NP-680KC](#) [CR32NP-820KC](#)
[CR32NP-8R2MC](#) [CR43NP-390KC](#) [CR43NP-560KC](#) [CR43NP-680KC](#) [CR54NP-181KC](#) [CR54NP-470LC](#) [CR54NP-820KC](#) [CR54NP-8R5MC](#)
[MGDQ4-00004-P](#) [MGDU1-00016-P](#) [MHL1ECTTP18NJ](#) [MHL1JCTTD12NJ](#) [PE-51506NL](#) [PE-53601NL](#) [PE-53630NL](#) [PE-53824SNLT](#) [PE-62892NL](#) [PE-92100NL](#) [PG0434.801NLT](#) [PG0936.113NLT](#) [PM06-2N7](#) [PM06-39NJ](#) [HC2LP-R47-R](#) [HC2-R47-R](#) [HC3-2R2-R](#) [HC8-1R2-R](#)