

## ■ Features

- Ultra low profile.
- Magnetic shielded for low radiation.
- Bobbin ferrite core and compact size.
- Low core loss for high frequency power application.
- Large terminal surface for good PCB bonding.
- Operating temperature:-40°C ~ +125°C.

## ■ Applications

- Portable communication equipment.
- Notebook PC,digital camera,LCD television set.
- Power supply for VTR,OA equipment.
- DC/DC converters.

## ■ Product Identification

$\frac{\text{YPRH}}{(1)}$      $\frac{\square\square\square\square}{(2)}$  -  $\frac{\square\square\square}{(3)}$      $\frac{\square}{(4)}$

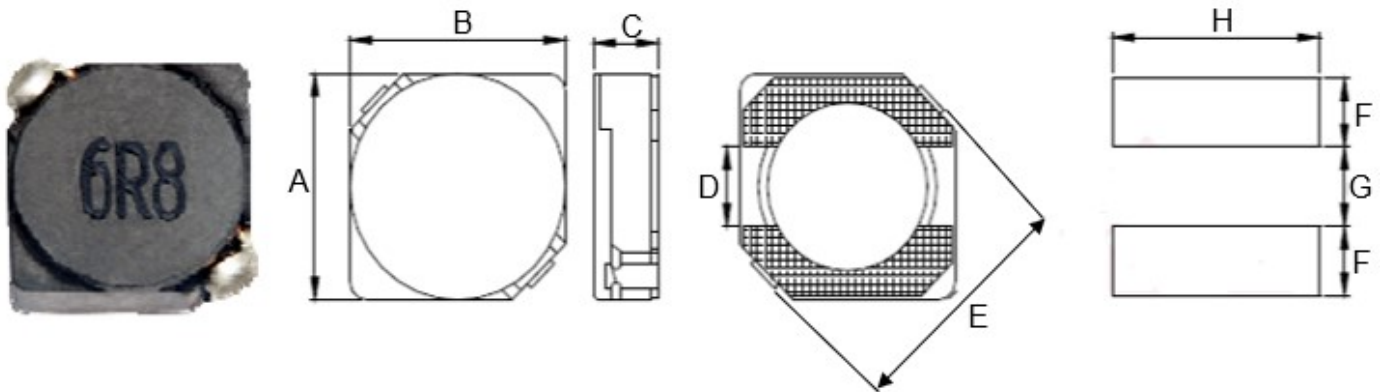
(1) : Type

(2) : Dimensions

(3) : Inductance value

(4) : Inductance Tolerance; N=±30%,M=±20%, K=±10%

**Shapes and Dimensions (Unit: mm)**



| TYPE     | A       | B       | C max. | D    | E   | F Ref. | G Ref. | H Ref. |
|----------|---------|---------|--------|------|-----|--------|--------|--------|
| YPRH4D18 | 4.7±0.3 | 4.7±0.3 | 2.0    | 1.50 | 6.9 | 1.9    | 1.5    | 5.3    |

**YPRH4D18 Series**

| Part Number   | Inductance (uH) | Test Freq.(KHz) | DCR MAX.(Ω) | Rated Current (A) |
|---------------|-----------------|-----------------|-------------|-------------------|
| YPRH4D18-1R0□ | 1.0             | 100             | 0.045       | 1.72              |
| YPRH4D18-2R2□ | 2.2             | 100             | 0.075       | 1.32              |
| YPRH4D18-2R7□ | 2.7             | 100             | 0.105       | 1.28              |
| YPRH4D18-3R3□ | 3.3             | 100             | 0.110       | 1.04              |
| YPRH4D18-3R9□ | 3.9             | 100             | 0.155       | 0.88              |
| YPRH4D18-4R7□ | 4.7             | 100             | 0.162       | 0.84              |
| YPRH4D18-5R6□ | 5.6             | 100             | 0.170       | 0.80              |
| YPRH4D18-6R8□ | 6.8             | 100             | 0.200       | 0.76              |
| YPRH4D18-8R2□ | 8.2             | 100             | 0.245       | 0.68              |
| YPRH4D18-100□ | 10.0            | 100             | 0.200       | 0.61              |
| YPRH4D18-120□ | 12.0            | 100             | 0.210       | 0.56              |
| YPRH4D18-150□ | 15.0            | 100             | 0.240       | 0.50              |
| YPRH4D18-180□ | 18.0            | 100             | 0.338       | 0.48              |

| Part Number   | Inductance (uH) | Test Freq.(KHz) | DCR MAX.(Ω) | Rated Current (A) |
|---------------|-----------------|-----------------|-------------|-------------------|
| YPRH4D18-220□ | 22.0            | 100             | 0.397       | 0.41              |
| YPRH4D18-270□ | 27.0            | 100             | 0.441       | 0.35              |
| YPRH4D18-330□ | 33.0            | 100             | 0.694       | 0.32              |
| YPRH4D18-390□ | 39.0            | 100             | 0.709       | 0.30              |
| YPRH4D18-470□ | 47.0            | 100             | 0.922       | 0.28              |
| YPRH4D18-560□ | 56.0            | 100             | 1.080       | 0.26              |
| YPRH4D18-680□ | 68.0            | 100             | 1.300       | 0.24              |
| YPRH4D18-820□ | 82.0            | 100             | 1.550       | 0.22              |
| YPRH4D18-101□ | 100             | 100             | 1.730       | 0.20              |
| YPRH4D18-121□ | 120             | 100             | 2.390       | 0.18              |
| YPRH4D18-151□ | 150             | 100             | 2.670       | 0.15              |
| YPRH4D18-181□ | 180             | 100             | 4.000       | 0.14              |

- ※ The saturation current value is the DC current value having inductance decrease down to 30%.(at 20°C)
- ※ The temperature rise current value is the DC current value having temperature increase up to 40°C. (at 20°C)
- ※ The rated current is the DC current value that satisfies both of current value saturation current value and temperature rise current value.

**■ Taping Dimensions(Unit:mm)**



| TYPE     | W      | A        | B        | C    | D       | E        | P       | K Ref | T         | MPQ  |
|----------|--------|----------|----------|------|---------|----------|---------|-------|-----------|------|
| YPRH4D18 | 12±0.3 | 5.40±0.1 | 5.40±0.1 | 4.75 | 5.5±0.1 | 3.25±0.1 | 8.0±0.1 | 3.45  | 0.30±0.05 | 3000 |

**■ Reel Dimensions(Unit:mm)**



| TYPE     | W       | W1       | W2       | W3       | A         | B         | C        | D       |
|----------|---------|----------|----------|----------|-----------|-----------|----------|---------|
| YPRH4D18 | 330±2.0 | 12.4±2.0 | 18.4 Max | 11.9 Min | 13.0±0.50 | 21.0±0.80 | 2.0±0.50 | 100 Min |

**Direction of rolling**



**Cover tape peel off condition**



Cover tape peel force shall be 0.1N to 1.3N.

Reference peel speed  $300 \pm 10$ mm/min.

## X-ON Electronics

Largest Supplier of Electrical and Electronic Components

*Click to view similar products for [Fixed Inductors](#) category:*

*Click to view products by [YJYCOIN](#) manufacturer:*

Other Similar products are found below :

[MLZ1608M6R8WTD25](#) [MLZ1608N6R8LT000](#) [MLZ1608N3R3LTD25](#) [MLZ1608N3R3LT000](#) [MLZ1608N150LT000](#)

[MLZ1608M150WTD25](#) [MLZ1608M3R3WTD25](#) [MLZ1608M3R3WT000](#) [MLZ1608M150WT000](#) [MLZ1608A1R5WT000](#)

[MLZ1608N1R5LT000](#) [B82432C1333K000](#) [PCMB053T-1R0MS](#) [PCMB053T-1R5MS](#) [PCMB104T-1R5MS](#) [CR32NP-100KC](#) [CR32NP-](#)

[151KC](#) [CR32NP-180KC](#) [CR32NP-181KC](#) [CR32NP-1R5MC](#) [CR32NP-390KC](#) [CR32NP-3R9MC](#) [CR32NP-680KC](#) [CR32NP-820KC](#)

[CR32NP-8R2MC](#) [CR43NP-390KC](#) [CR43NP-560KC](#) [CR43NP-680KC](#) [CR54NP-181KC](#) [CR54NP-470LC](#) [CR54NP-820KC](#) [CR54NP-8R5MC](#)

[MGDQ4-00004-P](#) [MGDU1-00016-P](#) [MHL1ECTTP18NJ](#) [MHL1JCTTD12NJ](#) [PE-51506NL](#) [PE-53601NL](#) [PE-53630NL](#) [PE-53824SNLT](#) [PE-](#)

[62892NL](#) [PE-92100NL](#) [PG0434.801NLT](#) [PG0936.113NLT](#) [PM06-2N7](#) [PM06-39NJ](#) [HC2LP-R47-R](#) [HC2-R47-R](#) [HC3-2R2-R](#) [HC8-1R2-R](#)