

■ Features

- Ultra low profile.
- Magnetic shielded for low radiation.
- Bobbin ferrite core and compact size.
- Low core loss for high frequency power application.
- Large terminal surface for good PCB bonding.
- Operating temperature:-40°C ~ +125°C.

■ Applications

- Portable communication equipment.
- Notebook PC,digital camera,LCD television set.
- Power supply for VTR,OA equipment.
- DC/DC converters.

■ Product Identification

$\frac{\text{YPRH}}{(1)}$ $\frac{\square\square\square\square}{(2)}$ - $\frac{\square\square\square}{(3)}$ $\frac{\square}{(4)}$

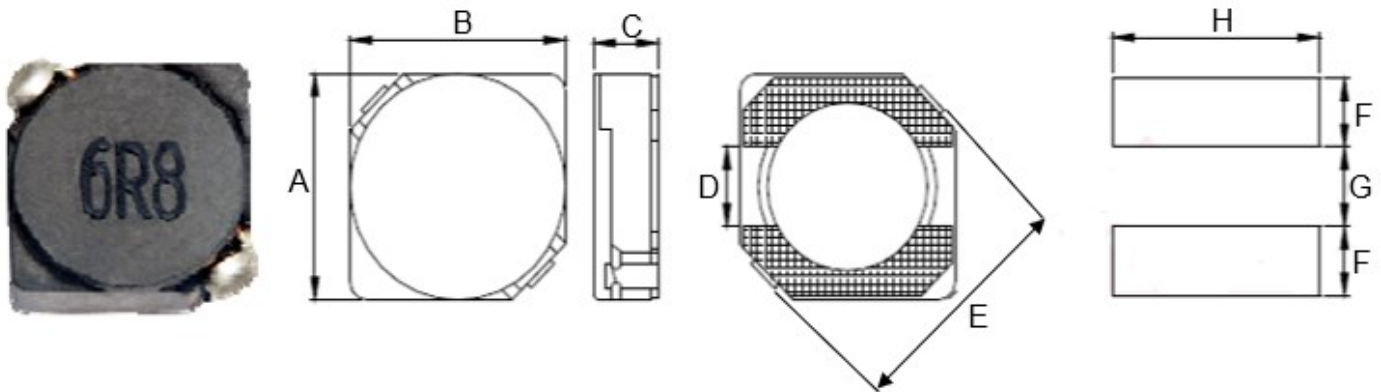
(1) : Type

(2) : Dimensions

(3) : Inductance value

(4) : Inductance Tolerance; N=±30%,M=±20%, K=±10%

Shapes and Dimensions (Unit: mm)



TYPE	A	B	C max.	D	E	F Ref.	G Ref.	H Ref.
YPRH5D18	5.7±0.3	5.7±0.3	2.0	2.00	8.2	2.15	2.0	6.3

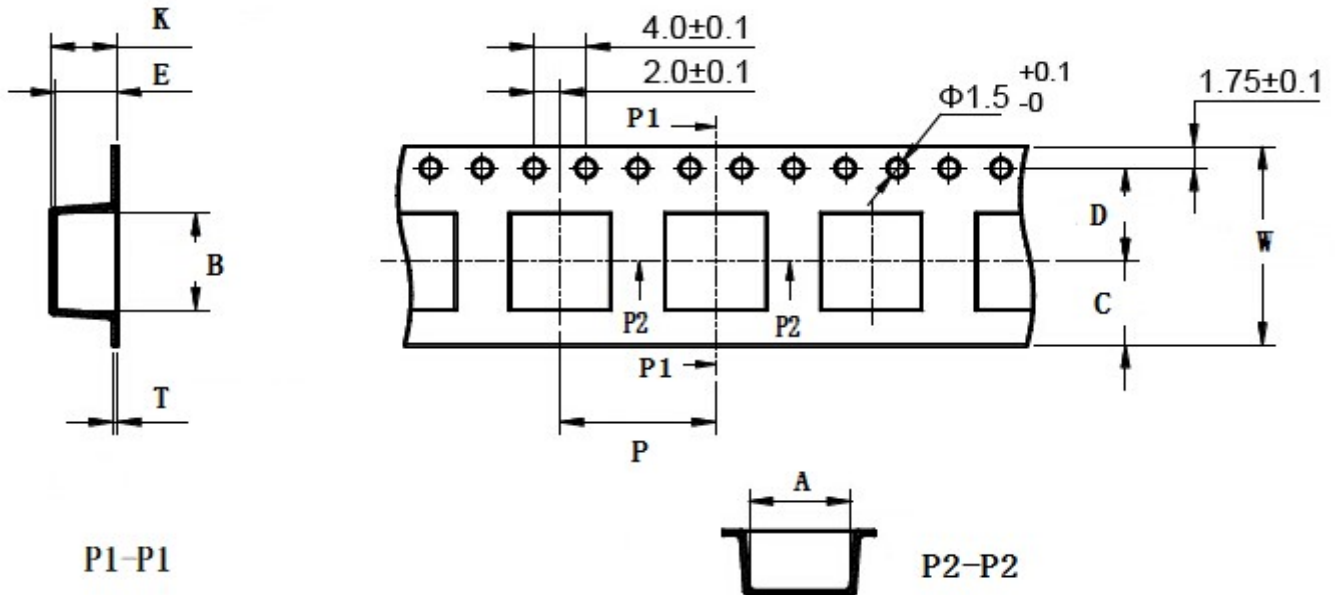
YPRH5D18 Series

Part Number	Inductance (uH)	Test Freq.(KHz)	DCR MAX.(Ω)	Rated Current (A)
YPRH5D18-3R3□	3.3	100	0.053	2.00
YPRH5D18-4R1□	4.1	100	0.057	1.95
YPRH5D18-4R7□	4.7	100	0.068	1.75
YPRH5D18-5R0□	5.0	100	0.076	1.65
YPRH5D18-5R6□	5.4	100	0.080	1.60
YPRH5D18-6R2□	6.2	100	0.096	1.40
YPRH5D18-6R8□	6.8	100	0.110	1.30
YPRH5D18-8R2□	8.2	100	0.117	1.30
YPRH5D18-100□	10.0	100	0.124	1.20
YPRH5D18-120□	12.0	100	0.153	1.10
YPRH5D18-150□	15.0	100	0.196	0.97
YPRH5D18-180□	18.0	100	0.210	0.85
YPRH5D18-220□	22.0	100	0.290	0.80

Part Number	Inductance (uH)	Test Freq.(KHz)	DCR MAX.(Ω)	Rated Current (A)
YPRH5D18-270□	27.0	100	0.330	0.75
YPRH5D18-330□	33.0	100	0.386	0.65
YPRH5D18-390□	39.0	100	0.520	0.57
YPRH5D18-470□	47.0	100	0.595	0.54
YPRH5D18-560□	56.0	100	0.665	0.50
YPRH5D18-680□	68.0	100	0.840	0.43
YPRH5D18-820□	82.0	100	0.978	0.41
YPRH5D18-101□	100	100	1.200	0.36
YPRH5D18-121□	120	100	1.500	0.33
YPRH5D18-151□	150	100	1.710	0.31
YPRH5D18-181□	180	100	2.240	0.28

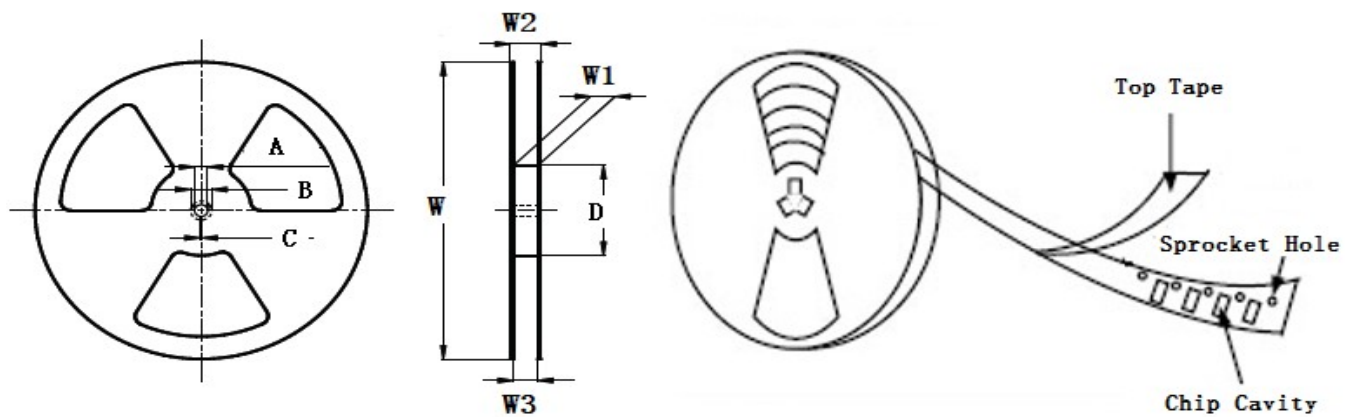
- ※ The saturation current value is the DC current value having inductance decrease down to 30%.(at 20°C)
- ※ The temperature rise current value is the DC current value having temperature increase up to 40°C. (at 20°C)
- ※ The rated current is the DC current value that satisfies both of current value saturation current value and temperature rise current value.

Taping Dimensions(Unit:mm)



TYPE	W	A	B	C	D	E	P	K Ref	T	MPQ
YPRH5D18	16±0.3	6.15±0.1	6.15±0.1	6.75	7.5±0.1	2.10±0.1	12±0.1	2.30	0.30±0.03	3000

Reel Dimensions(Unit:mm)

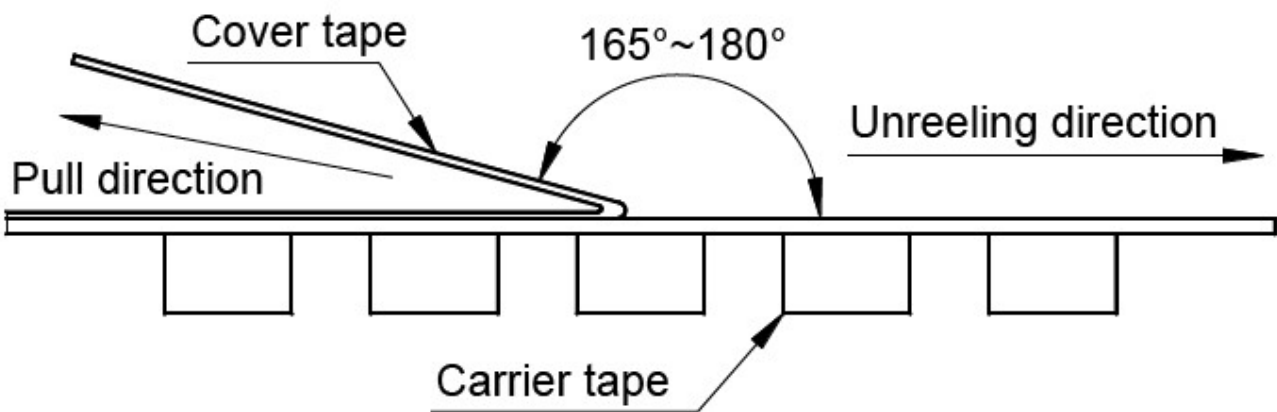


TYPE	W	W1	W2	W3	A	B	C	D
YPRH5D18	330±2.0	16.4±2.0	22.4 Max	15.9 Min	13.0±0.50	21.0±0.80	2.0±0.50	100 Min

Direction of rolling



Cover tape peel off condition



Cover tape peel force shall be 0.1N to 1.3N.

Reference peel speed 300 ± 10 mm/min.

X-ON Electronics

Largest Supplier of Electrical and Electronic Components

Click to view similar products for [Fixed Inductors](#) category:

Click to view products by [YJYCOIN](#) manufacturer:

Other Similar products are found below :

[MLZ1608M6R8WTD25](#) [MLZ1608N6R8LT000](#) [MLZ1608N3R3LTD25](#) [MLZ1608N3R3LT000](#) [MLZ1608N150LT000](#)

[MLZ1608M150WTD25](#) [MLZ1608M3R3WTD25](#) [MLZ1608M3R3WT000](#) [MLZ1608M150WT000](#) [MLZ1608A1R5WT000](#)

[MLZ1608N1R5LT000](#) [B82432C1333K000](#) [PCMB053T-1R0MS](#) [PCMB053T-1R5MS](#) [PCMB104T-1R5MS](#) [CR32NP-100KC](#) [CR32NP-](#)

[151KC](#) [CR32NP-180KC](#) [CR32NP-181KC](#) [CR32NP-1R5MC](#) [CR32NP-390KC](#) [CR32NP-3R9MC](#) [CR32NP-680KC](#) [CR32NP-820KC](#)

[CR32NP-8R2MC](#) [CR43NP-390KC](#) [CR43NP-560KC](#) [CR43NP-680KC](#) [CR54NP-181KC](#) [CR54NP-470LC](#) [CR54NP-820KC](#) [CR54NP-8R5MC](#)

[MGDQ4-00004-P](#) [MGDU1-00016-P](#) [MHL1ECTTP18NJ](#) [MHL1JCTTD12NJ](#) [PE-51506NL](#) [PE-53601NL](#) [PE-53630NL](#) [PE-53824SNLT](#) [PE-](#)

[62892NL](#) [PE-92100NL](#) [PG0434.801NLT](#) [PG0936.113NLT](#) [PM06-2N7](#) [PM06-39NJ](#) [HC2LP-R47-R](#) [HC2-R47-R](#) [HC3-2R2-R](#) [HC8-1R2-R](#)