

■ Features

- Ultra low profile.
- Magnetic shielded for low radiation.
- Bobbin ferrite core and compact size.
- Low core loss for high frequency power application.
- Large terminal surface for good PCB bonding.
- Operating temperature:-40°C ~ +125°C.

■ Applications

- Portable communication equipment.
- Notebook PC,digital camera,LCD television set.
- Power supply for VTR,OA equipment.
- DC/DC converters.

■ Product Identification

$\frac{\text{YPRH}}{(1)}$ $\frac{\square\square\square\square}{(2)}$ - $\frac{\square\square\square}{(3)}$ $\frac{\square}{(4)}$

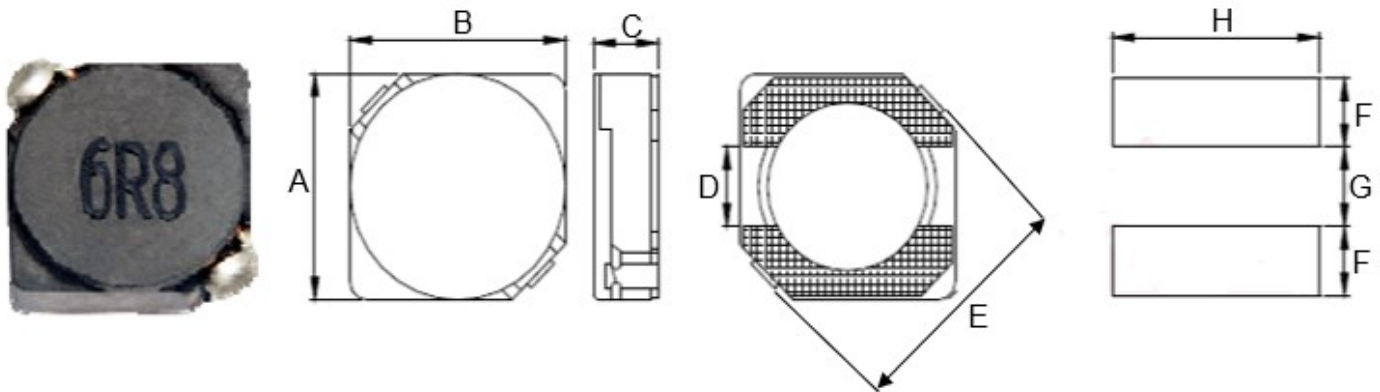
(1) : Type

(2) : Dimensions

(3) : Inductance value

(4) : Inductance Tolerance; N=±30%,M=±20%, K=±10%

Shapes and Dimensions (Unit: mm)



TYPE	A	B	C max.	D	E	F Ref.	G Ref.	H Ref.
YPRH5D28	5.7±0.3	5.7±0.3	3.0	2.00	8.2	2.15	2.0	6.3

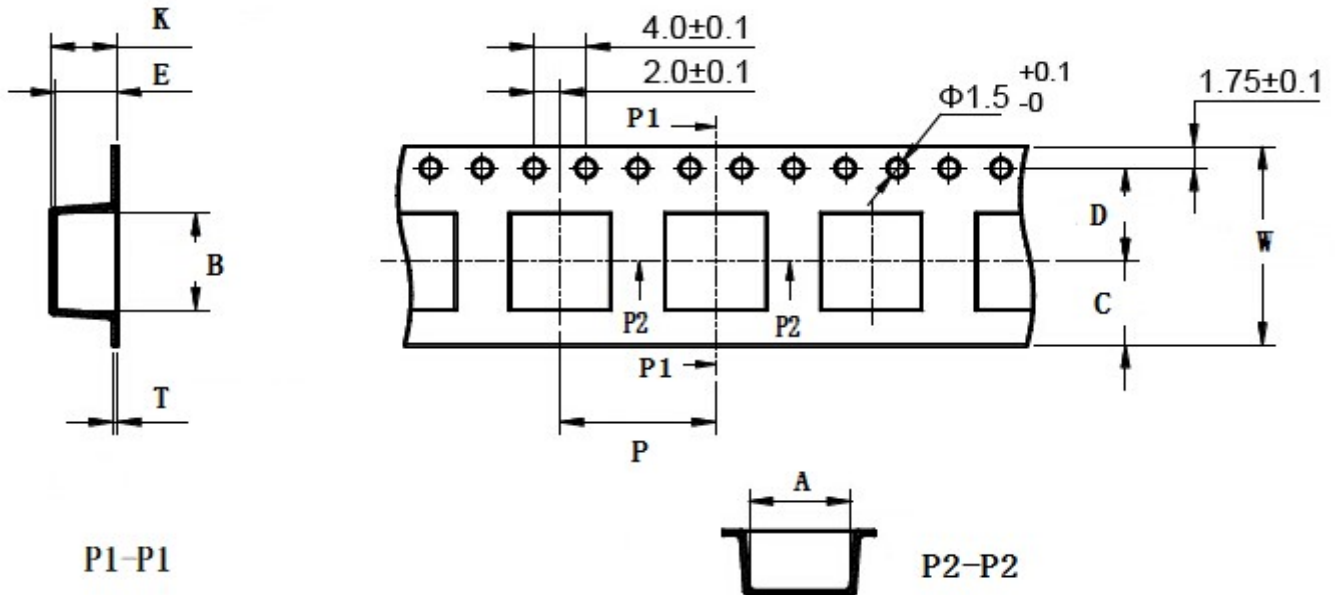
YPRH5D28 Series

Part Number	Inductance (uH)	Test Freq.(KHz)	DCR MAX.(Ω)	Rated Current (A)
YPRH5D28-1R0□	1.0	100	0.015	2.80
YPRH5D28-2R2□	2.2	100	0.023	2.60
YPRH5D28-3R3□	3.3	100	0.029	2.40
YPRH5D28-4R7□	4.7	100	0.036	2.10
YPRH5D28-5R6□	5.6	100	0.038	1.90
YPRH5D28-6R8□	6.8	100	0.048	1.80
YPRH5D28-8R2□	8.2	100	0.053	1.60
YPRH5D28-100□	10.0	100	0.065	1.30
YPRH5D28-120□	12.0	100	0.076	1.20
YPRH5D28-150□	15.0	100	0.103	1.10
YPRH5D28-180□	18.0	100	0.110	1.00
YPRH5D28-220□	22.0	100	0.122	0.90
YPRH5D28-270□	27.0	100	0.175	0.85
YPRH5D28-330□	33.0	100	0.189	0.75

Part Number	Inductance (uH)	Test Freq.(KHz)	DCR MAX.(Ω)	Rated Current (A)
YPRH5D28-390□	39.0	100	0.212	0.70
YPRH5D28-470□	47.0	100	0.260	0.62
YPRH5D28-560□	56.0	100	0.305	0.58
YPRH5D28-680□	68.0	100	0.355	0.52
YPRH5D28-820□	82.0	100	0.463	0.46
YPRH5D28-101□	100	100	0.520	0.42
YPRH5D28-121□	120	100	0.560	0.40
YPRH5D28-151□	150	100	0.680	0.35
YPRH5D28-181□	180	100	0.930	0.32
YPRH5D28-221□	220	100	1.150	0.30
YPRH5D28-271□	270	100	1.560	0.27
YPRH5D28-331□	330	100	1.980	0.25

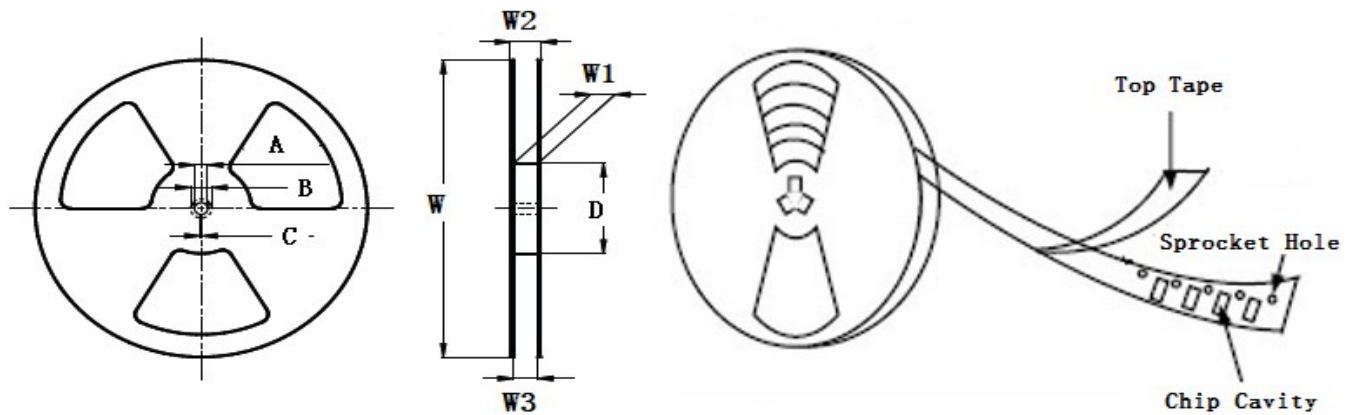
- ※ The saturation current value is the DC current value having inductance decrease down to 30%.(at 20°C)
- ※ The temperature rise current value is the DC current value having temperature increase up to 40°C. (at 20°C)
- ※ The rated current is the DC current value that satisfies both of current value saturation current value and temperature rise current value.

Taping Dimensions(Unit:mm)



TYPE	W	A	B	C	D	E	P	K Ref	T	MPQ
YPRH5D28	16±0.3	6.20±0.1	6.20±0.1	6.75	7.5±0.1	2.80±0.1	12±0.1	3.00	0.30±0.05	2000

Reel Dimensions(Unit:mm)

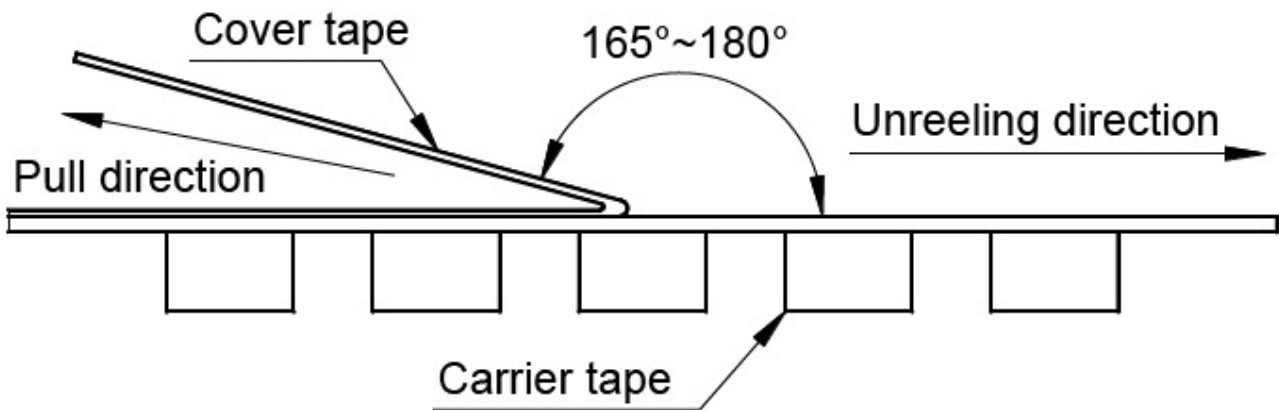


TYPE	W	W1	W2	W3	A	B	C	D
YPRH5D28	330±2.0	16.4±2.0	22.4 Max	15.9 Min	13.0±0.50	21.0±0.80	2.0±0.50	100 Min

Direction of rolling



Cover tape peel off condition



Cover tape peel force shall be 0.1N to 1.3N.

Reference peel speed 300±10mm/min.

X-ON Electronics

Largest Supplier of Electrical and Electronic Components

Click to view similar products for [Fixed Inductors](#) category:

Click to view products by [YJYCOIN](#) manufacturer:

Other Similar products are found below :

[MLZ1608M6R8WTD25](#) [MLZ1608N6R8LT000](#) [MLZ1608N3R3LTD25](#) [MLZ1608N3R3LT000](#) [MLZ1608N150LT000](#)

[MLZ1608M150WTD25](#) [MLZ1608M3R3WTD25](#) [MLZ1608M3R3WT000](#) [MLZ1608M150WT000](#) [MLZ1608A1R5WT000](#)

[MLZ1608N1R5LT000](#) [B82432C1333K000](#) [PCMB053T-1R0MS](#) [PCMB053T-1R5MS](#) [PCMB104T-1R5MS](#) [CR32NP-100KC](#) [CR32NP-](#)

[151KC](#) [CR32NP-180KC](#) [CR32NP-181KC](#) [CR32NP-1R5MC](#) [CR32NP-390KC](#) [CR32NP-3R9MC](#) [CR32NP-680KC](#) [CR32NP-820KC](#)

[CR32NP-8R2MC](#) [CR43NP-390KC](#) [CR43NP-560KC](#) [CR43NP-680KC](#) [CR54NP-181KC](#) [CR54NP-470LC](#) [CR54NP-820KC](#) [CR54NP-8R5MC](#)

[MGDQ4-00004-P](#) [MGDU1-00016-P](#) [MHL1ECTTP18NJ](#) [MHL1JCTTD12NJ](#) [PE-51506NL](#) [PE-53601NL](#) [PE-53630NL](#) [PE-53824SNLT](#) [PE-](#)

[62892NL](#) [PE-92100NL](#) [PG0434.801NLT](#) [PG0936.113NLT](#) [PM06-2N7](#) [PM06-39NJ](#) [HC2LP-R47-R](#) [HC2-R47-R](#) [HC3-2R2-R](#) [HC8-1R2-R](#)