

■ Features

- Ultra low profile.
- Magnetic shielded for low radiation.
- Bobbin ferrite core and compact size.
- Low core loss for high frequency power application.
- Large terminal surface for good PCB bonding.
- Operating temperature:-40°C ~ +125°C.

■ Applications

- Portable communication equipment.
- Notebook PC,digital camera,LCD television set.
- Power supply for VTR,OA equipment.
- DC/DC converters.

■ Product Identification

$\frac{\text{YPRH}}{(1)}$ $\frac{\square\square\square\square}{(2)}$ - $\frac{\square\square\square}{(3)}$ $\frac{\square}{(4)}$

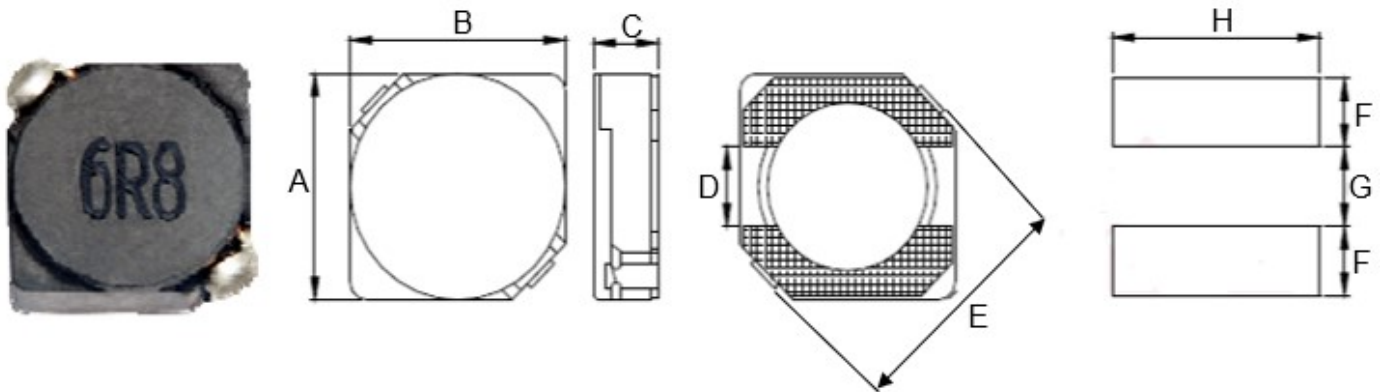
(1) : Type

(2) : Dimensions

(3) : Inductance value

(4) : Inductance Tolerance; N=±30%,M=±20%, K=±10%

■ Shapes and Dimensions (Unit: mm)



| TYPE | A | B | C max. | D | E | F Ref. | G Ref. | H Ref. |
|----------|---------|---------|--------|------|-----|--------|--------|--------|
| YPRH6D28 | 6.7±0.3 | 6.7±0.3 | 3.0 | 2.00 | 9.5 | 2.65 | 2.0 | 7.3 |

■ YPRH6D28 Series

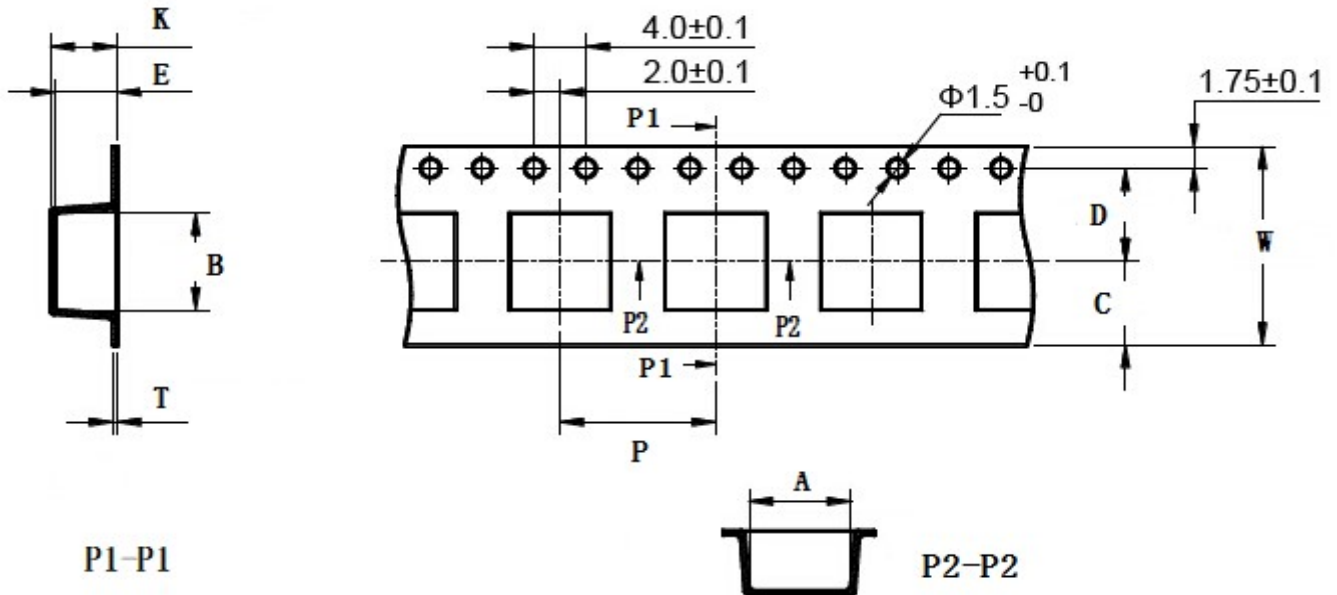
| Part Number | Inductance (uH) | Test Freq.(KHz) | DCR MAX.(Ω) | Rated Current (A) |
|---------------|-----------------|-----------------|-------------|-------------------|
| YPRH6D28-1R0□ | 1.0 | 100 | 0.0132 | 5.50 |
| YPRH6D28-2R0□ | 2.0 | 100 | 0.0210 | 4.00 |
| YPRH6D28-2R2□ | 2.2 | 100 | 0.024 | 3.60 |
| YPRH6D28-3R0□ | 3.0 | 100 | 0.024 | 3.00 |
| YPRH6D28-3R3□ | 3.3 | 100 | 0.025 | 2.80 |
| YPRH6D28-3R9□ | 3.9 | 100 | 0.027 | 2.60 |
| YPRH6D28-4R7□ | 4.7 | 100 | 0.030 | 2.50 |
| YPRH6D28-5R0□ | 5.0 | 100 | 0.031 | 2.40 |
| YPRH6D28-5R6□ | 5.6 | 100 | 0.035 | 2.30 |
| YPRH6D28-6R0□ | 6.0 | 100 | 0.040 | 2.25 |
| YPRH6D28-6R8□ | 6.8 | 100 | 0.042 | 2.20 |
| YPRH6D28-7R2□ | 7.2 | 100 | 0.054 | 2.10 |
| YPRH6D28-8R6□ | 8.6 | 100 | 0.058 | 1.85 |
| YPRH6D28-100□ | 10.0 | 100 | 0.065 | 1.70 |

■ YPRH6D28 Series

| Part Number | Inductance (uH) | Test Freq.(KHz) | DCR MAX.(Ω) | Rated Current (A) |
|---------------|-----------------|-----------------|-------------|-------------------|
| YPRH6D28-120□ | 12.0 | 100 | 0.070 | 1.55 |
| YPRH6D28-150□ | 15.0 | 100 | 0.084 | 1.40 |
| YPRH6D28-180□ | 18.0 | 100 | 0.095 | 1.32 |
| YPRH6D28-220□ | 22.0 | 100 | 0.128 | 1.20 |
| YPRH6D28-270□ | 27.0 | 100 | 0.142 | 1.05 |
| YPRH6D28-330□ | 33.0 | 100 | 0.165 | 0.97 |
| YPRH6D28-390□ | 39.0 | 100 | 0.210 | 0.86 |
| YPRH6D28-470□ | 47.0 | 100 | 0.238 | 0.80 |
| YPRH6D28-560□ | 56.0 | 100 | 0.277 | 0.73 |
| YPRH6D28-680□ | 68.0 | 100 | 0.304 | 0.65 |
| YPRH6D28-820□ | 82.0 | 100 | 0.390 | 0.60 |
| YPRH6D28-101□ | 100 | 100 | 0.535 | 0.54 |
| YPRH6D28-121□ | 120 | 100 | 0.750 | 0.51 |
| YPRH6D28-151□ | 150 | 100 | 0.950 | 0.47 |
| YPRH6D28-181□ | 180 | 100 | 1.200 | 0.41 |
| YPRH6D28-221□ | 220 | 100 | 1.500 | 0.37 |
| YPRH6D28-271□ | 270 | 100 | 1.700 | 0.33 |
| YPRH6D28-331□ | 330 | 100 | 2.150 | 0.28 |
| YPRH6D28-391□ | 390 | 100 | 2.250 | 0.27 |
| YPRH6D28-471□ | 470 | 100 | 3.150 | 0.21 |

- ※ The saturation current value is the DC current value having inductance decrease down to 30%.(at 20°C)
- ※ The temperature rise current value is the DC current value having temperature increase up to 40°C. (at 20°C)
- ※ The rated current is the DC current value that satisfies both of current value saturation current value and temperature rise current value.

Taping Dimensions(Unit:mm)



| TYPE | W | A | B | C | D | E | P | K Ref | T | MPQ |
|----------|--------|----------|----------|------|---------|----------|--------|-------|-----------|------|
| YPRH6D28 | 16±0.3 | 8.85±0.1 | 7.10±0.1 | 6.75 | 7.5±0.1 | 2.95±0.1 | 12±0.1 | 3.15 | 0.30±0.05 | 1000 |

Reel Dimensions(Unit:mm)



| TYPE | W | W1 | W2 | W3 | A | B | C | D |
|----------|---------|----------|----------|----------|-----------|-----------|----------|---------|
| YPRH6D28 | 330±2.0 | 16.4±2.0 | 22.4 Max | 15.9 Min | 13.0±0.50 | 21.0±0.80 | 2.0±0.50 | 100 Min |

Direction of rolling



Cover tape peel off condition



Cover tape peel force shall be 0.1N to 1.3N.

Reference peel speed 300 ± 10 mm/min.

X-ON Electronics

Largest Supplier of Electrical and Electronic Components

Click to view similar products for [Fixed Inductors](#) category:

Click to view products by [YJYCOIN](#) manufacturer:

Other Similar products are found below :

[MLZ1608M6R8WTD25](#) [MLZ1608N6R8LT000](#) [MLZ1608N3R3LTD25](#) [MLZ1608N3R3LT000](#) [MLZ1608N150LT000](#)

[MLZ1608M150WTD25](#) [MLZ1608M3R3WTD25](#) [MLZ1608M3R3WT000](#) [MLZ1608M150WT000](#) [MLZ1608A1R5WT000](#)

[MLZ1608N1R5LT000](#) [B82432C1333K000](#) [PCMB053T-1R0MS](#) [PCMB053T-1R5MS](#) [PCMB104T-1R5MS](#) [CR32NP-100KC](#) [CR32NP-](#)

[151KC](#) [CR32NP-180KC](#) [CR32NP-181KC](#) [CR32NP-1R5MC](#) [CR32NP-390KC](#) [CR32NP-3R9MC](#) [CR32NP-680KC](#) [CR32NP-820KC](#)

[CR32NP-8R2MC](#) [CR43NP-390KC](#) [CR43NP-560KC](#) [CR43NP-680KC](#) [CR54NP-181KC](#) [CR54NP-470LC](#) [CR54NP-820KC](#) [CR54NP-8R5MC](#)

[MGDQ4-00004-P](#) [MGDU1-00016-P](#) [MHL1ECTTP18NJ](#) [MHL1JCTTD12NJ](#) [PE-51506NL](#) [PE-53601NL](#) [PE-53630NL](#) [PE-53824SNLT](#) [PE-](#)

[62892NL](#) [PE-92100NL](#) [PG0434.801NLT](#) [PG0936.113NLT](#) [PM06-2N7](#) [PM06-39NJ](#) [HC2LP-R47-R](#) [HC2-R47-R](#) [HC3-2R2-R](#) [HC8-1R2-R](#)