

## ■ Features

- Ultra low profile.
- Magnetic shielded for low radiation.
- Bobbin ferrite core and compact size.
- Low core loss for high frequency power application.
- Large terminal surface for good PCB bonding.
- Operating temperature:-40°C ~ +125°C.

## ■ Applications

- Portable communication equipment.
- Notebook PC,digital camera,LCD television set.
- Power supply for VTR,OA equipment.
- DC/DC converters.

## ■ Product Identification

$\frac{\text{YPRH}}{(1)}$      $\frac{\square\square\square\square}{(2)}$  -  $\frac{\square\square\square}{(3)}$      $\frac{\square}{(4)}$

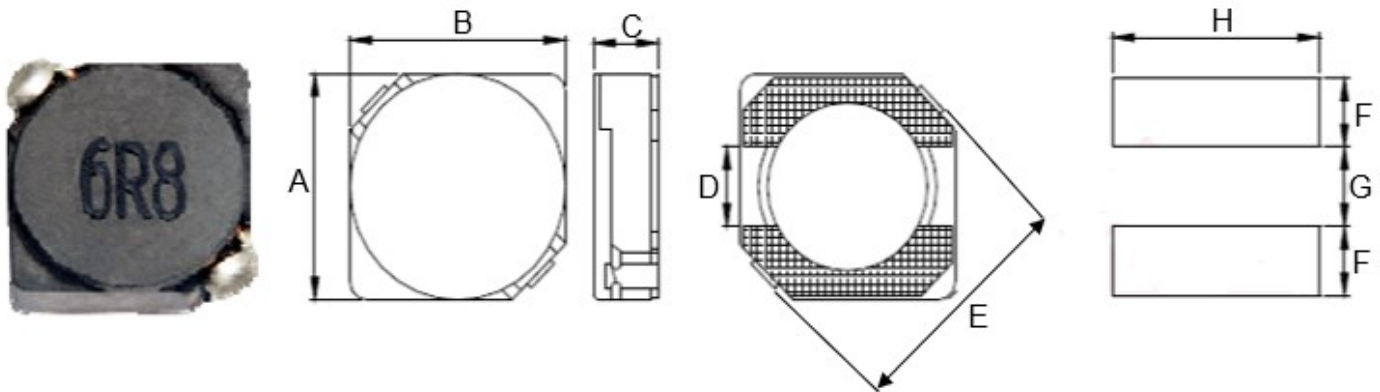
(1) : Type

(2) : Dimensions

(3) : Inductance value

(4) : Inductance Tolerance; N=±30%,M=±20%, K=±10%

**Shapes and Dimensions (Unit: mm)**



| TYPE     | A       | B       | C max. | D    | E   | F Ref. | G Ref. | H Ref. |
|----------|---------|---------|--------|------|-----|--------|--------|--------|
| YPRH6D28 | 6.7±0.3 | 6.7±0.3 | 3.0    | 2.00 | 9.5 | 2.65   | 2.0    | 7.3    |

**YPRH6D28 Series**

| Part Number   | Inductance (uH) | Test Freq.(KHz) | DCR MAX.(Ω) | Rated Current (A) |
|---------------|-----------------|-----------------|-------------|-------------------|
| YPRH6D28-1R0□ | 1.0             | 100             | 0.0132      | 5.50              |
| YPRH6D28-2R0□ | 2.0             | 100             | 0.0210      | 4.00              |
| YPRH6D28-2R2□ | 2.2             | 100             | 0.024       | 3.60              |
| YPRH6D28-3R0□ | 3.0             | 100             | 0.024       | 3.00              |
| YPRH6D28-3R3□ | 3.3             | 100             | 0.025       | 2.80              |
| YPRH6D28-3R9□ | 3.9             | 100             | 0.027       | 2.60              |
| YPRH6D28-4R7□ | 4.7             | 100             | 0.030       | 2.50              |
| YPRH6D28-5R0□ | 5.0             | 100             | 0.031       | 2.40              |
| YPRH6D28-5R6□ | 5.6             | 100             | 0.035       | 2.30              |
| YPRH6D28-6R0□ | 6.0             | 100             | 0.040       | 2.25              |
| YPRH6D28-6R8□ | 6.8             | 100             | 0.042       | 2.20              |
| YPRH6D28-7R2□ | 7.2             | 100             | 0.054       | 2.10              |
| YPRH6D28-8R6□ | 8.6             | 100             | 0.058       | 1.85              |
| YPRH6D28-100□ | 10.0            | 100             | 0.065       | 1.70              |

## ■ YPRH6D28 Series

| Part Number   | Inductance (uH) | Test Freq.(KHz) | DCR MAX.(Ω) | Rated Current (A) |
|---------------|-----------------|-----------------|-------------|-------------------|
| YPRH6D28-120□ | 12.0            | 100             | 0.070       | 1.55              |
| YPRH6D28-150□ | 15.0            | 100             | 0.084       | 1.40              |
| YPRH6D28-180□ | 18.0            | 100             | 0.095       | 1.32              |
| YPRH6D28-220□ | 22.0            | 100             | 0.128       | 1.20              |
| YPRH6D28-270□ | 27.0            | 100             | 0.142       | 1.05              |
| YPRH6D28-330□ | 33.0            | 100             | 0.165       | 0.97              |
| YPRH6D28-390□ | 39.0            | 100             | 0.210       | 0.86              |
| YPRH6D28-470□ | 47.0            | 100             | 0.238       | 0.80              |
| YPRH6D28-560□ | 56.0            | 100             | 0.277       | 0.73              |
| YPRH6D28-680□ | 68.0            | 100             | 0.304       | 0.65              |
| YPRH6D28-820□ | 82.0            | 100             | 0.390       | 0.60              |
| YPRH6D28-101□ | 100             | 100             | 0.535       | 0.54              |
| YPRH6D28-121□ | 120             | 100             | 0.750       | 0.51              |
| YPRH6D28-151□ | 150             | 100             | 0.950       | 0.47              |
| YPRH6D28-181□ | 180             | 100             | 1.200       | 0.41              |
| YPRH6D28-221□ | 220             | 100             | 1.500       | 0.37              |
| YPRH6D28-271□ | 270             | 100             | 1.700       | 0.33              |
| YPRH6D28-331□ | 330             | 100             | 2.150       | 0.28              |
| YPRH6D28-391□ | 390             | 100             | 2.250       | 0.27              |
| YPRH6D28-471□ | 470             | 100             | 3.150       | 0.21              |

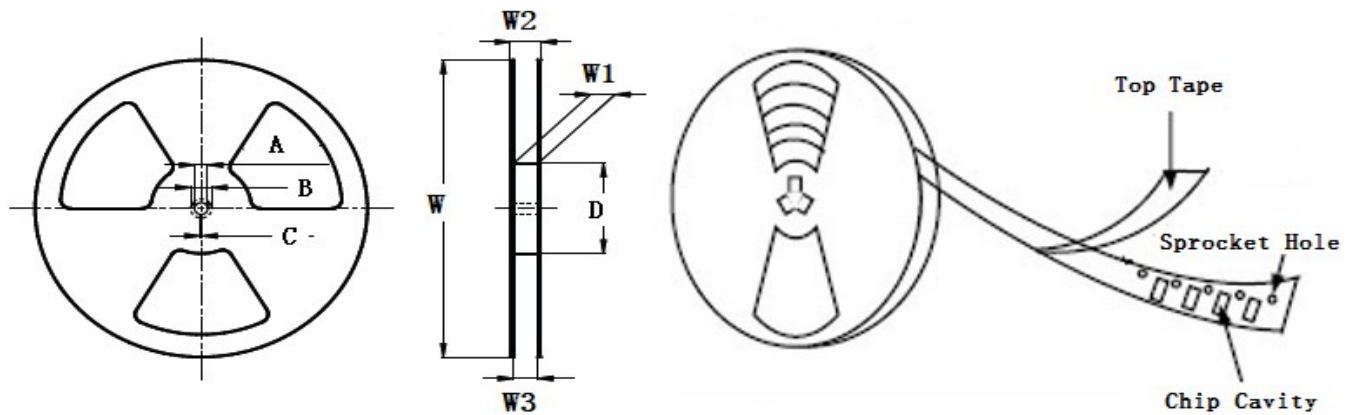
- ※ The saturation current value is the DC current value having inductance decrease down to 30%.(at 20°C)
- ※ The temperature rise current value is the DC current value having temperature increase up to 40°C. (at 20°C)
- ※ The rated current is the DC current value that satisfies both of current value saturation current value and temperature rise current value.

**Taping Dimensions(Unit:mm)**



| TYPE     | W      | A        | B        | C    | D       | E        | P      | K Ref | T         | MPQ  |
|----------|--------|----------|----------|------|---------|----------|--------|-------|-----------|------|
| YPRH6D28 | 16±0.3 | 8.85±0.1 | 7.10±0.1 | 6.75 | 7.5±0.1 | 2.95±0.1 | 12±0.1 | 3.15  | 0.30±0.05 | 1000 |

**Reel Dimensions(Unit:mm)**



| TYPE     | W       | W1       | W2       | W3       | A         | B         | C        | D       |
|----------|---------|----------|----------|----------|-----------|-----------|----------|---------|
| YPRH6D28 | 330±2.0 | 16.4±2.0 | 22.4 Max | 15.9 Min | 13.0±0.50 | 21.0±0.80 | 2.0±0.50 | 100 Min |

**Direction of rolling**



**Cover tape peel off condition**



Cover tape peel force shall be 0.1N to 1.3N.

Reference peel speed  $300 \pm 10$ mm/min.

## X-ON Electronics

Largest Supplier of Electrical and Electronic Components

*Click to view similar products for [Fixed Inductors](#) category:*

*Click to view products by [YJYCOIN](#) manufacturer:*

Other Similar products are found below :

[MLZ1608M6R8WTD25](#) [MLZ1608N6R8LT000](#) [MLZ1608N3R3LTD25](#) [MLZ1608N3R3LT000](#) [MLZ1608N150LT000](#)  
[MLZ1608M150WTD25](#) [MLZ1608M3R3WTD25](#) [MLZ1608M3R3WT000](#) [MLZ1608M150WT000](#) [MLZ1608A1R5WT000](#)  
[MLZ1608N1R5LT000](#) [B82432C1333K000](#) [PCMB053T-1R0MS](#) [PCMB053T-1R5MS](#) [PCMB104T-1R5MS](#) [CR32NP-100KC](#) [CR32NP-151KC](#) [CR32NP-180KC](#) [CR32NP-181KC](#) [CR32NP-1R5MC](#) [CR32NP-390KC](#) [CR32NP-3R9MC](#) [CR32NP-680KC](#) [CR32NP-820KC](#)  
[CR32NP-8R2MC](#) [CR43NP-390KC](#) [CR43NP-560KC](#) [CR43NP-680KC](#) [CR54NP-181KC](#) [CR54NP-470LC](#) [CR54NP-820KC](#) [CR54NP-8R5MC](#)  
[MGDQ4-00004-P](#) [MGDU1-00016-P](#) [MHL1ECTTP18NJ](#) [MHL1JCTTD12NJ](#) [PE-51506NL](#) [PE-53601NL](#) [PE-53630NL](#) [PE-53824SNLT](#) [PE-62892NL](#) [PE-92100NL](#) [PG0434.801NLT](#) [PG0936.113NLT](#) [PM06-2N7](#) [PM06-39NJ](#) [HC2LP-R47-R](#) [HC2-R47-R](#) [HC3-2R2-R](#) [HC8-1R2-R](#)