

## ■ Features

- Ultra low profile.
- Magnetic shielded for low radiation.
- Bobbin ferrite core and compact size.
- Low core loss for high frequency power application.
- Large terminal surface for good PCB bonding.
- Operating temperature:-40°C ~ +125°C.

## ■ Applications

- Portable communication equipment.
- Notebook PC,digital camera,LCD television set.
- Power supply for VTR,OA equipment.
- DC/DC converters.

## ■ Product Identification

$\frac{\text{YPRH}}{(1)}$      $\frac{\square\square\square\square}{(2)}$  -  $\frac{\square\square\square}{(3)}$      $\frac{\square}{(4)}$

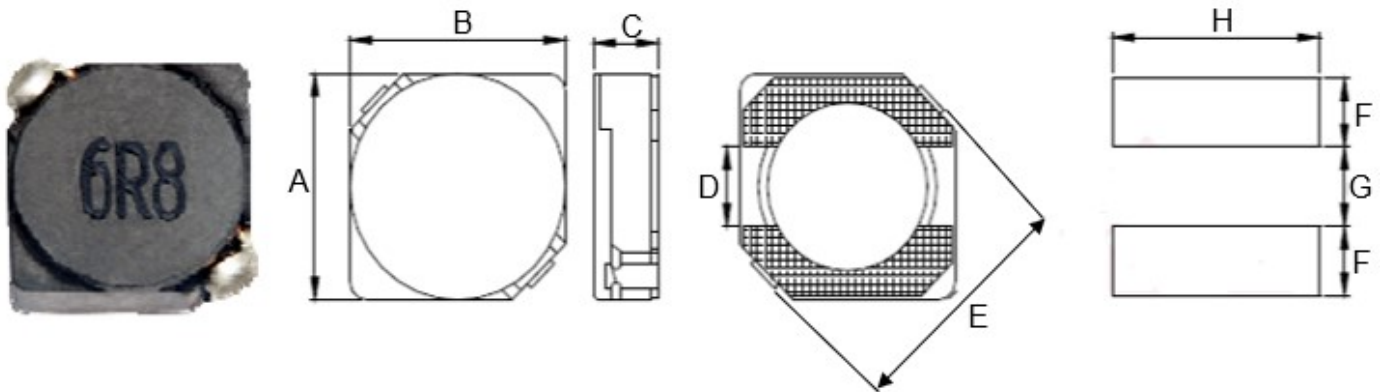
(1) : Type

(2) : Dimensions

(3) : Inductance value

(4) : Inductance Tolerance; N=±30%,M=±20%, K=±10%

**■ Shapes and Dimensions (Unit: mm)**



TYPE	A	B	C max.	D	E	F Ref.	G Ref.	H Ref.
YPRH6D38	6.7±0.3	6.7±0.3	4.0	2.00	9.5	2.65	2.0	7.3

**■ YPRH6D38 Series**

Part Number	Inductance (uH)	Test Freq.(KHz)	DCR MAX.(Ω)	Rated Current (A)
YPRH6D38-1R0□	1.0	100	0.017	7.00
YPRH6D38-1R5□	1.5	100	0.018	5.20
YPRH6D38-2R2□	2.2	100	0.018	4.50
YPRH6D38-2R5□	2.5	100	0.019	4.00
YPRH6D38-3R0□	3.0	100	0.020	3.50
YPRH6D38-3R3□	3.3	100	0.022	3.30
YPRH6D38-4R7□	4.7	100	0.024	3.00
YPRH6D38-5R0□	5.0	100	0.024	2.90
YPRH6D38-6R2□	6.2	100	0.027	2.50
YPRH6D38-6R8□	6.8	100	0.029	2.40
YPRH6D38-7R3□	7.3	100	0.031	2.30
YPRH6D38-8R2□	8.2	100	0.034	2.20
YPRH6D38-100□	10.0	100	0.038	2.00
YPRH6D38-120□	12.0	100	0.053	1.70

Part Number	Inductance (uH)	Test Freq.(KHz)	DCR MAX.(Ω)	Rated Current (A)
YPRH6D38-150□	15.0	100	0.057	1.60
YPRH6D38-180□	18.0	100	0.092	1.50
YPRH6D38-220□	22.0	100	0.096	1.30
YPRH6D38-270□	27.0	100	0.109	1.20
YPRH6D38-330□	33.0	100	0.124	1.10
YPRH6D38-390□	39.0	100	0.138	1.00
YPRH6D38-470□	47.0	100	0.155	0.95
YPRH6D38-560□	56.0	100	0.202	0.85
YPRH6D38-680□	68.0	100	0.234	0.75
YPRH6D38-820□	82.0	100	0.324	0.70
YPRH6D38-101□	100	100	0.358	0.65
YPRH6D38-121□	120	100	0.470	0.59
YPRH6D38-151□	150	100	0.580	0.54
YPRH6D38-181□	180	100	0.690	0.49
YPRH6D38-221□	220	100	0.890	0.43
YPRH6D38-271□	270	100	1.290	0.40
YPRH6D38-331□	330	100	1.700	0.37
YPRH6D38-391□	390	100	1.750	0.34
YPRH6D38-471□	470	100	2.200	0.32
YPRH6D38-561□	560	100	2.850	0.29
YPRH6D38-681□	680	100	3.200	0.25
YPRH6D38-821□	820	100	4.050	0.22
YPRH6D38-102□	1000	100	5.700	0.20

- ※ The saturation current value is the DC current value having inductance decrease down to 30%.(at 20℃)
- ※ The temperature rise current value is the DC current value having temperature increase up to 40℃. (at 20℃)
- ※ The rated current is the DC current value that satisfies both of current value saturation current value and temperature rise current value.

**■ Taping Dimensions(Unit:mm)**



TYPE	W	A	B	C	D	E	P	K Ref	T	MPQ
YPRH6D38	16±0.3	7.25±0.1	7.25±0.1	6.75	7.5±0.1	4.00±0.1	12±0.1	4.20	0.35±0.05	1000

**■ Reel Dimensions(Unit:mm)**



TYPE	W	W1	W2	W3	A	B	C	D
YPRH6D38	330±2.0	16.4±2.0	22.4 Max	15.9 Min	13.0±0.50	21.0±0.80	2.0±0.50	100 Min

**Direction of rolling**



**Cover tape peel off condition**



Cover tape peel force shall be 0.1N to 1.3N.

Reference peel speed 300±10mm/min.

## X-ON Electronics

Largest Supplier of Electrical and Electronic Components

*Click to view similar products for [Fixed Inductors](#) category:*

*Click to view products by [YJYCOIN](#) manufacturer:*

Other Similar products are found below :

[MLZ1608M6R8WTD25](#) [MLZ1608N6R8LT000](#) [MLZ1608N3R3LTD25](#) [MLZ1608N3R3LT000](#) [MLZ1608N150LT000](#)  
[MLZ1608M150WTD25](#) [MLZ1608M3R3WTD25](#) [MLZ1608M3R3WT000](#) [MLZ1608M150WT000](#) [MLZ1608A1R5WT000](#)  
[MLZ1608N1R5LT000](#) [B82432C1333K000](#) [PCMB053T-1R0MS](#) [PCMB053T-1R5MS](#) [PCMB104T-1R5MS](#) [CR32NP-100KC](#) [CR32NP-151KC](#) [CR32NP-180KC](#) [CR32NP-181KC](#) [CR32NP-1R5MC](#) [CR32NP-390KC](#) [CR32NP-3R9MC](#) [CR32NP-680KC](#) [CR32NP-820KC](#)  
[CR32NP-8R2MC](#) [CR43NP-390KC](#) [CR43NP-560KC](#) [CR43NP-680KC](#) [CR54NP-181KC](#) [CR54NP-470LC](#) [CR54NP-820KC](#) [CR54NP-8R5MC](#)  
[MGDQ4-00004-P](#) [MGDU1-00016-P](#) [MHL1ECTTP18NJ](#) [MHL1JCTTD12NJ](#) [PE-51506NL](#) [PE-53601NL](#) [PE-53630NL](#) [PE-53824SNLT](#) [PE-62892NL](#) [PE-92100NL](#) [PG0434.801NLT](#) [PG0936.113NLT](#) [PM06-2N7](#) [PM06-39NJ](#) [HC2LP-R47-R](#) [HC2-R47-R](#) [HC3-2R2-R](#) [HC8-1R2-R](#)