

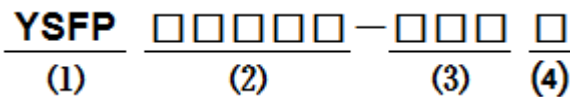
■ Features

- Assemblage design, sturdy structure.
- High inductance, high current, low magnetic loss, low ESR, small parasitic capacitance.
- Flat wire winding, achieve a low D.C. Resistance.
- Temperature rise current and saturation current is less influenced by environment.
- Operating temperature range: $-40^{\circ}\text{C} \sim +125^{\circ}\text{C}$.

■ Applications

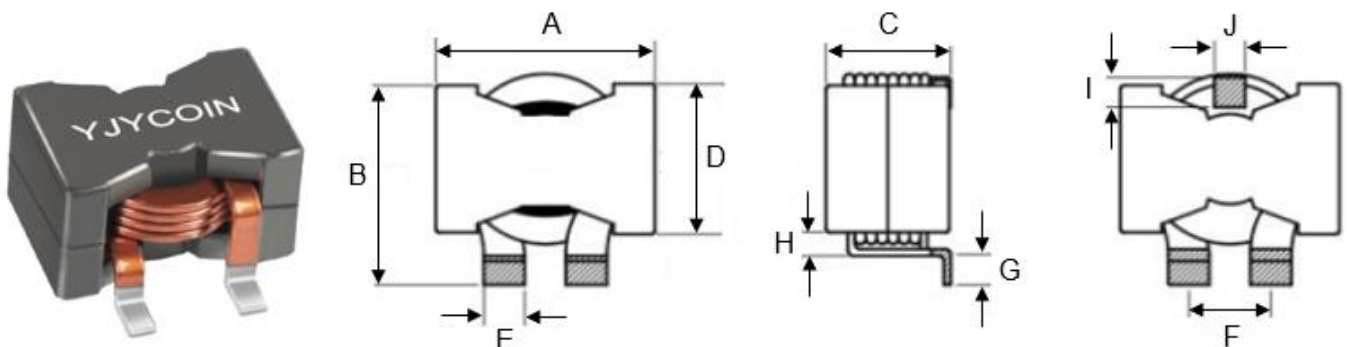
- Low profile, high current power supplies.
- Battery powered devices.
- DC/DC converters in distributed power systems.
- DC/DC converters for field programmable gate array.

■ Product Identification



- (1) : Type
- (2) : Dimensions
- (3) : Inductance value
- (4) : Inductance Tolerance: M= $\pm 20\%$, K= $\pm 10\%$, J= $\pm 5\%$

■ Shapes and Dimensions (Unit: mm)



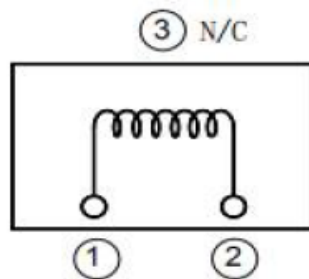
| TYPE | A | B Max. | C | D | E | F | G Min. | J | I |
|-----------|----------------|--------|----------------|----------------|---------------|----------------|--------|-----|-----|
| YSFP3218S | 32.0 \pm 1.0 | 34.0 | 18.5 \pm 0.5 | 22.5 \pm 1.0 | 6.0 \pm 0.3 | 12.5 \pm 0.5 | 3.8 | 4.5 | 4.5 |

Electrical requirements

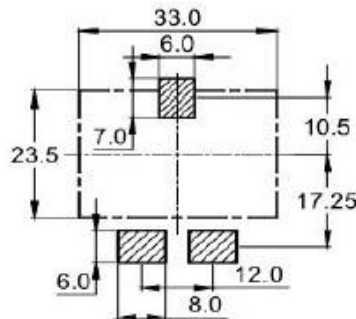
| Part Number | L (uH) | Test Freq. | DCR Max.(mΩ) | I sat (A) | I rms (A) |
|----------------|---------|-------------|--------------|-----------|-----------|
| YSFP3218S-3R3M | 3.3±20% | 100KHz/0.3V | 1.2 | 90 | 55 |

- ※ All test data is based on 25 °C ambient.
- ※ DC current(A) that will cause an approximate ΔT40°C.
- ※ DC current(A) that will cause L0 to drop approximately 20% Typ.
- ※ The part temperature (ambient + temp rise) should not exceed 125°C under worst case operating conditions.
Circuit design,component.PWB trace size and thickness,airflow and other cooling provision all affect the part temperature.Part temperature should be verified in the den application.

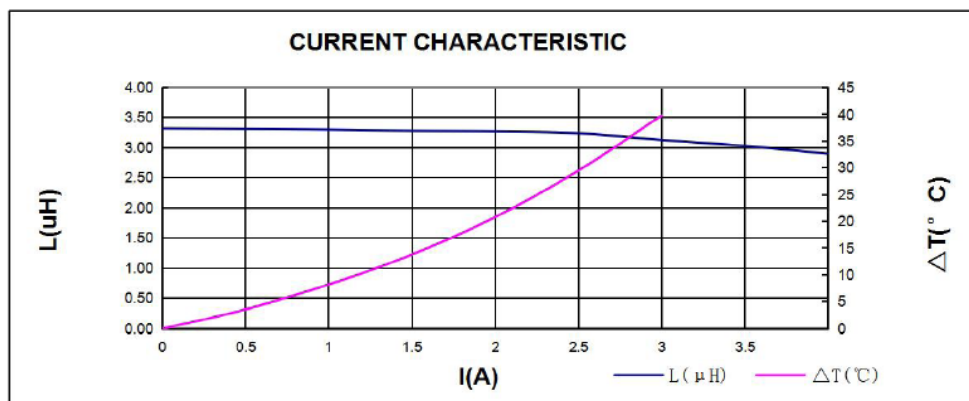
Electrical schematics



Recommended PCB Layout



Saturation current VS temperature rise current curve

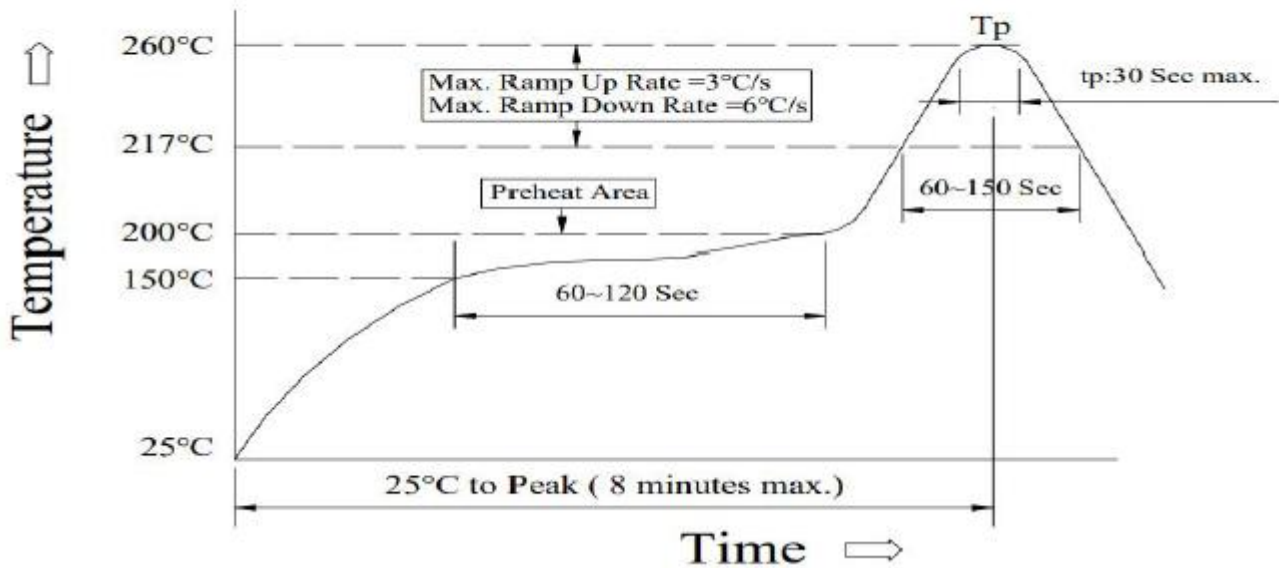


■ Reliability

| Item | Specification and Requirement | Test Method |
|----------------------------|---|---|
| Solder ability test | Terminals area must have 95% min solder coverage | Solder heat proof: ① Preheating: $160 \pm 10^{\circ}\text{C}$ for 90 seconds ② Retention time: $245 \pm 5^{\circ}\text{C}$ for 2 ± 0.5 seconds |
| Vibration test | Inductance change: Within $\pm 5\%$ Without Mechanical damage such as break | ① Vibration frequency: (10Hz to 55Hz to 10Hz) in 60 seconds as a period ② Vibration time: Period cycled for 2 hours in each of 3 mutual perpendicular directions. ③ Amplitude: 1.5mm Max. |
| Shock test | Inductance change: Within $\pm 5\%$ Without Mechanical damage such as break | ① Peak value: 100G. ② Duration of pulse: 11ms. ③ Times in each positive and negative direction of 3 mutual perpendicular directions |
| Thermal shock | Inductance change: Within $\pm 5\%$ Without Mechanical damage such as break | ① Repeat 100 cycle as follow ($-55 \pm 2^{\circ}\text{C}$ 30 \pm 3 minutes), Room temperature, 5 minutes ($+125 \pm 2^{\circ}\text{C}$, 30 \pm 3 minutes) ② Recovery: 48+4/-0 hours of recovery Under the standard condition after the test. (see Note 1) |
| High temperature life test | Inductance change: Within $\pm 5\%$ Without Mechanical damage such as break | ① Environment condition: $85 \pm 2^{\circ}\text{C}$ Applied current: Rated current ② Duration: 1000+4/-0 hours (see Note 1) |
| Humidity Resistance | Inductance change: Within $\pm 5\%$ Without Mechanical damage such as break | ① Environment condition: $60 \pm 2^{\circ}\text{C}$ Humidity: 90-95% Applied current: Rated current ② Duration: 1000+4/-0 hours (see Note 1) |
| Low temperature life test | Inductance change: Within $\pm 5\%$ Without Mechanical damage such as break | Store temperature $-55 \pm 2^{\circ}\text{C}$ for total 1000+4/-0 hours |
| High temperature life test | Inductance change: Within $\pm 5\%$ Without Mechanical damage such as break | Store temperature $+125 \pm 2^{\circ}\text{C}$ for total 1000+4/-0 hours |

Reflow Profile

Power Choke Coil Type



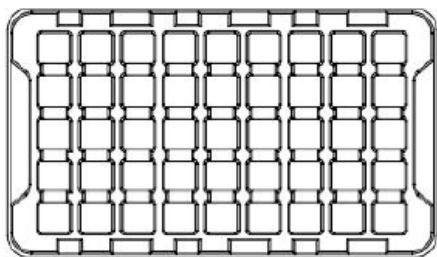
Reflow Soldering Method

| | |
|-------------------------------|------------------------------------|
| Reflow Soldering | Tp:255 ~ 260°C Max. 30 seconds(tp) |
| | 217°C 60 ~ 150 seconds |
| Pre-Heat | 150 ~ 200°C 60 ~ 150 seconds |
| Time 25°C to peak temperature | 8 minutes Max. |

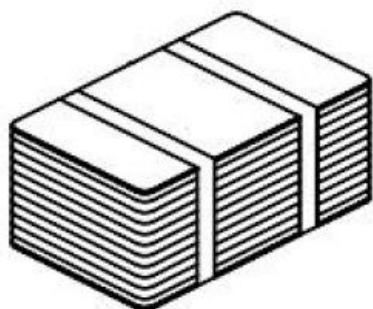
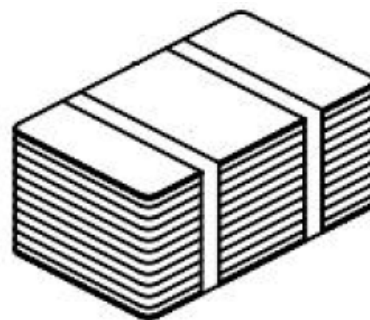
Soldering iron method

350±5°C Max.3 seconds.

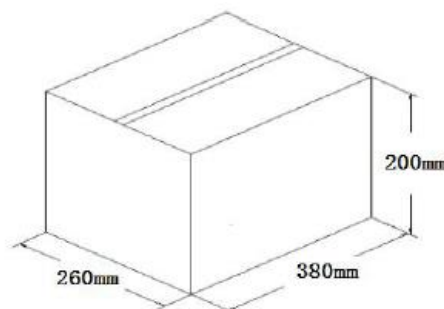
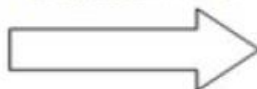
■ Packaging



Tray × 7



Bundle × 1



| Product Series | Quantity/Tray | Quantity/Carton |
|----------------|---------------|-----------------|
| YSFP3218S | 30 PCS | 210 PCS |

X-ON Electronics

Largest Supplier of Electrical and Electronic Components

Click to view similar products for [Fixed Inductors](#) category:

Click to view products by [YJYCOIN](#) manufacturer:

Other Similar products are found below :

[CR32NP-100KC](#) [70F224AI](#) [MHQ1005P10NJ](#) [MHQ1005P1N0S](#) [MHQ1005P2N4S](#) [MHQ1005P3N6S](#) [MHQ1005P5N1S](#) [MHQ1005P8N2J](#)
[PE-53601NL](#) [PE-53602NL](#) [PG0936.113NLT](#) [9220-20](#) [9310-16](#) [PM06-2N7](#) [PM06-39NJ](#) [A01TK](#) [1206CS-471XJ](#) [HC2-R47-R](#) [HC8-1R2-R](#)
[HCF1305-3R3-R](#) [1206CS-151XG](#) [RCH664NP-4R7M](#) [RCP1317NP-391L](#) [DH2280-4R7M](#) [DS1608C-106](#) [B10TJ](#) [B82498B3101J000](#) [ELJ-](#)
[RE27NJF2](#) [1812CS-153XJ](#) [1812CS-183XJ](#) [1812CS-223XJ](#) [1812LS-104XJ](#) [1812LS-105XJ](#) [1812LS-124XJ](#) [1812LS-154XJ](#) [1812LS-223XJ](#)
[1812LS-224XJ](#) [1812LS-563XJ](#) [1812LS-683XJ](#) [1812LS-824XJ](#) [NIN-FB101JTR110F](#) [NIN-FB471JTR62F](#) [NIN-FC1R5JTR220F](#) [NIN-](#)
[HCR15JTRF](#) [NIN-HCR33JTRF](#) [NIN-HDR22JTRF](#) [NIN-HDR82JTRF](#) [NIN-HK2N7STRF](#) [NIN-PA150KTR370F](#) [NIN-PB100KTR550F](#)