

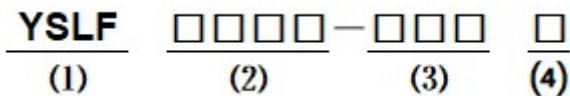
**■ Features**

- Low-profile type with low RDC and large current.
- The magnetic shielded type is suitable and high density mounting.
- Available on tape and reel for auto-insertion.
- Ideal for variety of DC-DC converter inductor applications..
- Operating temperature:-40°C ~ +125°C.

**■ Applications**

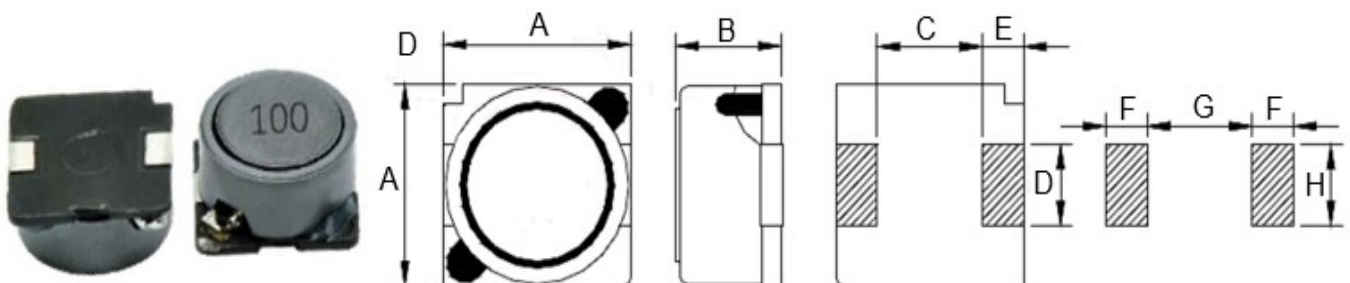
- Portable communication equipment.
- Notebook PC,digital camera,LCD television set.
- Power supply for VTR,OA equipment.
- DC/DC converters.

**■ Product Identification**



- (1) : Type
- (2) : Dimensions
- (3) : Inductance value
- (4) : Inductance Tolerance; N=±30%,M=±20%, K=±10%

**■ Shapes and Dimensions (Unit: mm)**



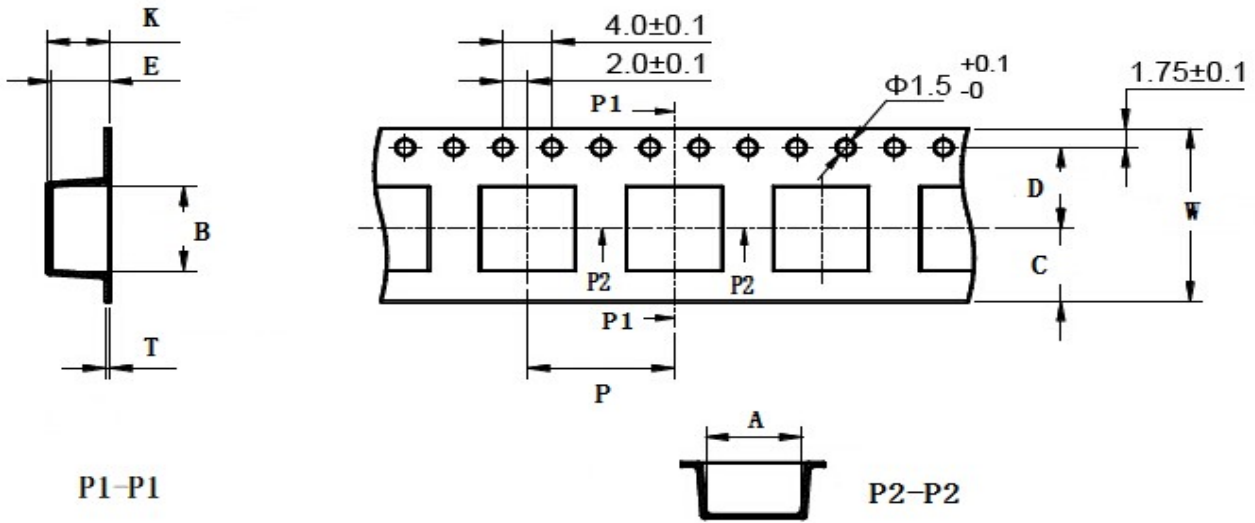
TYPE	A	B	C	D	E	F Ref.	G Ref.	H Ref.
YSLF7045	7.0±0.3	4.5±0.3	4.9±0.2	2.0±0.2	0.9	1.5	4.9	2.2

## ■ YSLF7045 Series

Part Number	Inductance (uH)	Test Freq.(KHz)	DCR Max.(Ω)	Rated Current Max. (A)
YSLF7045-2R2□	2.2	100	0.017	3.20
YSLF7045-2R7□	2.7	100	0.021	2.80
YSLF7045-3R3□	3.3	100	0.024	2.50
YSLF7045-4R7□	4.7	100	0.036	2.00
YSLF7045-5R6□	5.6	100	0.042	1.85
YSLF7045-6R8□	6.8	100	0.047	1.70
YSLF7045-8R2□	8.2	100	0.048	1.50
YSLF7045-100□	10	100	0.051	1.30
YSLF7045-120□	12	100	0.054	1.20
YSLF7045-150□	15	100	0.063	1.10
YSLF7045-180□	18	100	0.068	1.00
YSLF7045-220□	22	100	0.074	0.90
YSLF7045-330□	33	100	0.116	0.82
YSLF7045-470□	47	100	0.150	0.75
YSLF7045-680□	68	100	0.210	0.60
YSLF7045-101□	100	100	0.300	0.50
YSLF7045-151□	150	100	0.408	0.40
YSLF7045-221□	220	100	0.624	0.33
YSLF7045-331□	330	100	0.888	0.25
YSLF7045-471□	470	100	1.260	0.22
YSLF7045-681□	680	100	1.776	0.20
YSLF7045-102□	1000	100	2.736	0.14

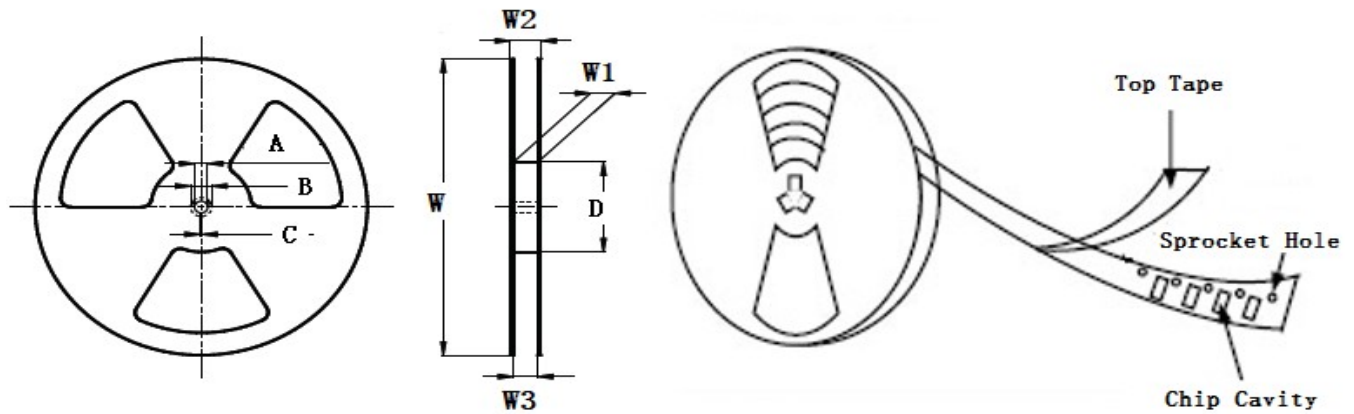
- ※ The saturation current value is the DC current value having inductance decrease down to 30%.(at 20°C)
- ※ The temperature rise current value is the DC current value having temperature increase up to 40°C. (at 20°C)
- ※ The rated current is the DC current value that satisfies both of current value saturation current value and temperature rise current value.

**■ Taping Dimensions(Unit:mm)**



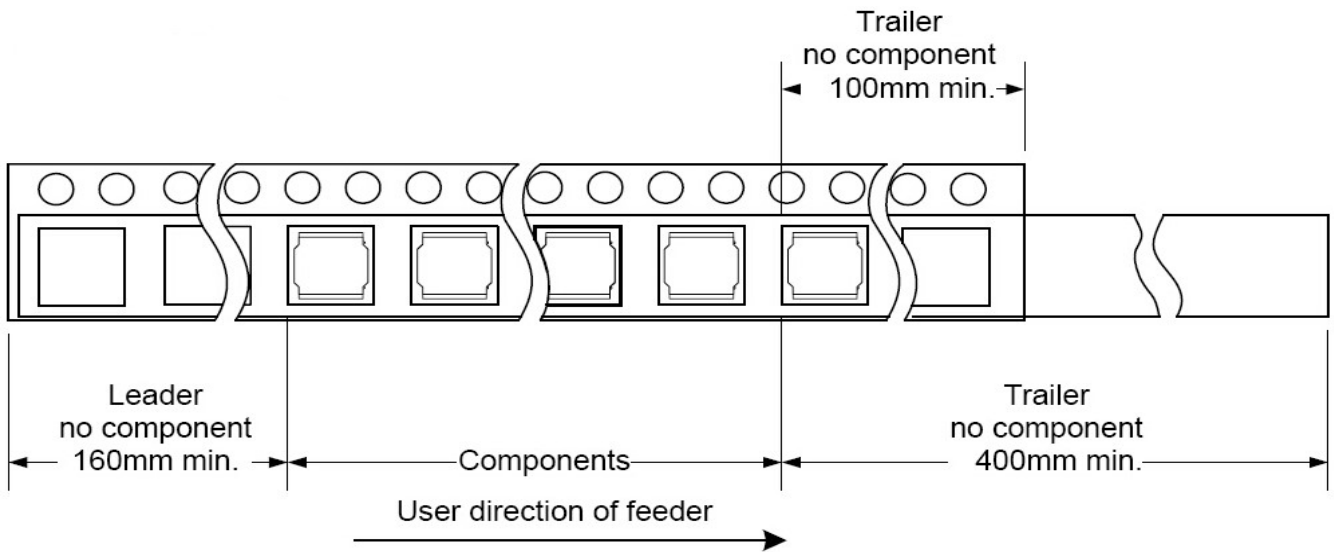
TYPE	W	A	B	C	D	E	P	K Ref	T	MPQ
YSLF7045	16±0.3	7.8±0.1	7.8±0.1	6.75	7.5±0.1	4.8±0.1	12±0.1	5.10	0.35±0.05	1000

**■ Reel Dimensions(Unit:mm)**

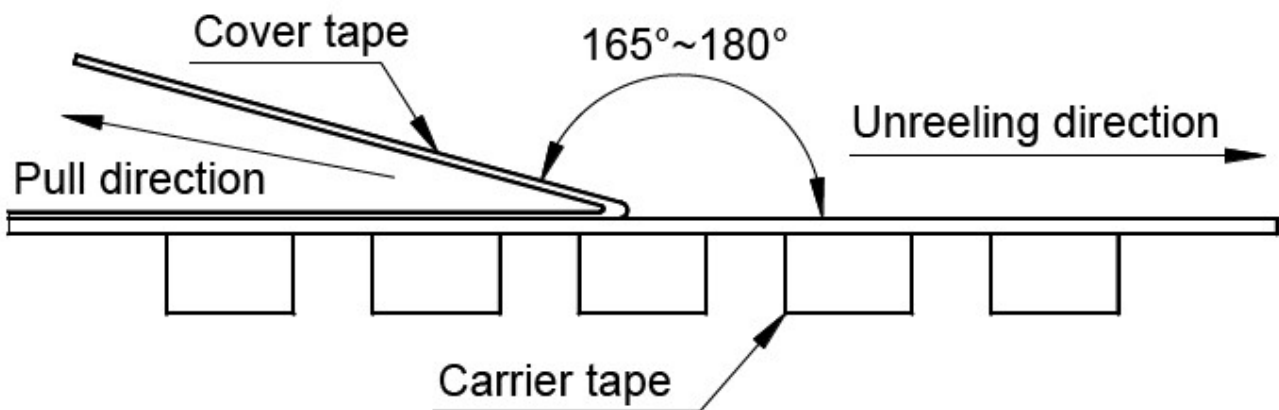


TYPE	W	W1	W2	W3	A	B	C	D
YSLF7045	330±2.0	16.4±2.00	22.4MAX	15.9 Min	13.0±0.50	21.0±0.80	2.0±0.50	100 Min

**Direction of rolling**



**Cover tape peel off condition**



Cover tape peel force shall be 0.1N to 1.3N.

Reference peel speed 300±10mm/min.

## X-ON Electronics

Largest Supplier of Electrical and Electronic Components

*Click to view similar products for [Fixed Inductors](#) category:*

*Click to view products by [YJYCOIN](#) manufacturer:*

Other Similar products are found below :

[MLZ1608M6R8WTD25](#) [MLZ1608N6R8LT000](#) [MLZ1608N3R3LTD25](#) [MLZ1608N3R3LT000](#) [MLZ1608N150LT000](#)  
[MLZ1608M150WTD25](#) [MLZ1608M3R3WTD25](#) [MLZ1608M3R3WT000](#) [MLZ1608M150WT000](#) [MLZ1608A1R5WT000](#)  
[MLZ1608N1R5LT000](#) [B82432C1333K000](#) [PCMB053T-1R0MS](#) [PCMB053T-1R5MS](#) [PCMB104T-1R5MS](#) [CR32NP-100KC](#) [CR32NP-151KC](#) [CR32NP-180KC](#) [CR32NP-181KC](#) [CR32NP-1R5MC](#) [CR32NP-390KC](#) [CR32NP-3R9MC](#) [CR32NP-680KC](#) [CR32NP-820KC](#)  
[CR32NP-8R2MC](#) [CR43NP-390KC](#) [CR43NP-560KC](#) [CR43NP-680KC](#) [CR54NP-181KC](#) [CR54NP-470LC](#) [CR54NP-820KC](#) [CR54NP-8R5MC](#)  
[MGDQ4-00004-P](#) [MGDU1-00016-P](#) [MHL1ECTTP18NJ](#) [MHL1JCTTD12NJ](#) [PE-51506NL](#) [PE-53601NL](#) [PE-53630NL](#) [PE-53824SNLT](#) [PE-62892NL](#) [PE-92100NL](#) [PG0434.801NLT](#) [PG0936.113NLT](#) [PM06-2N7](#) [PM06-39NJ](#) [HC2LP-R47-R](#) [HC2-R47-R](#) [HC3-2R2-R](#) [HC8-1R2-R](#)