

■ Features

- Molding Inductor.
- Low Profile,Low Temp.
- Large Current(Over 15A).
- Customize For Different Need.
- Operating temperature:-40℃ ~ +125℃.

■ Applications

- General Electronic.
- Video Device,TV,TFT.
- Power Module for PC.
- NB/Lap Top Computer.
- Server,VGA Card/Module.

■ Product Identification

$\frac{\text{YSPI}}{(1)} \quad \frac{\square\square\square\square}{(2)} - \frac{\square\square\square}{(3)} \quad \frac{\square}{(4)}$

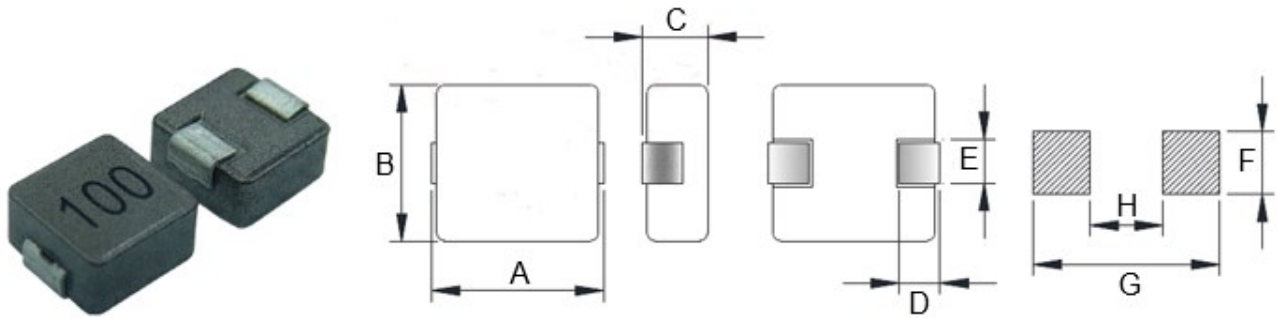
(1) : Type

(2) : Dimensions

(3) : Inductance value

(4) : Inductance Tolerance: N=±30%,M=±20%, K=±10%

■ 尺寸(单位: mm)



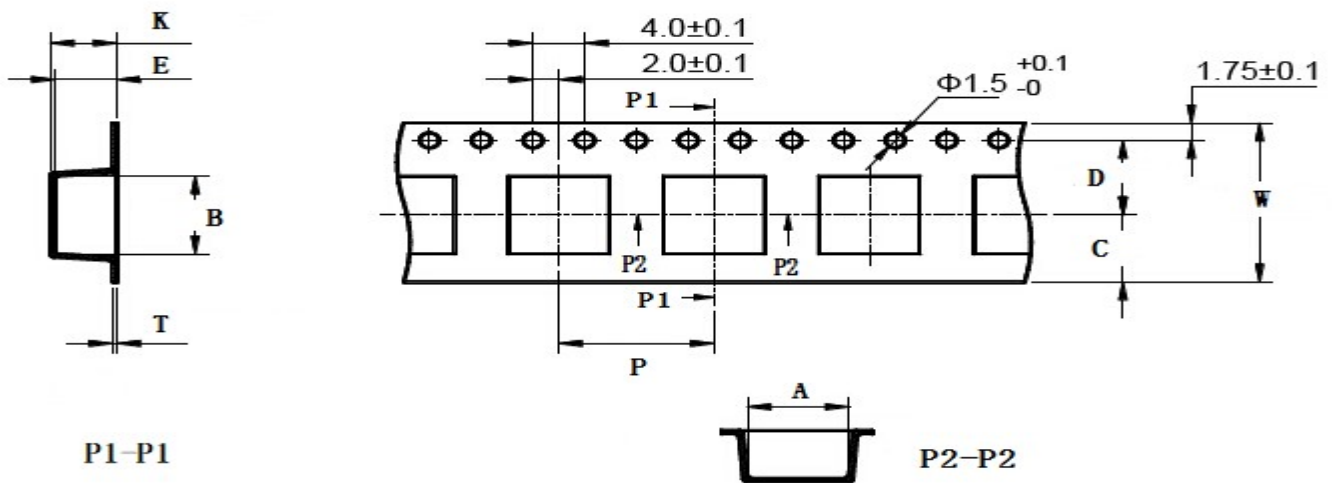
| TYPE | A | B | C Max. | D | E Ref. | F Ref. | G Ref. | H Ref. |
|----------|---------|---------|--------|---------|---------|--------|--------|--------|
| YSPI0420 | 4.4±0.5 | 4.2±0.3 | 2.0 | 1.0±0.3 | 1.5±0.5 | 2.3 | 4.9 | 2.1 |

■ YSPI0420 Series

| Part Number | Inductance (uH) @100KHz | DC Resistance (mΩ) | | Heat Rating Current (A) | Saturation Current (A) |
|---------------|----------------------------|--------------------|------|----------------------------|---------------------------|
| | | Typ. | Max. | | |
| YSPI0420-R10□ | 0.10 | 5.5 | 8.0 | 12.0 | 25.0 |
| YSPI0420-R22□ | 0.22 | 6.3 | 12.0 | 10.0 | 14.0 |
| YSPI0420-R33□ | 0.33 | 8.0 | 10.0 | 8.5 | 12.5 |
| YSPI0420-R47□ | 0.47 | 11.0 | 14.0 | 7.0 | 9.5 |
| YSPI0420-R56□ | 0.56 | 13.0 | 20.0 | 6.5 | 9.0 |
| YSPI0420-R68□ | 0.68 | 16.0 | 21.0 | 5.2 | 8.0 |
| YSPI0420-1R0□ | 1.00 | 21.0 | 28.0 | 4.5 | 7.0 |
| YSPI0420-1R2□ | 1.20 | 23.0 | 32.0 | 4.0 | 7.0 |
| YSPI0420-1R5□ | 1.50 | 28.0 | 38.0 | 4.0 | 7.0 |
| YSPI0420-2R2□ | 2.20 | 42.0 | 52.0 | 3.0 | 5.0 |
| YSPI0420-3R3□ | 3.30 | 60.0 | 79.0 | 2.5 | 4.0 |
| YSPI0420-4R7□ | 4.70 | 118 | 150 | 2.2 | 3.0 |
| YSPI0420-6R8□ | 6.80 | 130 | 170 | 2.0 | 2.5 |
| YSPI0420-8R2□ | 8.20 | 188 | 258 | 2.0 | 2.5 |
| YSPI0420-100□ | 10.0 | 225 | 294 | 1.6 | 2.0 |
| YSPI0420-220□ | 22.0 | 470 | 500 | 1.2 | 1.4 |

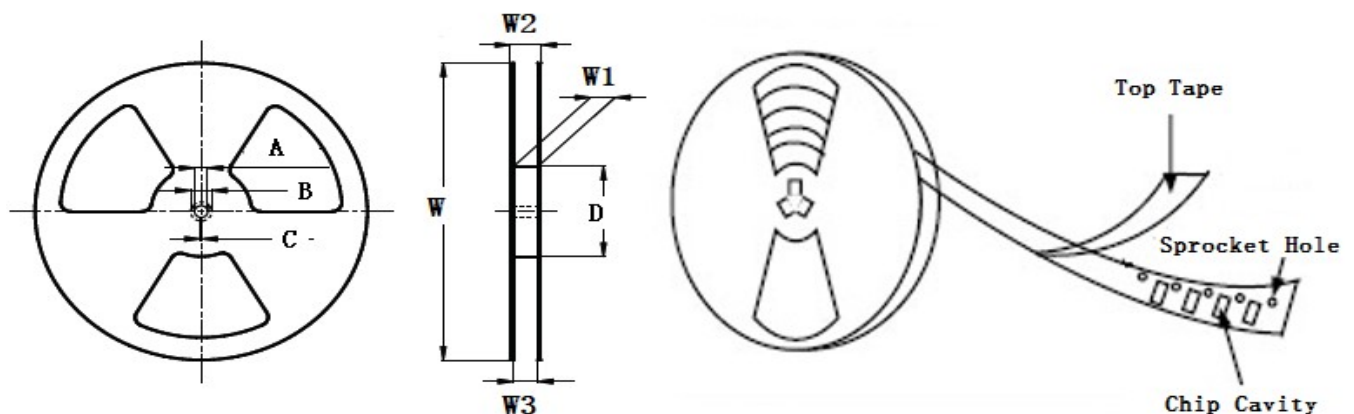
- ※ The saturation current value is the DC current value having inductance decrease down to 30%.(at 20°C)
- ※ The temperature rise current value is the DC current value having temperature increase up to 40°C. (at 20°C)
- ※ The rated current is the DC current value that satisfies both of current value saturation current value and temperature rise current value.

■ Taping Dimensions(Unit:mm)



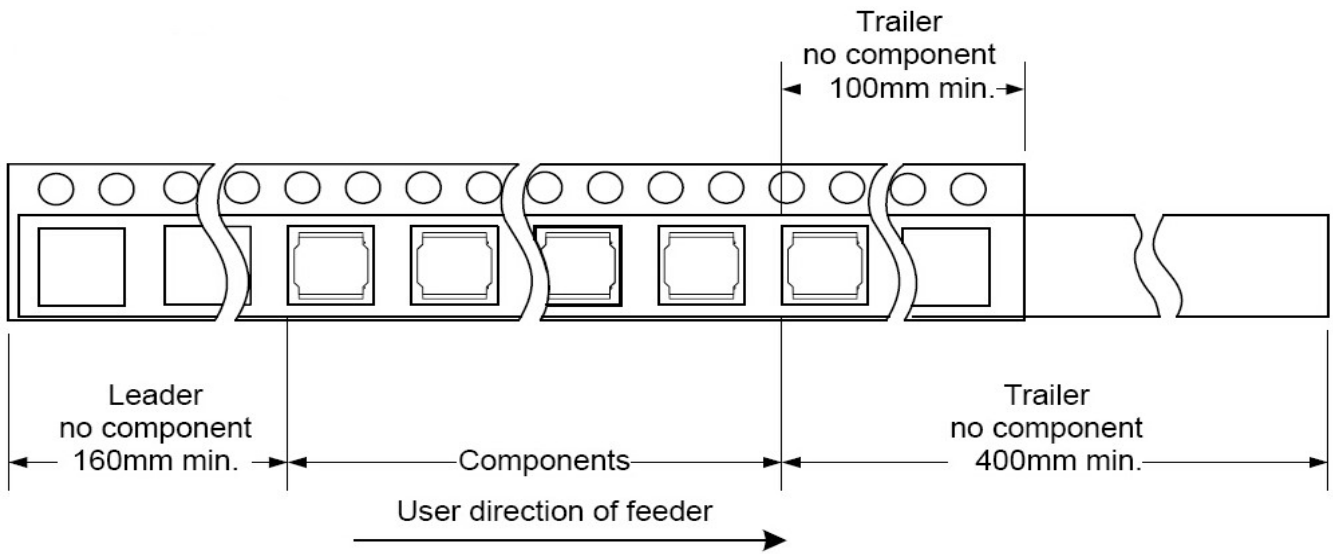
| TYPE | W | A | B | C | D | E | P | K Ref | T | MPQ |
|----------|--------|---------|----------|------|---------|---------|-------|-------|-----------|------|
| YSPI0420 | 12±0.3 | 4.3±0.1 | 5.10±0.1 | 4.75 | 5.5±0.1 | 2.1±0.1 | 8±0.1 | 2.2 | 0.30±0.05 | 3000 |

■ Reel Dimensions(Unit:mm)

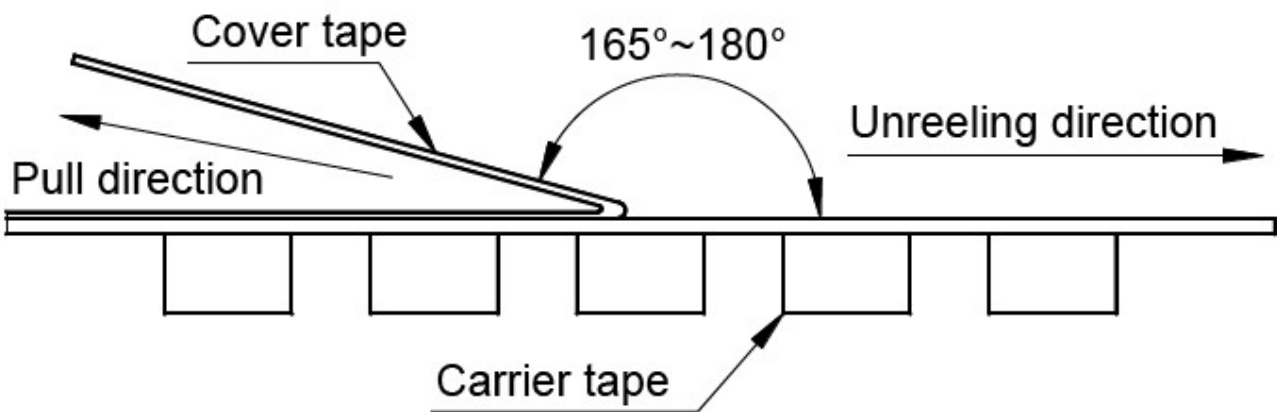


| TYPE | W | W1 | W2 | W3 | A | B | C | D |
|----------|---------|-----------|---------|---------|-----------|-----------|----------|---------|
| YSPI0420 | 330±2.0 | 12.4±1.50 | 18.4MAX | 11.9Min | 13.0±0.50 | 21.0±0.80 | 2.0±0.50 | 100 Min |

Direction of rolling



Cover tape peel off condition



Cover tape peel force shall be 0.1N to 1.3N.

Reference peel speed 300 ± 10 mm/min.

X-ON Electronics

Largest Supplier of Electrical and Electronic Components

Click to view similar products for [Fixed Inductors](#) category:

Click to view products by [YJYCOIN](#) manufacturer:

Other Similar products are found below :

[CR32NP-151KC](#) [CR32NP-180KC](#) [CR32NP-181KC](#) [CR32NP-1R5MC](#) [CR32NP-390KC](#) [CR32NP-3R9MC](#) [CR32NP-680KC](#) [CR32NP-820KC](#) [CR32NP-8R2MC](#) [CR43NP-390KC](#) [CR43NP-560KC](#) [CR43NP-680KC](#) [CR54NP-181KC](#) [CR54NP-470LC](#) [CR54NP-820KC](#) [CR54NP-8R5MC](#) [70F224AI](#) [MGDQ4-00004-P](#) [MHL1ECTTP18NJ](#) [MHQ1005P10NJ](#) [MHQ1005P1N0S](#) [MHQ1005P2N4S](#) [MHQ1005P3N6S](#) [MHQ1005P5N1S](#) [MHQ1005P8N2J](#) [PE-51506NL](#) [PE-53601NL](#) [PE-53602NL](#) [PE-53630NL](#) [PE-53824SNLT](#) [PE-92100NL](#) [PG0434.801NLT](#) [PG0936.113NLT](#) [9220-20](#) [9310-16](#) [PM06-2N7](#) [PM06-39NJ](#) [A01TK](#) [1206CS-471XJ](#) [HC2LP-R47-R](#) [HC2-R47-R](#) [HC3-2R2-R](#) [HCF1305-3R3-R](#) [1206CS-151XG](#) [RCH664NP-140L](#) [RCH664NP-4R7M](#) [RCH8011NP-221L](#) [RCP1317NP-332L](#) [RCP1317NP-391L](#) [RCR1010NP-470M](#)