

**■ Features**

- Molding Inductor.
- Low Profile,Low Temp.
- Large Current(Over 15A).
- Customize For Different Need.
- Operating temperature:-40℃ ~ +125℃.

**■ Applications**

- General Electronic.
- Video Device,TV,TFT.
- Power Module for PC.
- NB/Lap Top Computer.
- Server,VGA Card/Module.

**■ Product Identification**

YSPI    □□□□ - □□□    □  
(1)            (2)            (3)            (4)

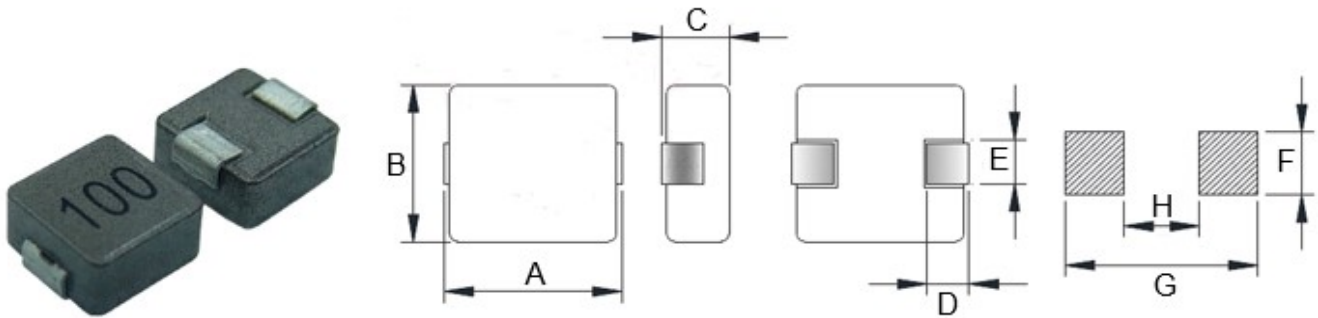
(1) : Type

(2) : Dimensions

(3) : Inductance value

(4) : Inductance Tolerance: N=±30%,M=±20%, K=±10%

## ■ Shapes and Dimensions (Unit: mm)



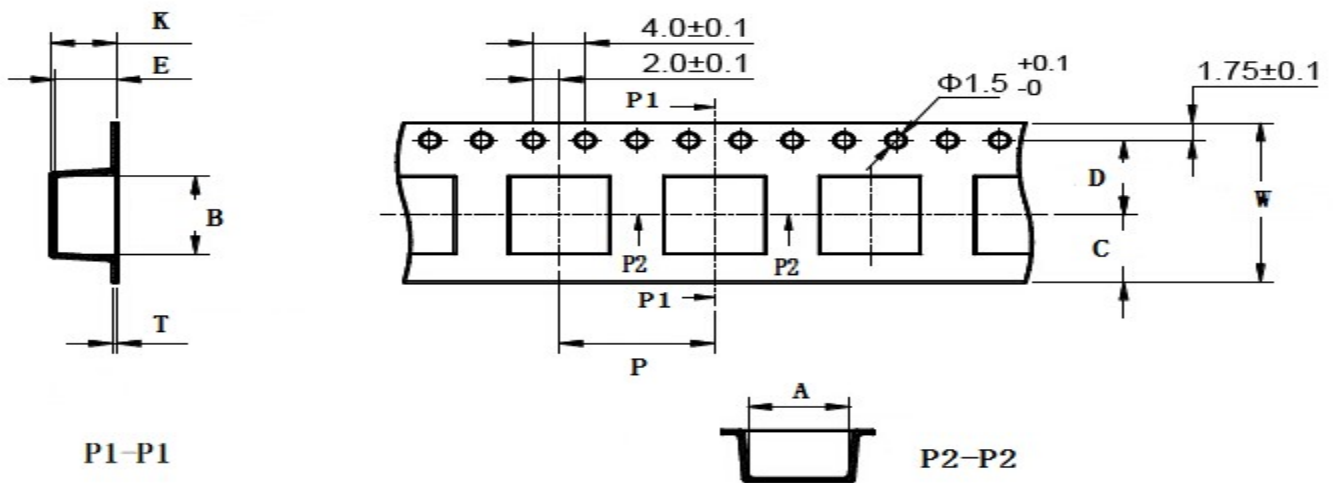
| TYPE     | A       | B       | C Max. | D       | E Ref.  | F Ref. | G Ref. | H Ref. |
|----------|---------|---------|--------|---------|---------|--------|--------|--------|
| YSPI0530 | 5.4±0.5 | 5.2±0.5 | 3.0    | 1.0±0.3 | 2.0±0.5 | 2.5    | 7.0    | 3.0    |

## ■ YSPI0530 Series

| Part Number   | Inductance<br>(uH) @100KHz | DC Resistance (mΩ) |      | Heat Rating<br>Current (A) | Saturation<br>Current (A) |
|---------------|----------------------------|--------------------|------|----------------------------|---------------------------|
|               |                            | Typ.               | Max. |                            |                           |
| YSPI0530-R20□ | 0.20                       | 3.0                | 3.9  | 13.0                       | 14.5                      |
| YSPI0530-R33□ | 0.33                       | 5.0                | 7.0  | 10.0                       | 15.0                      |
| YSPI0530-R47□ | 0.47                       | 8.0                | 14.0 | 10.0                       | 14.0                      |
| YSPI0530-R68□ | 0.68                       | 11.0               | 18.0 | 8.0                        | 14.0                      |
| YSPI0530-1R0□ | 1.00                       | 13.0               | 22.0 | 7.0                        | 11.0                      |
| YSPI0530-1R2□ | 1.20                       | 14.0               | 23.0 | 6.5                        | 11.0                      |
| YSPI0530-1R5□ | 1.50                       | 20.0               | 25.0 | 6.0                        | 10.0                      |
| YSPI0530-2R2□ | 2.20                       | 26.5               | 40.0 | 5.0                        | 8.0                       |
| YSPI0530-3R3□ | 3.30                       | 30.0               | 42.0 | 4.5                        | 7.0                       |
| YSPI0530-4R7□ | 4.70                       | 46.0               | 60.0 | 4.0                        | 6.0                       |
| YSPI0530-5R6□ | 5.60                       | 62.0               | 80.0 | 3.0                        | 4.0                       |
| YSPI0530-6R8□ | 6.80                       | 78.0               | 108  | 3.0                        | 5.0                       |
| YSPI0530-100□ | 10.0                       | 115                | 150  | 2.5                        | 4.5                       |
| YSPI0530-150□ | 15.0                       | 190                | 265  | 2.1                        | 2.5                       |
| YSPI0530-220□ | 22.0                       | 230                | 270  | 2.0                        | 2.0                       |

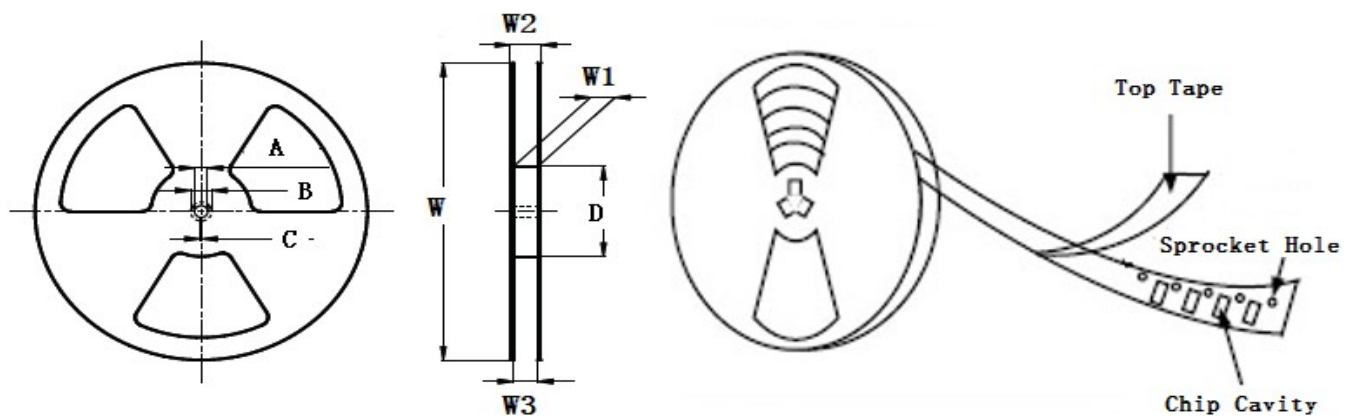
- ※ The saturation current value is the DC current value having inductance decrease down to 30%.(at 20°C)
- ※ The temperature rise current value is the DC current value having temperature increase up to 40°C. (at 20°C)
- ※ The rated current is the DC current value that satisfies both of current value saturation current value and temperature rise current value.

**■ Taping Dimensions(Unit:mm)**



| TYPE     | W      | A       | B        | C    | D       | E       | P     | K Ref | T         | MPQ  |
|----------|--------|---------|----------|------|---------|---------|-------|-------|-----------|------|
| YSPI0530 | 12±0.3 | 5.1±0.1 | 5.30±0.1 | 4.75 | 5.5±0.1 | 3.4±0.1 | 8±0.1 | 3.2   | 0.35±0.05 | 2000 |

**■ Reel Dimensions(Unit:mm)**

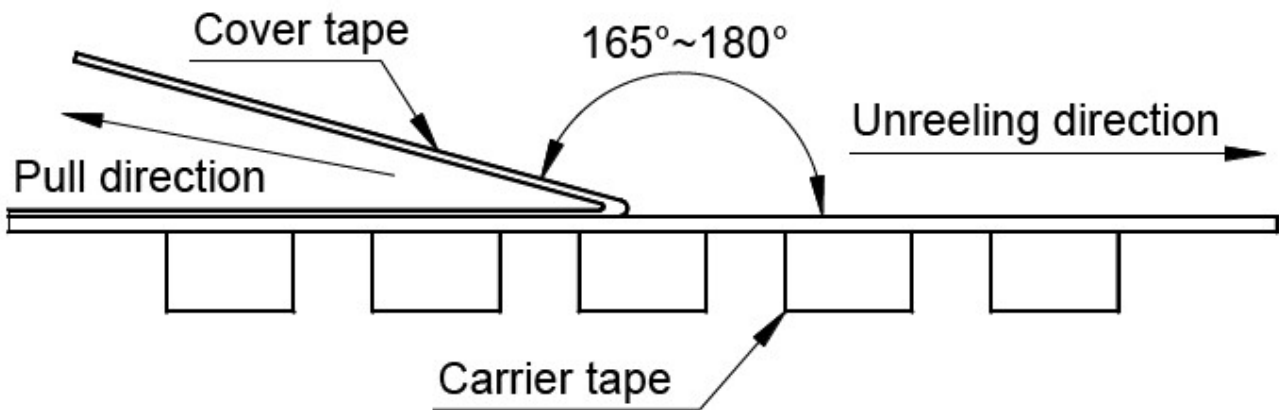


| TYPE     | W       | W1        | W2      | W3       | A         | B         | C        | D       |
|----------|---------|-----------|---------|----------|-----------|-----------|----------|---------|
| YSPI0530 | 330±2.0 | 12.4±2.00 | 18.4MAX | 11.9 Min | 13.0±0.50 | 21.0±0.80 | 2.0±0.50 | 100 Min |

**Direction of rolling**



**Cover tape peel off condition**



Cover tape peel force shall be 0.1N to 1.3N.

Reference peel speed  $300 \pm 10$ mm/min.

## X-ON Electronics

Largest Supplier of Electrical and Electronic Components

*Click to view similar products for [Fixed Inductors](#) category:*

*Click to view products by [YJYCOIN](#) manufacturer:*

Other Similar products are found below :

[MLZ1608M6R8WTD25](#) [MLZ1608N6R8LT000](#) [MLZ1608N3R3LTD25](#) [MLZ1608N3R3LT000](#) [MLZ1608N150LT000](#)

[MLZ1608M150WTD25](#) [MLZ1608M3R3WTD25](#) [MLZ1608M3R3WT000](#) [MLZ1608M150WT000](#) [MLZ1608A1R5WT000](#)

[MLZ1608N1R5LT000](#) [B82432C1333K000](#) [PCMB053T-1R0MS](#) [PCMB053T-1R5MS](#) [PCMB104T-1R5MS](#) [CR32NP-100KC](#) [CR32NP-](#)

[151KC](#) [CR32NP-180KC](#) [CR32NP-181KC](#) [CR32NP-1R5MC](#) [CR32NP-390KC](#) [CR32NP-3R9MC](#) [CR32NP-680KC](#) [CR32NP-820KC](#)

[CR32NP-8R2MC](#) [CR43NP-390KC](#) [CR43NP-560KC](#) [CR43NP-680KC](#) [CR54NP-181KC](#) [CR54NP-470LC](#) [CR54NP-820KC](#) [CR54NP-8R5MC](#)

[MGDQ4-00004-P](#) [MGDU1-00016-P](#) [MHL1ECTTP18NJ](#) [MHL1JCTTD12NJ](#) [PE-51506NL](#) [PE-53601NL](#) [PE-53630NL](#) [PE-53824SNLT](#) [PE-](#)

[62892NL](#) [PE-92100NL](#) [PG0434.801NLT](#) [PG0936.113NLT](#) [PM06-2N7](#) [PM06-39NJ](#) [HC2LP-R47-R](#) [HC2-R47-R](#) [HC3-2R2-R](#) [HC8-1R2-R](#)