

■ Features

- Molding Inductor.
- Low Profile,Low Temp.
- Large Current(Over 15A).
- Customize For Different Need.
- Operating temperature:-40℃ ~ +125℃.

■ Applications

- General Electronic.
- Video Device,TV,TFT.
- Power Module for PC.
- NB/Lap Top Computer.
- Server,VGA Card/Module.

■ Product Identification

YSPI □□□□□ - □□□ □
 (1) (2) (3) (4)

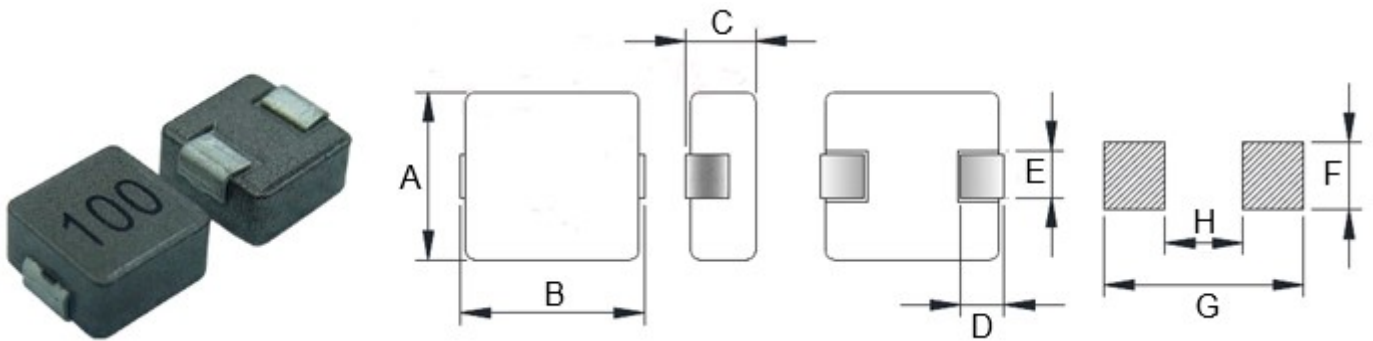
(1) : Type

(2) : Dimensions

(3) : Inductance value

(4) : Inductance Tolerance: N=±30%,M=±20%, K=±10%

■ Shapes and Dimensions (Unit: mm)



TYPE	A	B	C Max.	D	E Ref.	F Ref.	G Ref.	H Ref.
YSPI0630A	6.6±0.5	7.1±0.5	3.0	1.5±0.5	3.0±0.3	3.4	7.3	3.7

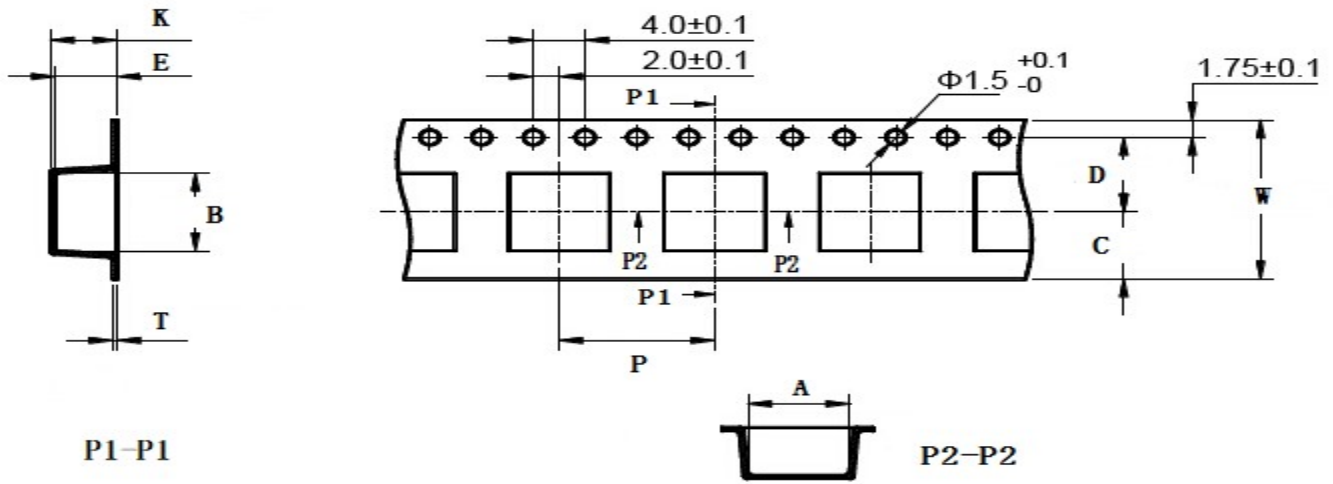
■ YSPI0630A Series

Part Number	Inductance (uH) @100KHz	DC Resistance (mΩ)		Heat Rating Current (A)	Saturation Current (A)
		Typ.	Max.		
YSPI0630A-R10□	0.10	1.5	1.7	32.5	60.0
YSPI0630A-R15□	0.15	1.9	2.5	26.0	52.0
YSPI0630A-R22□	0.22	2.3	2.9	23.0	40.0
YSPI0630A-R33□	0.33	3.2	4.2	20.0	33.0
YSPI0630A-R47□	0.47	3.6	5.5	16.5	27.0
YSPI0630A-R56□	0.56	4.3	5.7	16.5	25.5
YSPI0630A-R68□	0.68	5.7	7.4	15.5	25
YSPI0630A-R82□	0.82	6.7	8.0	13.0	24.0
YSPI0630A-1R0□	1.00	9.0	10.0	12.0	22.0
YSPI0630A-1R5□	1.50	10.5	15.0	9.5	18.0
YSPI0630A-2R2□	2.20	12.5	20.0	8.5	14.0
YSPI0630A-3R3□	3.30	20.0	35.0	6.0	12.0
YSPI0630A-4R7□	4.70	28.0	40.0	5.5	9.0
YSPI0630A-5R6□	5.60	34.0	45.0	5.5	8.0

Part Number	Inductance (uH) @100KHz	DC Resistance (mΩ)		Heat Rating Current (A)	Saturation Current (A)
		Typ.	Max.		
YSPI0630A-6R8□	6.80	40.0	60.0	4.5	7.0
YSPI0630A-8R2□	8.20	54.0	68.0	4.5	6.0
YSPI0630A-100□	10.0	60.0	102	4.0	5.5
YSPI0630A-150□	15.0	98.0	122	3.0	5.0
YSPI0630A-220□	22.0	130	145	3.0	3.2
YSPI0630A-330□	33.0	209	270	2.0	3.0

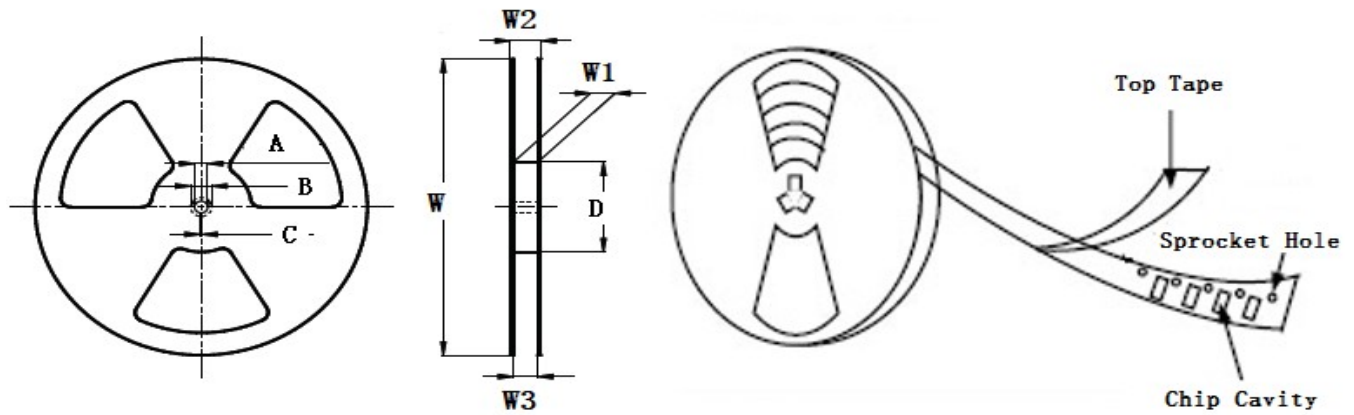
- ※ The saturation current value is the DC current value having inductance decrease down to 30%.(at 20°C)
- ※ The temperature rise current value is the DC current value having temperature increase up to 40°C. (at 20°C)
- ※ The rated current is the DC current value that satisfies both of current value saturation current value and temperature rise current value.

■ Taping Dimensions(Unit:mm)



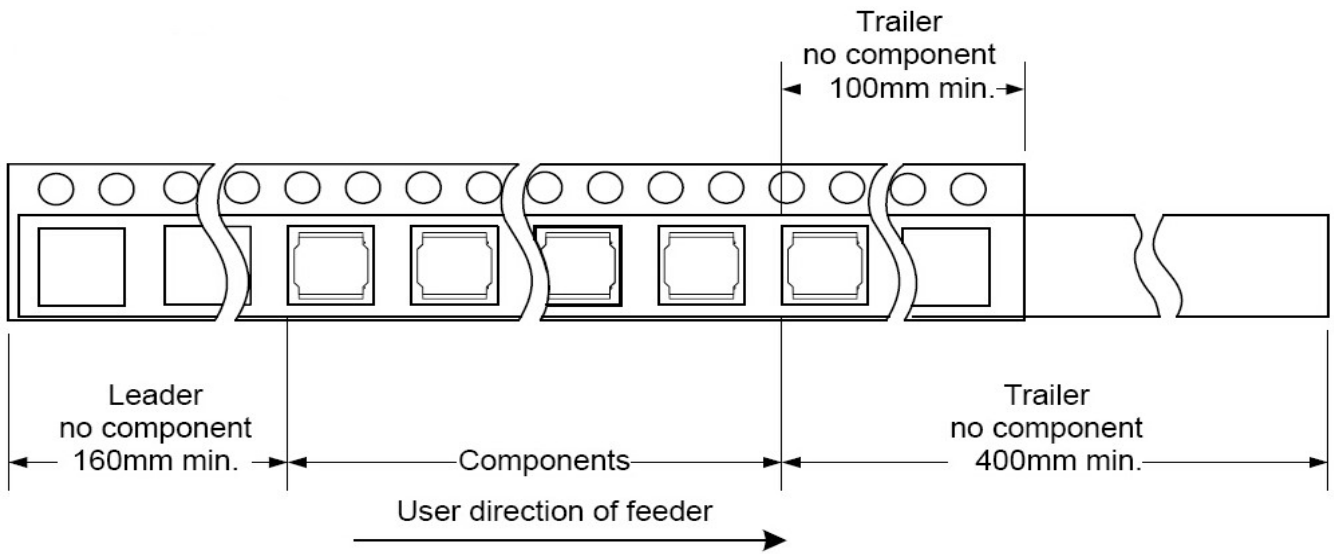
TYPE	W	A	B	C	D	E	P	K Ref	T	MPQ
YSPI0630A	16±0.3	7.1±0.1	7.30±0.1	6.75	7.5±0.1	3.4±0.1	12±0.1	3.2	0.40±0.05	1000

■ Reel Dimensions(Unit:mm)

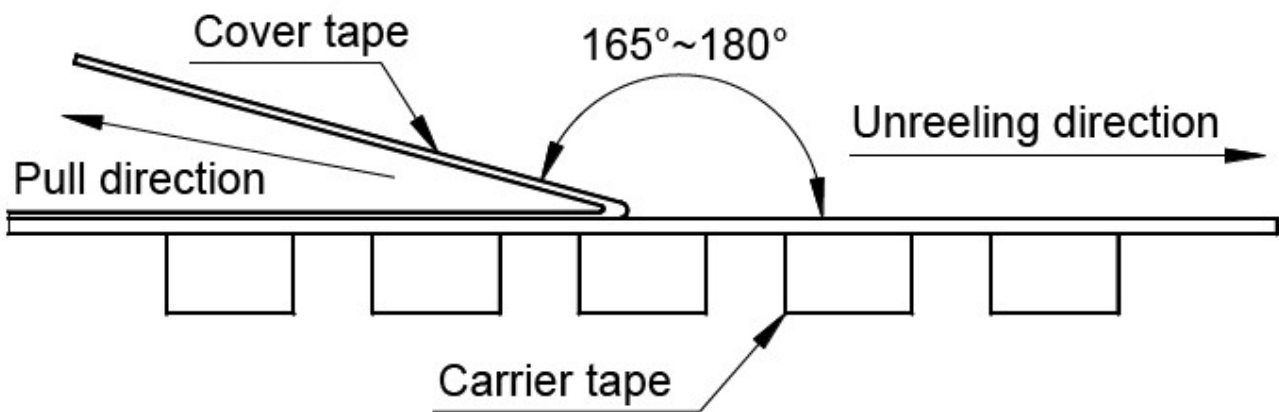


TYPE	W	W1	W2	W3	A	B	C	D
YSPI0630A	330±2.0	16.4±2.00	22.4MAX	15.9 Min	13.0±0.50	21.0±0.80	2.0±0.50	100 Min

Direction of rolling



Cover tape peel off condition



Cover tape peel force shall be 0.1N to 1.3N.

Reference peel speed 300 ± 10 mm/min.

X-ON Electronics

Largest Supplier of Electrical and Electronic Components

Click to view similar products for [Fixed Inductors](#) category:

Click to view products by [YJYCOIN](#) manufacturer:

Other Similar products are found below :

[MLZ1608M6R8WTD25](#) [MLZ1608N6R8LT000](#) [MLZ1608N3R3LTD25](#) [MLZ1608N3R3LT000](#) [MLZ1608N150LT000](#)
[MLZ1608M150WTD25](#) [MLZ1608M3R3WTD25](#) [MLZ1608M3R3WT000](#) [MLZ1608M150WT000](#) [MLZ1608A1R5WT000](#)
[MLZ1608N1R5LT000](#) [B82432C1333K000](#) [PCMB053T-1R0MS](#) [PCMB053T-1R5MS](#) [PCMB104T-1R5MS](#) [CR32NP-100KC](#) [CR32NP-151KC](#) [CR32NP-180KC](#) [CR32NP-181KC](#) [CR32NP-1R5MC](#) [CR32NP-390KC](#) [CR32NP-3R9MC](#) [CR32NP-680KC](#) [CR32NP-820KC](#)
[CR32NP-8R2MC](#) [CR43NP-390KC](#) [CR43NP-560KC](#) [CR43NP-680KC](#) [CR54NP-181KC](#) [CR54NP-470LC](#) [CR54NP-820KC](#) [CR54NP-8R5MC](#)
[MGDQ4-00004-P](#) [MGDU1-00016-P](#) [MHL1ECTTP18NJ](#) [MHL1JCTTD12NJ](#) [PE-51506NL](#) [PE-53601NL](#) [PE-53630NL](#) [PE-53824SNLT](#) [PE-62892NL](#) [PE-92100NL](#) [PG0434.801NLT](#) [PG0936.113NLT](#) [PM06-2N7](#) [PM06-39NJ](#) [HC2LP-R47-R](#) [HC2-R47-R](#) [HC3-2R2-R](#) [HC8-1R2-R](#)