

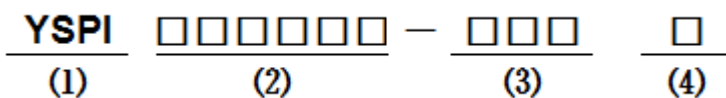
**■ Features**

- Molding Inductor.
- Low Profile,Low Temp.
- Large Current(Over 15A).
- Customize For Different Need.
- Operating temperature:-40°C ~ +125°C.

**■ Applications**

- General Electronic.
- Video Device,TV,TFT.
- Power Module for PC.
- NB/Lap Top Computer.
- Server,VGA Card/Module.

**■ Product Identification**



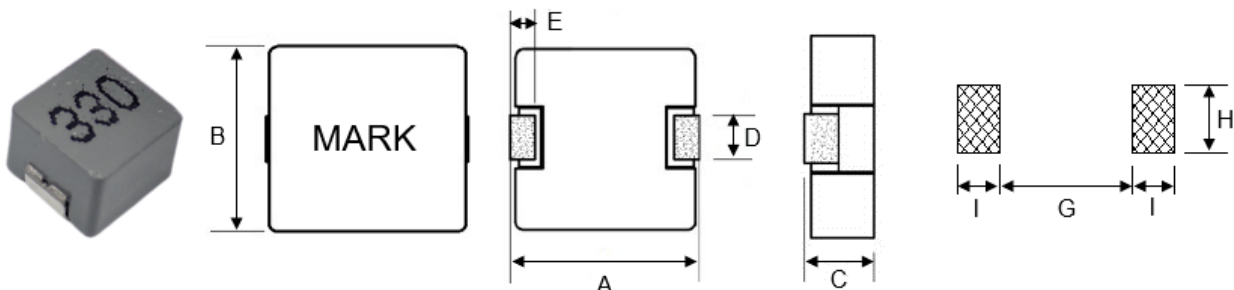
(1) : Type

(2) : Dimensions

(3) : Inductance value

(4) : Inductance Tolerance: N=±30%,M=±20%

**■ Shapes and Dimensions (Unit: mm)**



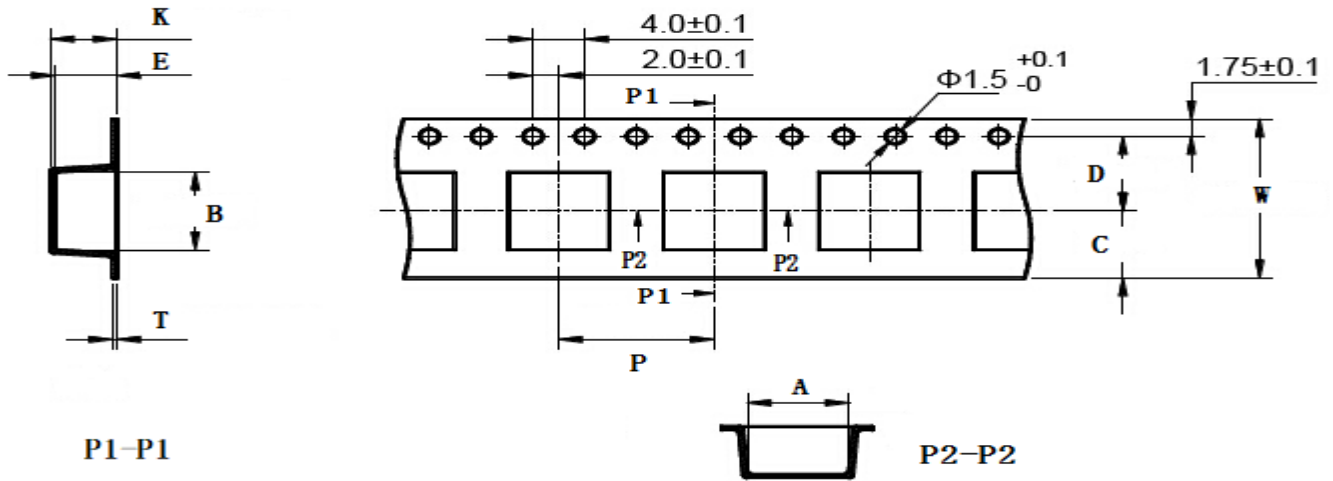
TYPE	A Max.	B	C Max.	D	E	G Ref.	H Ref.	I Ref.
YSPI0750TP	7.6	6.6±0.2	5.0	2.8±0.3 Flatten OR 3.0±0.2	1.6±0.3	3.7	3.5	2.5

## ■ YSPI0750TP Series

Part Number	Inductance (uH) @100KHz	DC Resistance (mΩ)		Heat Rating Current (A)	Saturation Current (A)
		Typ.	Max.		
YSPI0750TP-R47M	0.47±20%	3.2	3.6	22.0	30.0
YSPI0750TP-1R0M	1.0±20%	6.0	7.5	15.0	26.0
YSPI0750TP-2R2M	2.2±20%	9.8	12.0	11.0	18.0
YSPI0750TP-3R3M	3.3±20%	17.5	20.0	9.0	17.0
YSPI0750TP-4R7M	4.7±20%	28.0	32.0	7.0	16.0
YSPI0750TP-5R6M	5.6±20%	29.0	33.0	7.0	15.0
YSPI0750TP-6R8M	6.8±20%	33.5	40.0	6.5	13.0
YSPI0750TP-100M	10±20%	47.0	55.0	6.0	12.0
YSPI0750TP-150M	15±20%	82.0	93.0	5.0	10.0
YSPI0750TP-220M	22±20%	121	140	4.0	7.0
YSPI0750TP-330M	33±20%	145	158	3.0	6.0
YSPI0750TP-470M	47±20%	200	225	2.5	4.0

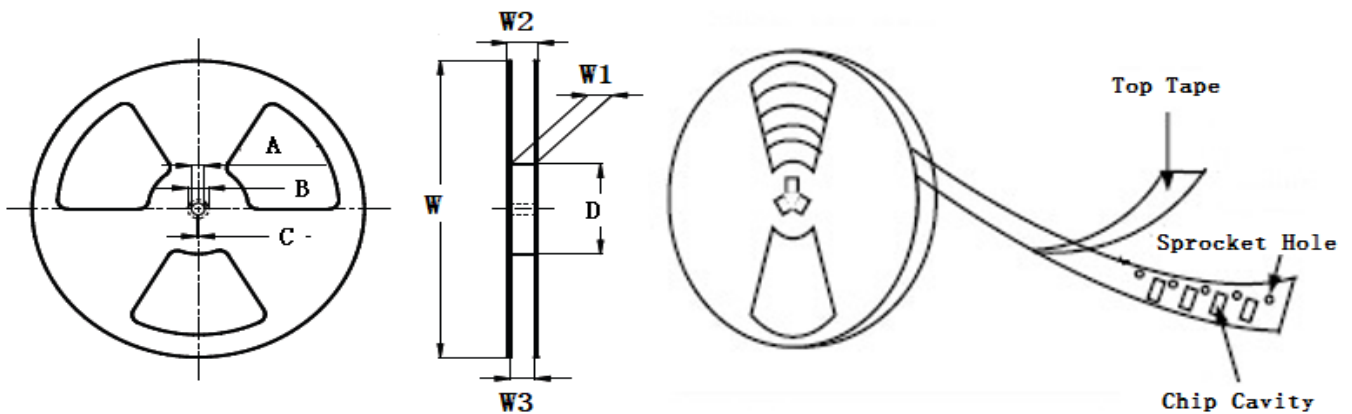
- ※ The saturation current value is the DC current value having inductance decrease down to 30%.(at 20°C)
- ※ The temperature rise current value is the DC current value having temperature increase up to 40°C. (at 20°C)
- ※ The rated current is the DC current value that satisfies both of current value saturation current value and temperature rise current value.

**■ Taping Dimensions(Unit:mm)**



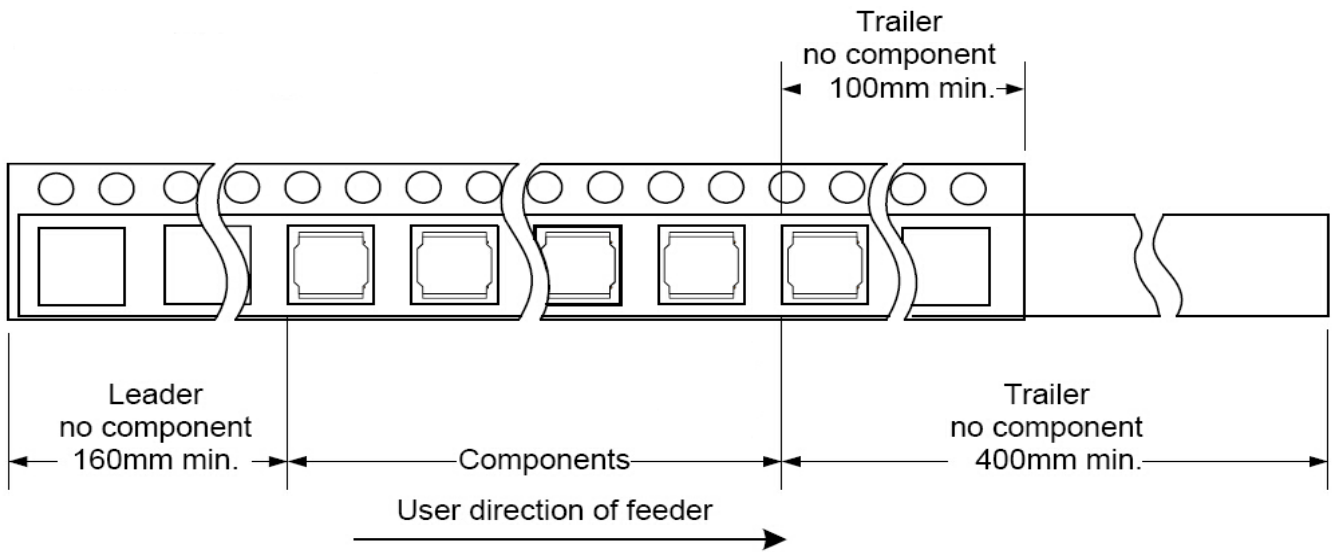
TYPE	W	A	B	C	D	E	P	K Ref	T	MPQ
YSPI0750TP	16±0.3	7.3±0.1	7.5±0.1	6.75	7.5±0.1	5.5±0.1	12.0±0.1	5.7	0.40±0.05	1000

**■ Reel Dimensions(Unit:mm)**

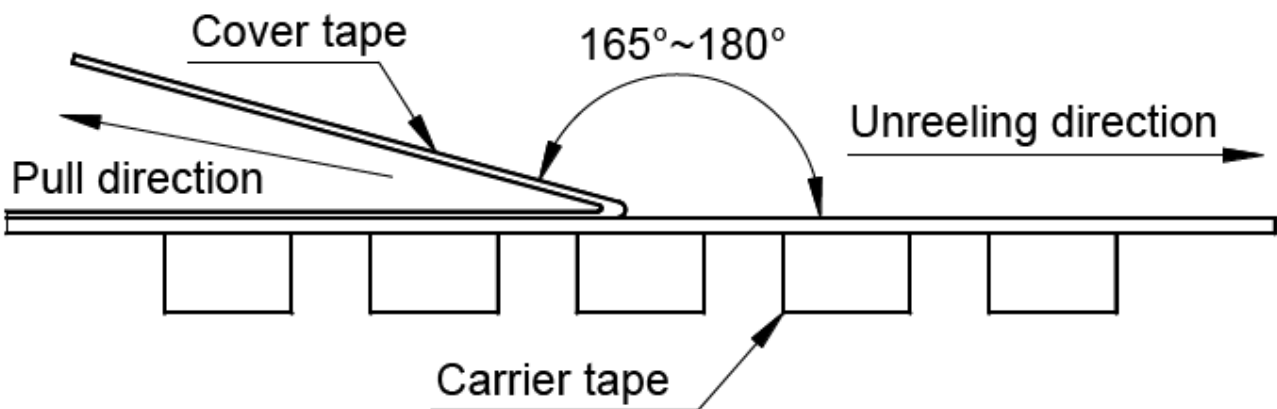


TYPE	W	W1	W2	W3	A	B	C	D
YSPI0750TP	330±2.0	16.4±2.0	22.4MAX	15.9 Min	13.0±0.50	21.0±0.80	2.0±0.50	100 Min

■ Direction of rolling



■ Cover tape peel off condition



Cover tape peel force shall be 0.1N to 1.3N.

Reference peel speed 300±10mm/min.

## X-ON Electronics

Largest Supplier of Electrical and Electronic Components

*Click to view similar products for [Fixed Inductors](#) category:*

*Click to view products by [YJYCOIN](#) manufacturer:*

Other Similar products are found below :

[CR32NP-100KC](#) [70F224AI](#) [MHQ1005P10NJ](#) [MHQ1005P1N0S](#) [MHQ1005P2N4S](#) [MHQ1005P3N6S](#) [MHQ1005P5N1S](#) [MHQ1005P8N2J](#)  
[PE-53601NL](#) [PE-53602NL](#) [PG0936.113NLT](#) [9220-20](#) [9310-16](#) [PM06-2N7](#) [PM06-39NJ](#) [A01TK](#) [1206CS-471XJ](#) [HC2-R47-R](#) [HC8-1R2-R](#)  
[HCF1305-3R3-R](#) [1206CS-151XG](#) [RCH664NP-4R7M](#) [RCP1317NP-391L](#) [DH2280-4R7M](#) [DS1608C-106](#) [B10TJ](#) [B82498B3101J000](#) [ELJ-](#)  
[RE27NJF2](#) [1812CS-153XJ](#) [1812CS-183XJ](#) [1812CS-223XJ](#) [1812LS-104XJ](#) [1812LS-105XJ](#) [1812LS-124XJ](#) [1812LS-154XJ](#) [1812LS-223XJ](#)  
[1812LS-224XJ](#) [1812LS-563XJ](#) [1812LS-683XJ](#) [1812LS-824XJ](#) [NIN-FB101JTR110F](#) [NIN-FB471JTR62F](#) [NIN-FC1R5JTR220F](#) [NIN-](#)  
[HCR15JTRF](#) [NIN-HCR33JTRF](#) [NIN-HDR22JTRF](#) [NIN-HDR82JTRF](#) [NIN-HK2N7STRF](#) [NIN-PA150KTR370F](#) [NIN-PB100KTR550F](#)