

## ■ Features

- Molding Inductor.
- Low Profile,Low Temp.
- Large Current(Over 15A).
- Customize For Different Need.
- Operating temperature:-40°C ~ +125°C.

## ■ Applications

- General Electronic.
- Video Device,TV,TFT.
- Power Module for PC.
- NB/Lap Top Computer.
- Server,VGA Card/Module.

## ■ Product Identification

$\frac{\text{YSPI}}{(1)} \quad \frac{\square\square\square\square}{(2)} - \frac{\square\square\square}{(3)} \quad \frac{\square}{(4)}$

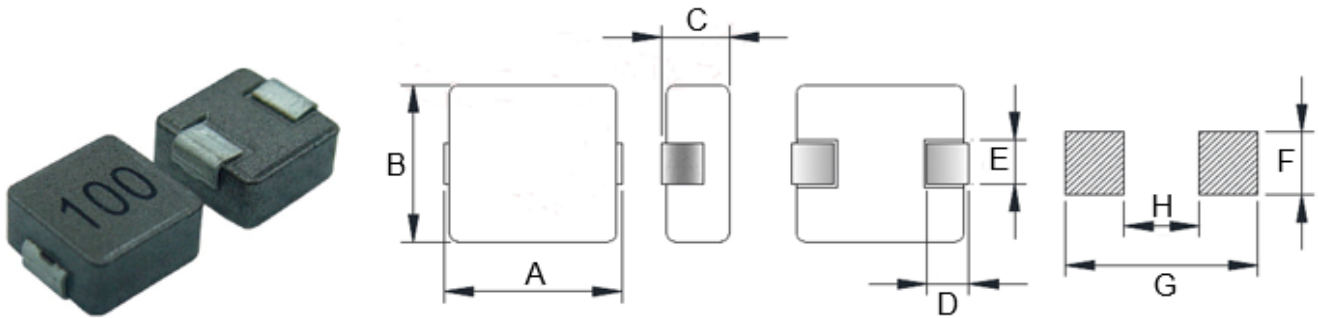
(1) : Type

(2) : Dimensions

(3) : Inductance value

(4) : Inductance Tolerance : N=±30%,M=±20% , K=±10%

## ■ Shapes and Dimensions (Unit: mm)



| TYPE     | A Max. | B        | C Max. | D       | E                  | F Ref. | G Ref. | H Ref. |
|----------|--------|----------|--------|---------|--------------------|--------|--------|--------|
| YSPI1040 | 11.6   | 10.1±0.3 | 4.0    | 2.5±0.5 | 2.5±0.5<br>3.0±0.5 | 4.0    | 13.0   | 6.0    |

## ■ YSPI1040 Series

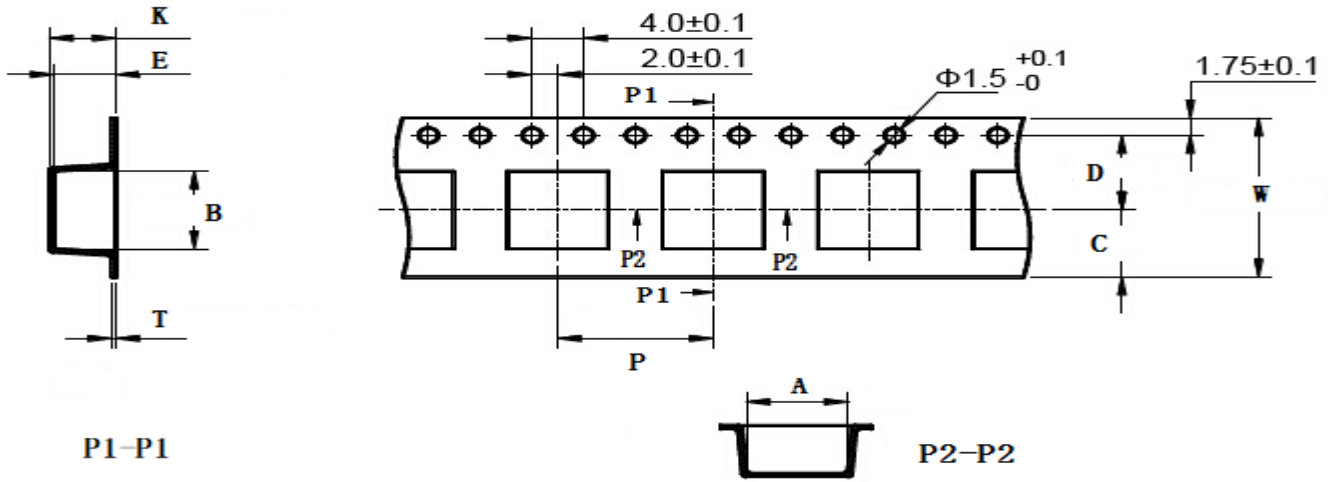
| Part Number   | Inductance (uH) @100KHz | DC Resistance (mΩ) Max. | Heat Rating Current (A) | Saturation Current (A) |
|---------------|-------------------------|-------------------------|-------------------------|------------------------|
| YSPI1040-R22M | 0.22±20%                | 0.8                     | 30.0                    | 45.0                   |
| YSPI1040-R36M | 0.36±20%                | 1.2                     | 27.0                    | 42.0                   |
| YSPI1040-R47M | 0.47±20%                | 1.5                     | 25.0                    | 32.0                   |
| YSPI1040-R56M | 0.56±20%                | 1.8                     | 24.0                    | 31.0                   |
| YSPI1040-1R0M | 1.0±20%                 | 3.1                     | 20.0                    | 26.0                   |
| YSPI1040-1R5M | 1.5±20%                 | 4.2                     | 16.0                    | 22.0                   |
| YSPI1040-2R2M | 2.2±20%                 | 7.0                     | 14.0                    | 16.0                   |
| YSPI1040-3R3M | 3.3±20%                 | 13.2                    | 11.0                    | 12.0                   |
| YSPI1040-4R7M | 4.7±20%                 | 16.5                    | 9.0                     | 12.0                   |
| YSPI1040-5R6M | 5.6±20%                 | 20.0                    | 7.0                     | 11.0                   |
| YSPI1040-6R8M | 6.8±20%                 | 25.0                    | 6.0                     | 10.0                   |
| YSPI1040-8R2M | 8.2±20%                 | 30.0                    | 6.0                     | 9.0                    |
| YSPI1040-100M | 10±20%                  | 30.0                    | 5.5                     | 7.0                    |
| YSPI1040-150M | 15±20%                  | 45.0                    | 5.2                     | 6.0                    |

## ■ YSPI1040 Series

| Part Number   | Inductance<br>(uH) @100KHz | DC Resistance<br>(mΩ) Max. | Heat Rating<br>Current (A) | Saturation<br>Current (A) |
|---------------|----------------------------|----------------------------|----------------------------|---------------------------|
| YSPI1040-220M | 22±20%                     | 72.0                       | 5.0                        | 5.5                       |
| YSPI1040-330M | 33±20%                     | 110                        | 3.2                        | 5.0                       |
| YSPI1040-470M | 47±20%                     | 158                        | 2.8                        | 3.7                       |
| YSPI1040-560M | 56±20%                     | 180                        | 2.6                        | 3.5                       |
| YSPI1040-680M | 68±20%                     | 195                        | 2.5                        | 2.6                       |
| YSPI1040-820M | 82±20%                     | 250                        | 2.2                        | 2.3                       |
| YSPI1040-101M | 100±20%                    | 300                        | 1.5                        | 2.0                       |

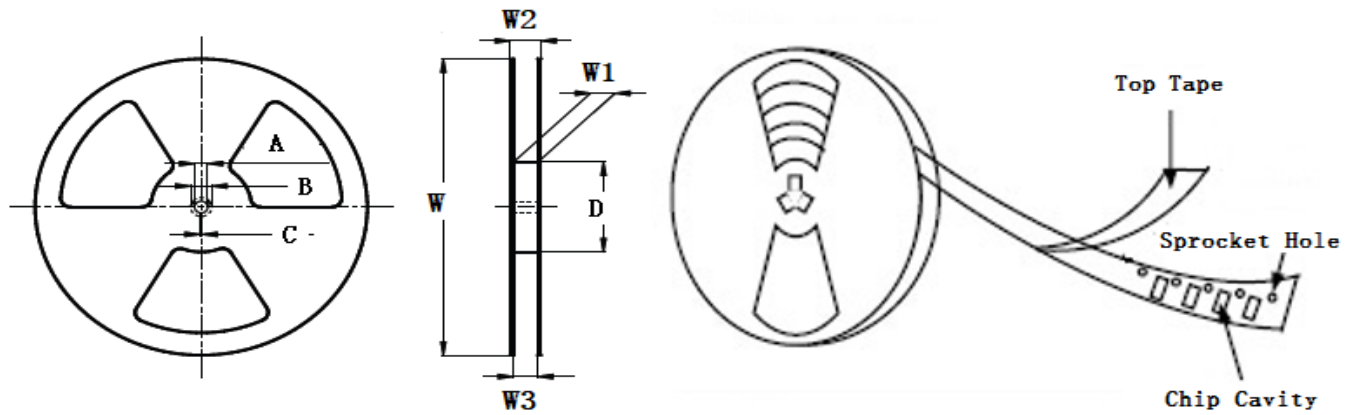
- ※ The saturation current value is the DC current value having inductance decrease down to 30%. (at 20°C)
- ※ The temperature rise current value is the DC current value having temperature increase up to 40°C. (at 20°C)
- ※ The rated current is the DC current value that satisfies both of current value saturation current value and temperature rise current value.

**■ Taping Dimensions(Unit:mm)**



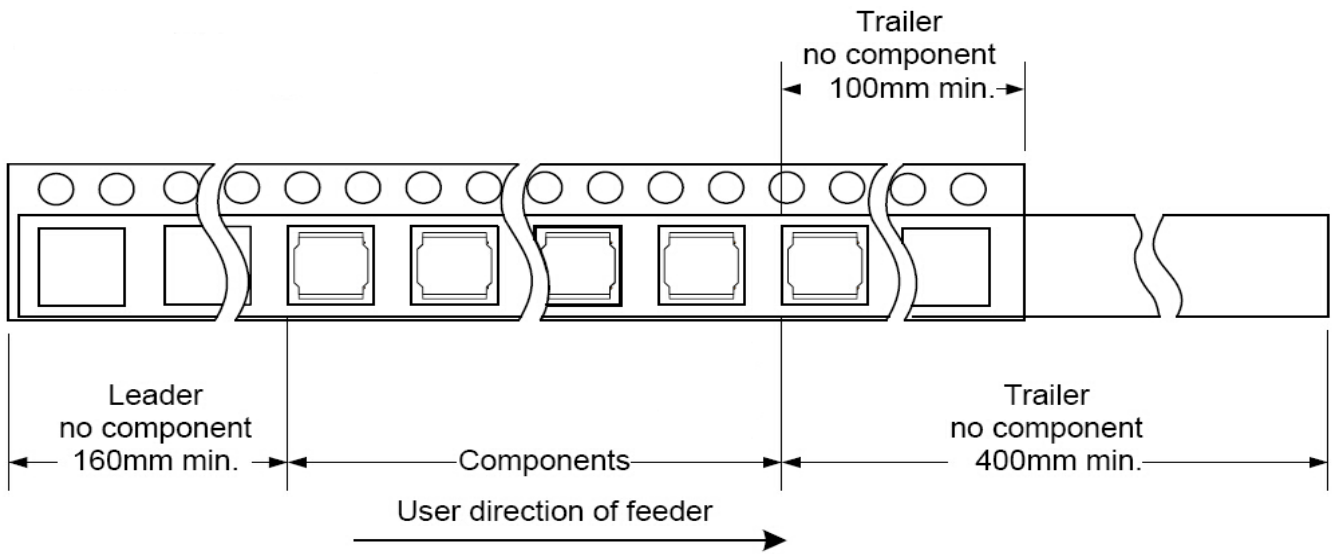
| TYPE     | W      | A        | B         | C     | D        | E       | P      | K Ref | T         | MPQ |
|----------|--------|----------|-----------|-------|----------|---------|--------|-------|-----------|-----|
| YSPI1040 | 24±0.3 | 10.6±0.1 | 11.45±0.1 | 10.75 | 11.5±0.1 | 4.4±0.1 | 16±0.1 | 4.2   | 0.40±0.05 | 500 |

**■ Reel Dimensions(Unit:mm)**

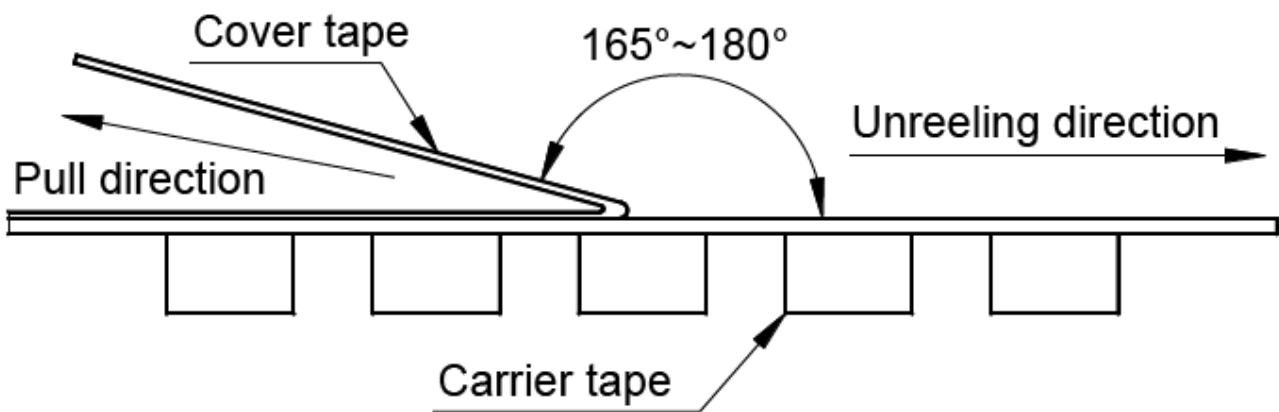


| TYPE     | W       | W1       | W2      | W3       | A         | B         | C        | D       |
|----------|---------|----------|---------|----------|-----------|-----------|----------|---------|
| YSPI1040 | 330±2.0 | 24.4±1.5 | 30.4MAX | 23.9 Min | 13.0±0.50 | 21.0±0.80 | 2.0±0.50 | 100 Min |

**Direction of rolling**



**Cover tape peel off condition**



Cover tape peel force shall be 0.1N to 1.3N.

Reference peel speed  $300 \pm 10$ mm/min.

## X-ON Electronics

Largest Supplier of Electrical and Electronic Components

*Click to view similar products for [Fixed Inductors](#) category:*

*Click to view products by [YJYCOIN](#) manufacturer:*

Other Similar products are found below :

[CR32NP-100KC](#) [CR54NP-470LC](#) [70F224AI](#) [MGDQ4-00004-P](#) [MHQ1005P10NJ](#) [MHQ1005P1N0S](#) [MHQ1005P2N4S](#) [MHQ1005P3N6S](#)  
[MHQ1005P5N1S](#) [MHQ1005P8N2J](#) [PE-53601NL](#) [PE-53602NL](#) [PG0936.113NLT](#) [9220-20](#) [9310-16](#) [PM06-2N7](#) [PM06-39NJ](#) [A01TK](#)  
[1206CS-471XJ](#) [HC2-R47-R](#) [HC8-1R2-R](#) [HCF1305-3R3-R](#) [1206CS-151XG](#) [RCH664NP-140L](#) [RCH664NP-4R7M](#) [RCP1317NP-391L](#)  
[RCR110DNP-331L](#) [DH2280-4R7M](#) [DS1608C-106](#) [B10TJ](#) [B82498B3101J000](#) [ELJ-RE27NJF2](#) [1812CS-153XJ](#) [1812CS-183XJ](#) [1812CS-](#)  
[223XJ](#) [1812LS-104XJ](#) [1812LS-105XJ](#) [1812LS-124XJ](#) [1812LS-154XJ](#) [1812LS-223XJ](#) [1812LS-224XJ](#) [1812LS-563XJ](#) [1812LS-683XJ](#)  
[1812LS-824XJ](#) [NIN-FB101JTR110F](#) [NIN-FB471JTR62F](#) [NIN-FC1R5JTR220F](#) [NIN-HCR15JTRF](#) [NIN-HCR33JTRF](#) [NIN-HDR22JTRF](#)