

## ■ Features

- Molding Inductor.
- Low Profile,Low Temp.
- Large Current(Over 15A).
- Customize For Different Need.
- Operating temperature:-40°C ~ +125°C.

## ■ Applications

- General Electronic.
- Video Device,TV,TFT.
- Power Module for PC.
- NB/Lap Top Computer.
- Server,VGA Card/Module.

## ■ Product Identification

**YSPI**    □□□□□    -    □□□    □  
 (1)                    (2)                    (3)                    (4)

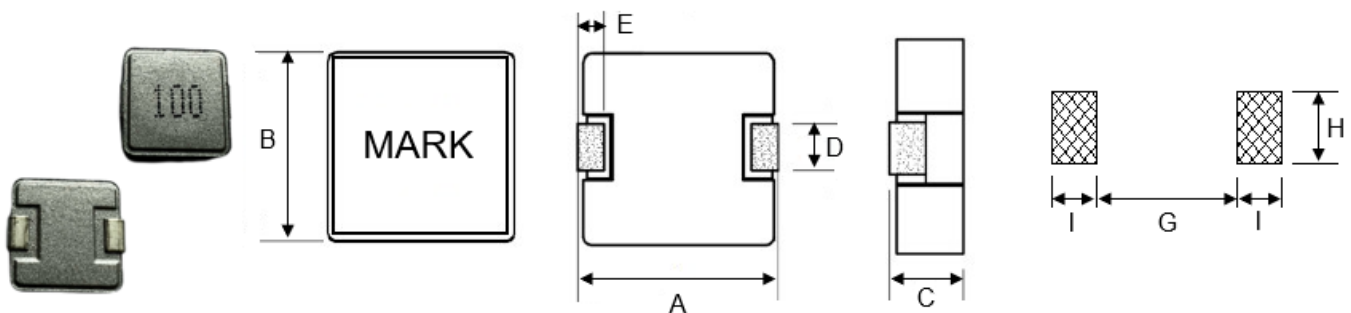
(1) : Type

(2) : Dimensions

(3) : Inductance value

(4) : Inductance Tolerance: N=±30%,M=±20%

## ■ Shapes and Dimensions (Unit: mm)



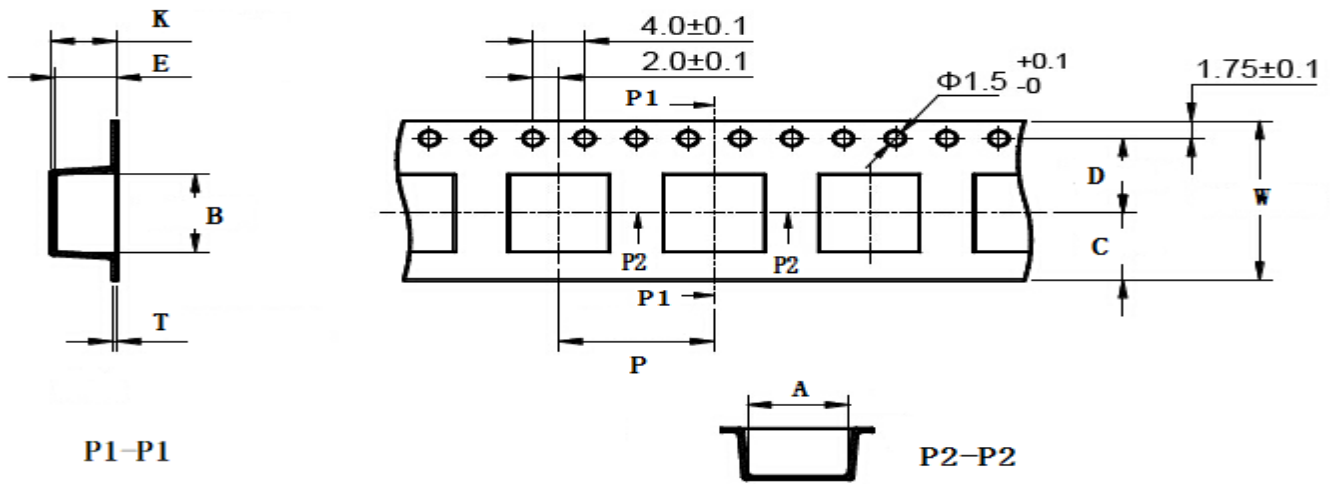
TYPE	A	B	C Max.	D	E	G Ref.	H Ref.	I Ref.
YSPI1050Y	10.5±1.0	10.3±0.3	5.0	2.8±0.3 Flatten OR 3.0±0.3	2.0±0.5	6.0	4.0	3.5

## ■ YSPI1050Y Series

Part Number	Inductance (uH) @100KHz	DC Resistance (mΩ)		Heat Rating Current (A)	Saturation Current (A)
		Typ.	Max.		
YSPI1050Y-R36M	0.36	0.8	1.05	36.0	52.0
YSPI1050Y-R68M	0.68	1.6	1.9	20.0	35.0
YSPI1050Y-R82M	0.82	2.1	2.5	18.0	30.0
YSPI1050Y-1R0M	1.0	2.1	2.5	16.0	28.0
YSPI1050Y-1R2M	1.2	2.3	2.8	15.0	25.0
YSPI1050Y-1R5M	1.5	3.2	3.8	13.0	22.0
YSPI1050Y-2R2M	2.2	5.0	6.0	11.0	20.0
YSPI1050Y-3R3M	3.3	5.8	7.0	10.0	15.0
YSPI1050Y-4R7M	4.7	9.7	12.0	9.0	15.0
YSPI1050Y-5R6M	5.6	13.5	16.0	8.5	14.0
YSPI1050Y-6R8M	6.8	14.5	17.0	8.0	13.0
YSPI1050Y-8R2M	8.2	23.0	27.0	7.0	12.0
YSPI1050Y-100M	10	24.5	28.0	6.5	11.0
YSPI1050Y-150M	15	37.0	42.0	6.0	10.0
YSPI1050Y-220M	22	58.0	65.0	5.0	8.0
YSPI1050Y-330M	33	85.0	95.0	4.5	6.0
YSPI1050Y-470M	47	136.0	152.0	4.0	5.5
YSPI1050Y-680M	68	198.0	215.0	3.0	5.0
YSPI1050Y-820M	82	220.0	240.0	2.5	4.5
YSPI1050Y-101M	100	230.0	250.0	2.2	4.0
YSPI1050Y-151M	150	394.0	435.0	2.0	3.5
YSPI1050Y-181M	180	420.0	460.0	1.8	2.8
YSPI1050Y-201M	200	435.0	470.0	1.5	2.5

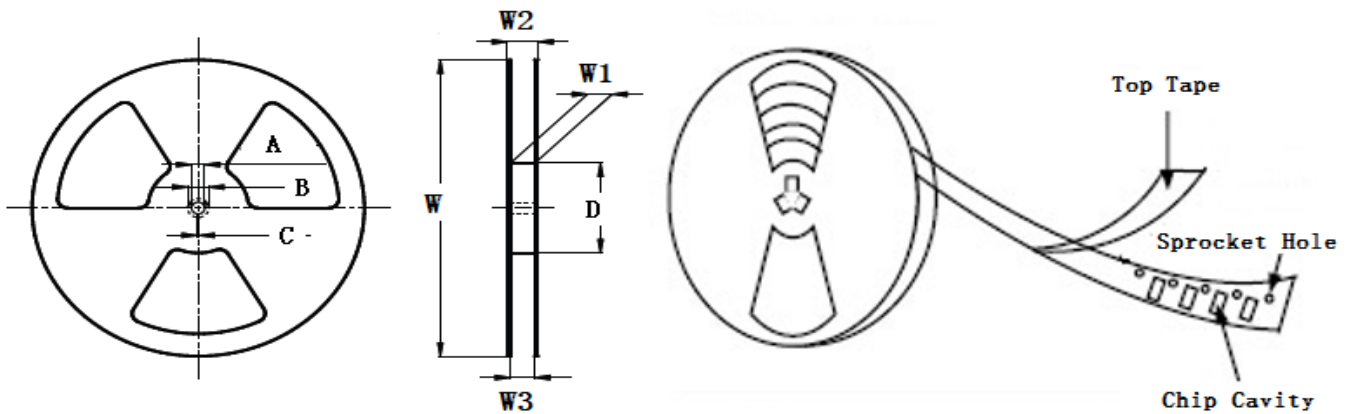
- ※ The saturation current value is the DC current value having inductance decrease down to 30%. (at 20°C)
- ※ The temperature rise current value is the DC current value having temperature increase up to 40°C. (at 20°C)
- ※ The rated current is the DC current value that satisfies both of current value saturation current value and temperature rise current value.

**■ Taping Dimensions(Unit:mm)**



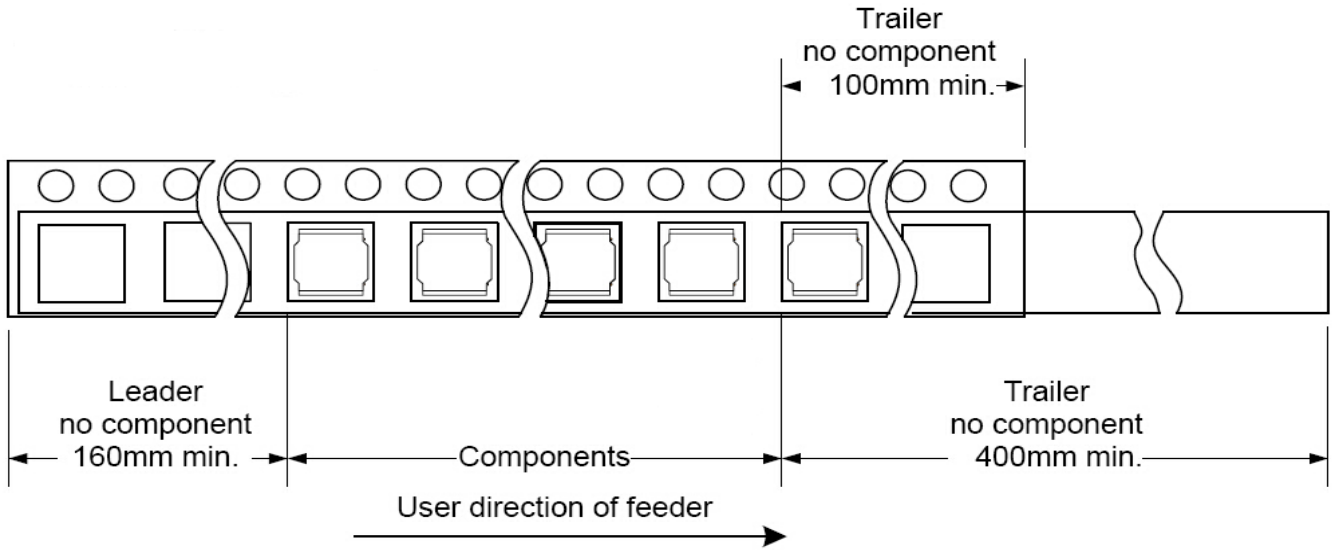
TYPE	W	A	B	C	D	E	P	K Ref	T	MPQ
YSPI1050Y	24±0.3	10.6±0.1	11.3±0.1	10.75	11.5±0.1	4.4±0.1	16±0.1	4.6	0.40±0.05	800

**■ Reel Dimensions(Unit:mm)**

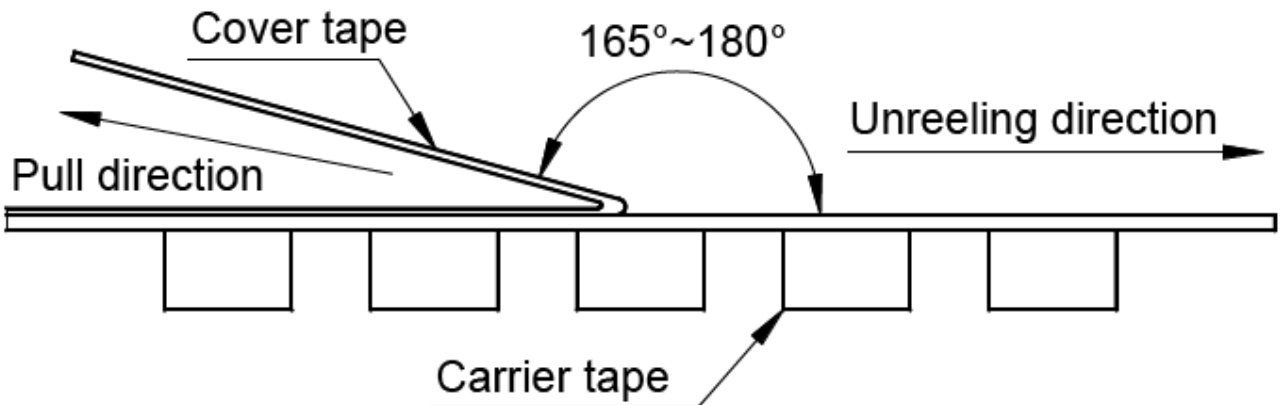


TYPE	W	W1	W2	W3	A	B	C	D
YSPI1050Y	330±2.0	24.4±1.5	30.4MAX	23.9 Min	13.0±0.50	21.0±0.80	2.0±0.50	100 Min

**Direction of rolling**



**Cover tape peel off condition**



Cover tape peel force shall be 0.1N to 1.3N.

Reference peel speed 300±10mm/min.

## X-ON Electronics

Largest Supplier of Electrical and Electronic Components

*Click to view similar products for [Fixed Inductors](#) category:*

*Click to view products by [YJYCOIN](#) manufacturer:*

Other Similar products are found below :

[CR32NP-100KC](#) [70F224AI](#) [MHQ1005P10NJ](#) [MHQ1005P1N0S](#) [MHQ1005P2N4S](#) [MHQ1005P3N6S](#) [MHQ1005P5N1S](#) [MHQ1005P8N2J](#)  
[PE-53601NL](#) [PE-53602NL](#) [PG0936.113NLT](#) [9220-20](#) [9310-16](#) [PM06-2N7](#) [PM06-39NJ](#) [A01TK](#) [1206CS-471XJ](#) [HC2-R47-R](#) [HC8-1R2-R](#)  
[HCF1305-3R3-R](#) [1206CS-151XG](#) [RCH664NP-4R7M](#) [RCP1317NP-391L](#) [DH2280-4R7M](#) [DS1608C-106](#) [B10TJ](#) [B82498B3101J000](#) [ELJ-](#)  
[RE27NJF2](#) [1812CS-153XJ](#) [1812CS-183XJ](#) [1812CS-223XJ](#) [1812LS-104XJ](#) [1812LS-105XJ](#) [1812LS-124XJ](#) [1812LS-154XJ](#) [1812LS-223XJ](#)  
[1812LS-224XJ](#) [1812LS-563XJ](#) [1812LS-683XJ](#) [1812LS-824XJ](#) [NIN-FB101JTR110F](#) [NIN-FB471JTR62F](#) [NIN-FC1R5JTR220F](#) [NIN-](#)  
[HCR15JTRF](#) [NIN-HCR33JTRF](#) [NIN-HDR22JTRF](#) [NIN-HDR82JTRF](#) [NIN-HK2N7STRF](#) [NIN-PA150KTR370F](#) [NIN-PB100KTR550F](#)