

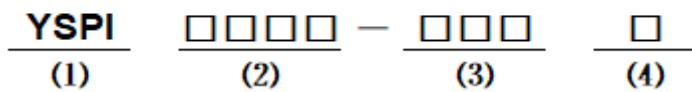
■ Features

- Molding Inductor.
- Low Profile,Low Temp.
- Large Current(Over 15A).
- Customize For Different Need.
- Operating temperature:-40℃ ~ +125℃.

■ Applications

- General Electronic.
- Video Device,TV,TFT.
- Power Module for PC.
- NB/Lap Top Computer.
- Server,VGA Card/Module.

■ Product Identification



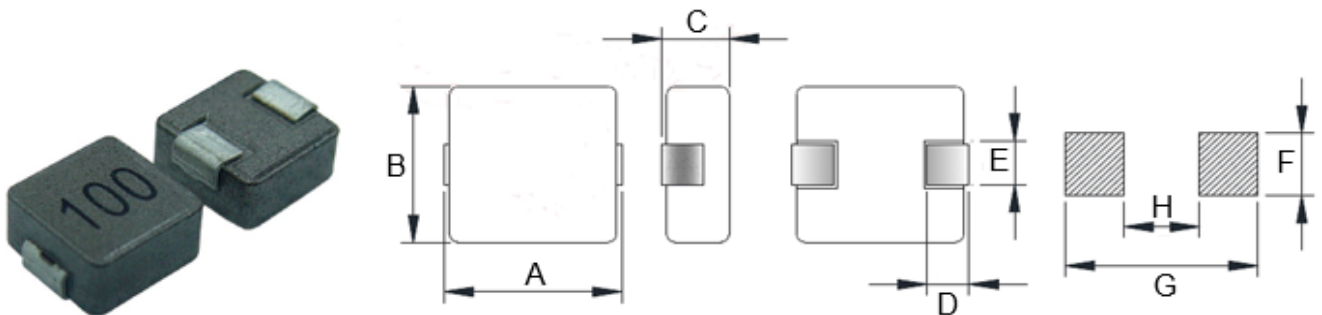
(1) : Type

(2) : Dimensions

(3) : Inductance value

(4) : Inductance Tolerance : N=±30%,M=±20% , K=±10%

■ Shapes and Dimensions (Unit: mm)



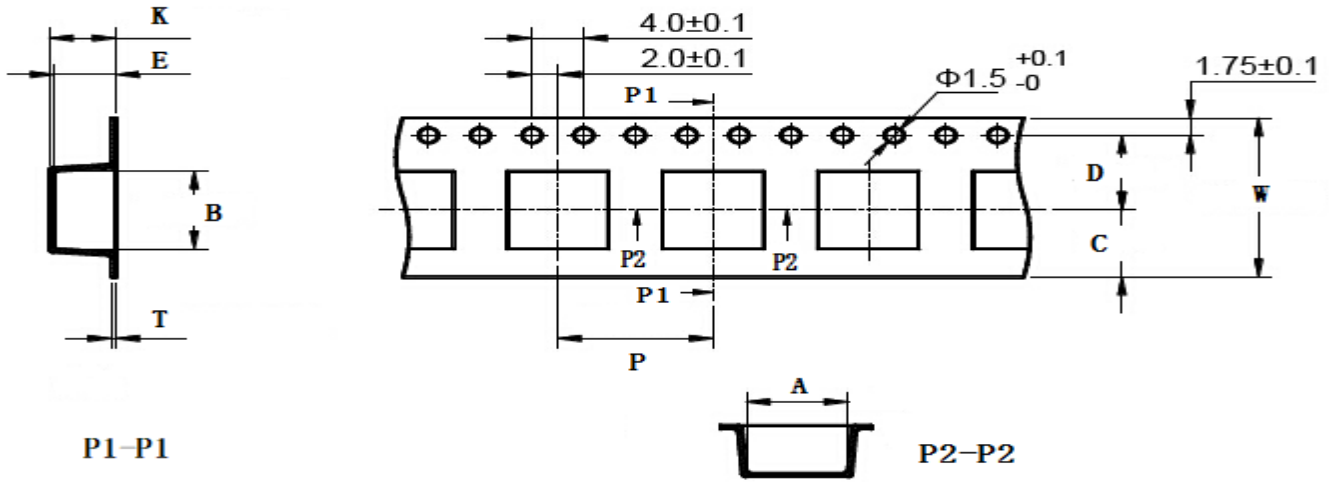
| TYPE | A Max. | B | C Max. | D | E | F Ref. | G Ref. | H Ref. |
|----------|--------|----------|--------|---------|---------|--------|--------|--------|
| YSPI1365 | 13.8 | 12.6±0.2 | 6.5 | 2.7±0.5 | 3.7±0.5 | 5.0 | 14.5 | 6.5 |

■ YSPI1365 Series

| Part Number | Inductance (uH) @100KHz | DC Resistance (mΩ) Max. | Heat Rating Current (A) | Saturation Current (A) |
|---------------|----------------------------|----------------------------|----------------------------|---------------------------|
| YSPI1365-R47M | 0.47 | 1.20 | 30.0 | 60.0 |
| YSPI1365-1R0M | 1.0 | 2.00 | 25.0 | 36.0 |
| YSPI1365-1R5M | 1.5 | 2.50 | 20.0 | 30.0 |
| YSPI1365-2R2M | 2.2 | 4.20 | 15.0 | 28.0 |
| YSPI1365-3R3M | 3.3 | 6.80 | 13.0 | 25.0 |
| YSPI1365-4R7M | 4.7 | 9.00 | 12.0 | 25.0 |
| YSPI1365-5R6M | 5.6 | 13.0 | 11.5 | 18.0 |
| YSPI1365-6R8M | 6.8 | 15.0 | 11.0 | 16.0 |
| YSPI1365-100M | 10 | 20.0 | 9.0 | 15.0 |
| YSPI1365-150M | 15 | 30.0 | 7.0 | 10.5 |
| YSPI1365-220M | 22 | 44.0 | 5.8 | 7.5 |
| YSPI1365-330M | 33 | 60.0 | 5.5 | 6.5 |
| YSPI1365-470M | 47 | 80.0 | 5.0 | 6.0 |
| YSPI1365-680M | 68 | 130 | 3.5 | 5.0 |
| YSPI1365-101M | 100 | 220 | 2.5 | 4.5 |

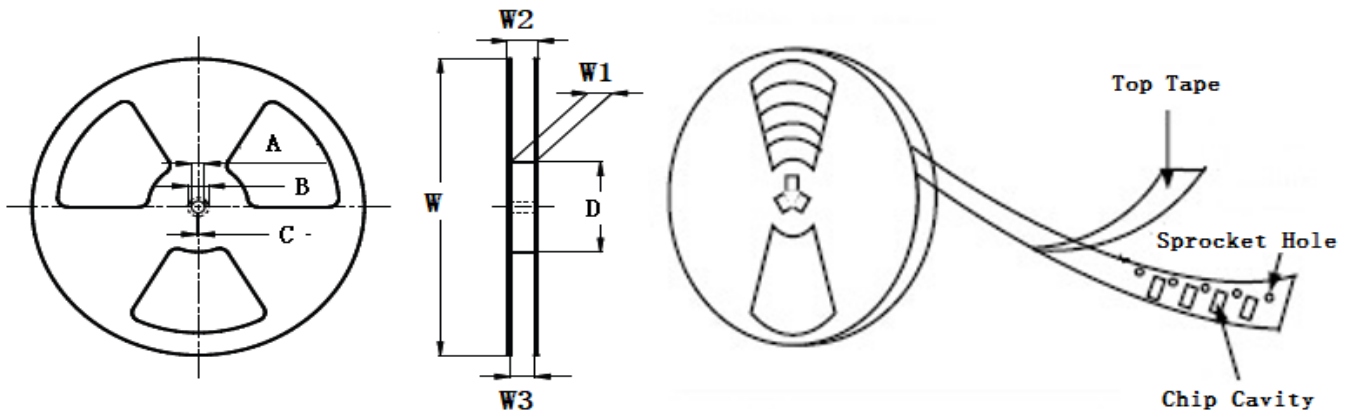
- ※ The saturation current value is the DC current value having inductance decrease down to 30%.(at 20°C)
- ※ The temperature rise current value is the DC current value having temperature increase up to 40°C. (at 20°C)
- ※ The rated current is the DC current value that satisfies both of current value saturation current value and temperature rise current value.

■ Taping Dimensions(Unit:mm)



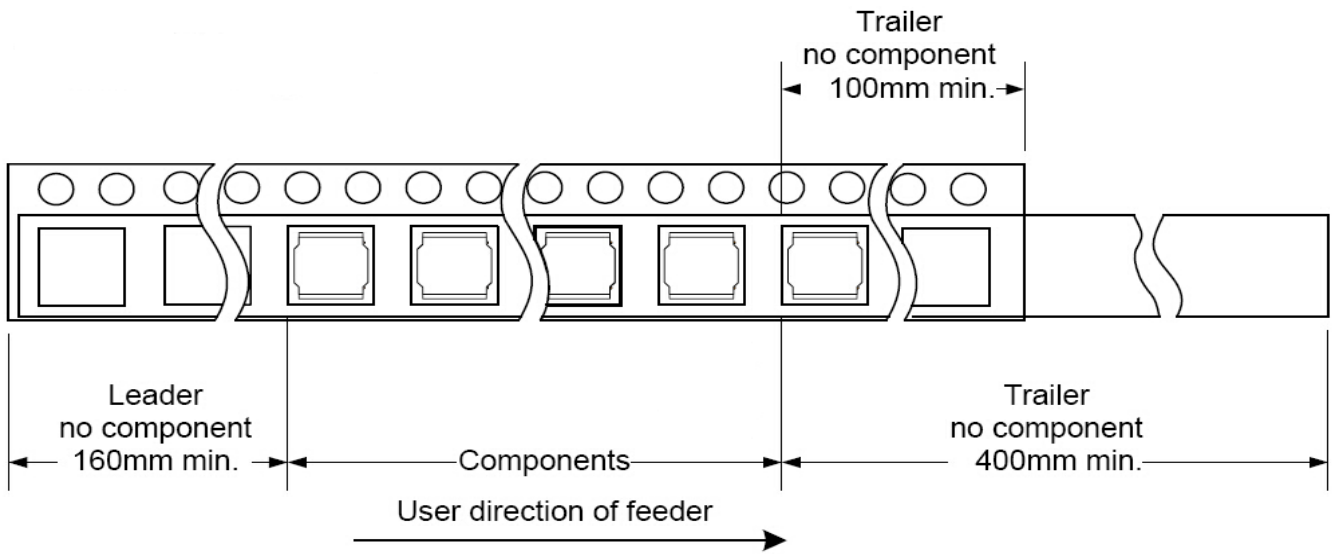
| TYPE | W | A | B | C | D | E | P | K Ref | T | MPQ |
|----------|--------|----------|-----------|-------|----------|---------|--------|-------|-----------|-----|
| YSPI1365 | 24±0.3 | 12.8±0.1 | 13.70±0.1 | 10.75 | 11.5±0.1 | 7.0±0.1 | 20±0.1 | 6.7 | 0.50±0.05 | 500 |

■ Reel Dimensions(Unit:mm)

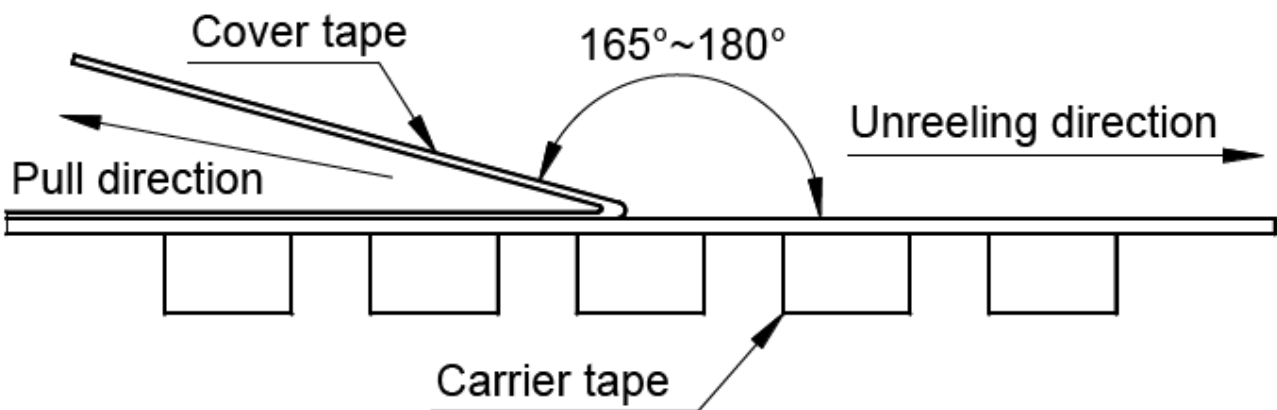


| TYPE | W | W1 | W2 | W3 | A | B | C | D |
|----------|---------|----------|---------|----------|-----------|-----------|----------|---------|
| YSPI1365 | 330±2.0 | 24.4±1.5 | 30.4MAX | 23.9 Min | 13.0±0.50 | 21.0±0.80 | 2.0±0.50 | 100 Min |

Direction of rolling



Cover tape peel off condition



Cover tape peel force shall be 0.1N to 1.3N.

Reference peel speed 300 ± 10 mm/min.

X-ON Electronics

Largest Supplier of Electrical and Electronic Components

Click to view similar products for [Fixed Inductors](#) category:

Click to view products by [YJYCOIN](#) manufacturer:

Other Similar products are found below :

[CR32NP-100KC](#) [CR54NP-470LC](#) [70F224AI](#) [MGDQ4-00004-P](#) [MHQ1005P10NJ](#) [MHQ1005P1N0S](#) [MHQ1005P2N4S](#) [MHQ1005P3N6S](#)
[MHQ1005P5N1S](#) [MHQ1005P8N2J](#) [PE-53601NL](#) [PE-53602NL](#) [PG0936.113NLT](#) [9220-20](#) [9310-16](#) [PM06-2N7](#) [PM06-39NJ](#) [A01TK](#)
[1206CS-471XJ](#) [HC2-R47-R](#) [HC8-1R2-R](#) [HCF1305-3R3-R](#) [1206CS-151XG](#) [RCH664NP-140L](#) [RCH664NP-4R7M](#) [RCP1317NP-391L](#)
[RCR110DNP-331L](#) [DH2280-4R7M](#) [DS1608C-106](#) [B10TJ](#) [B82498B3101J000](#) [ELJ-RE27NJF2](#) [1812CS-153XJ](#) [1812CS-183XJ](#) [1812CS-](#)
[223XJ](#) [1812LS-104XJ](#) [1812LS-105XJ](#) [1812LS-124XJ](#) [1812LS-154XJ](#) [1812LS-223XJ](#) [1812LS-224XJ](#) [1812LS-563XJ](#) [1812LS-683XJ](#)
[1812LS-824XJ](#) [NIN-FB101JTR110F](#) [NIN-FB471JTR62F](#) [NIN-FC1R5JTR220F](#) [NIN-HCR15JTRF](#) [NIN-HCR33JTRF](#) [NIN-HDR22JTRF](#)