

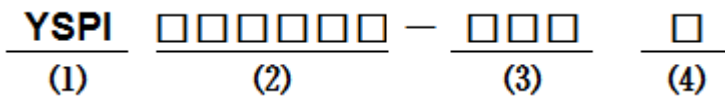
■ Features

- Molding Inductor.
- Low Profile,Low Temp.
- Large Current(Over 15A).
- Customize For Different Need.
- Operating temperature:-40℃ ~ +125℃.

■ Applications

- General Electronic.
- Video Device,TV,TFT.
- Power Module for PC.
- NB/Lap Top Computer.
- Server,VGA Card/Module.

■ Product Identification



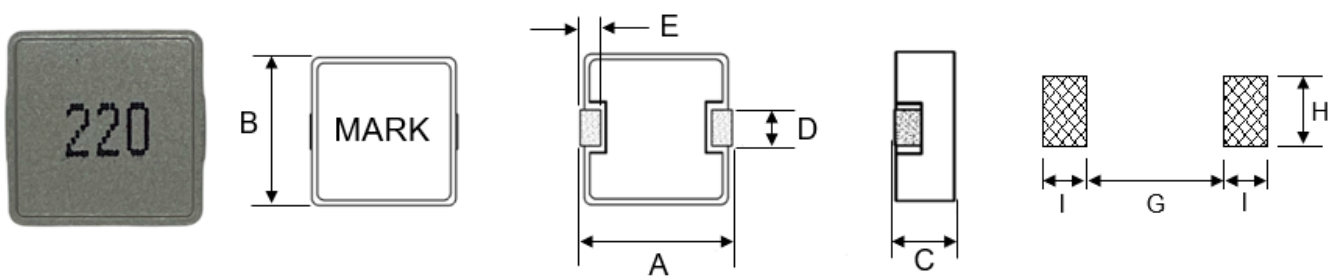
(1) : Type

(2) : Dimensions

(3) : Inductance value

(4) : Inductance Tolerance : N=±30%,M=±20%

■ Shapes and Dimensions (Unit: mm)



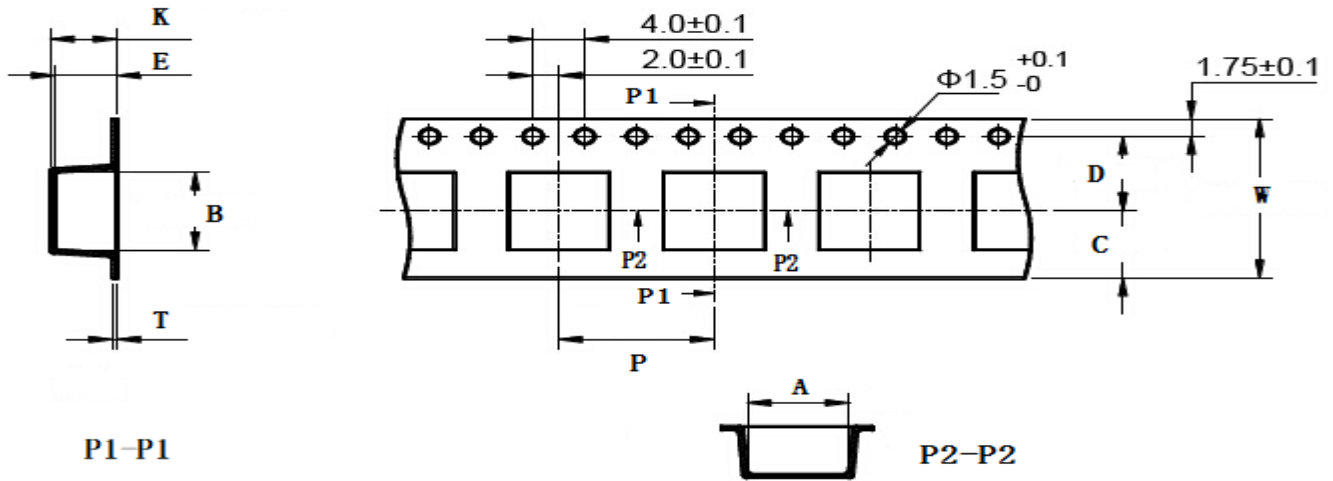
TYPE	A	B	C Max.	D	E	G Ref.	H Ref.	I Ref.
YSPI1365TY	13.2±1.0	12.6±0.3	6.5	3.8±0.3	2.5±0.5	8.0	5.0	3.5

■ YSPI1365TY Series

Part Number	Inductance (uH) @100KHz	DC Resistance (mΩ)		Heat Rating Current (A)	Saturation Current (A)
		Typ.	Max.		
YSPI1365TY-R15M	0.15±20%	0.37	0.50	60.0	120.0
YSPI1365TY-R22M	0.22±20%	0.50	0.60	50.0	110.0
YSPI1365TY-R33M	0.33±20%	0.60	0.80	48.0	100.0
YSPI1365TY-R47M	0.47±20%	0.80	1.10	45.0	90.0
YSPI1365TY-R56M	0.56±20%	1.00	1.30	40.0	80.0
YSPI1365TY-R68M	0.68±20%	1.40	1.80	36.0	72.0
YSPI1365TY-1R0M	1.0±20%	1.70	2.20	32.0	60.0
YSPI1365TY-1R5M	1.5±20%	2.50	3.20	26.0	55.0
YSPI1365TY-2R2M	2.2±20%	4.00	5.00	22.0	48.0
YSPI1365TY-3R3M	3.3±20%	5.30	6.50	19.0	40.0
YSPI1365TY-4R7M	4.7±20%	7.60	9.50	16.0	38.0
YSPI1365TY-5R6M	5.6±20%	9.50	11.50	15.0	34.0
YSPI1365TY-6R8M	6.8±20%	11.40	14.00	13.0	30.0
YSPI1365TY-100M	10±20%	12.50	15.00	12.0	21.0
YSPI1365TY-150M	15±20%	20.00	23.00	10.0	19.0
YSPI1365TY-220M	22±20%	35.5	42.0	9.0	16.0
YSPI1365TY-330M	33±20%	47.0	55.0	8.0	13.0
YSPI1365TY-470M	47±20%	90.0	105.0	6.0	12.0
YSPI1365TY-560M	56±20%	100.0	120.0	5.5	10.0
YSPI1365TY-680M	68±20%	103.0	120.0	5.0	8.0

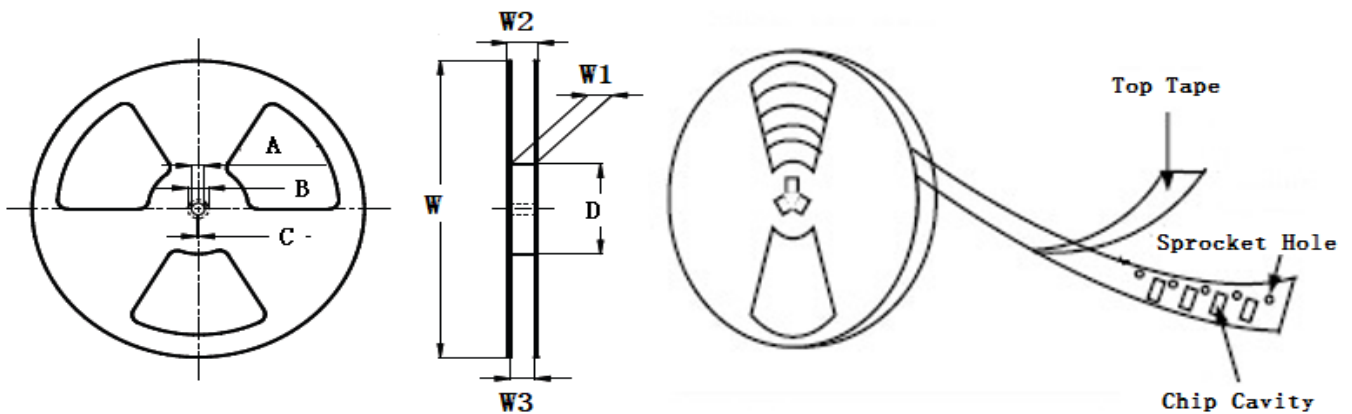
- ※ The saturation current value is the DC current value having inductance decrease down to 30%.(at 20°C)
- ※ The temperature rise current value is the DC current value having temperature increase up to 40°C. (at 20°C)
- ※ The rated current is the DC current value that satisfies both of current value saturation current value and temperature rise current value.

■ Taping Dimensions(Unit:mm)



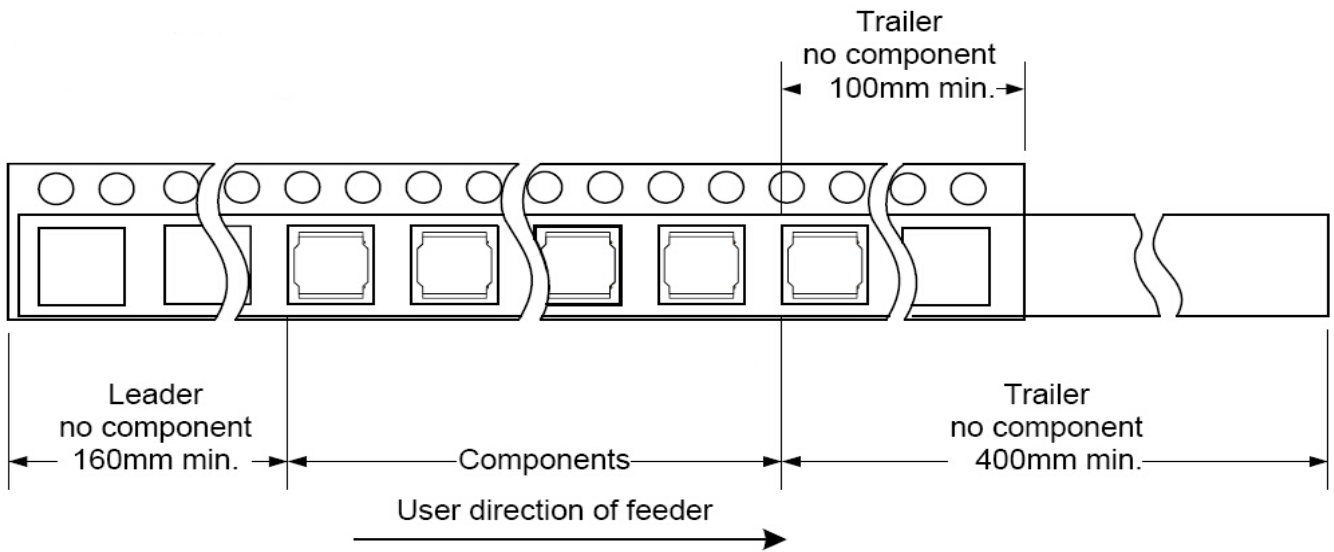
TYPE	W	A	B	C	D	E	P	K Ref	T	MPQ
YSPI1365TY	24±0.3	12.8±0.1	13.70±0.1	10.75	11.5±0.1	7.0±0.1	20±0.1	6.7	0.50±0.05	400

■ Reel Dimensions(Unit:mm)

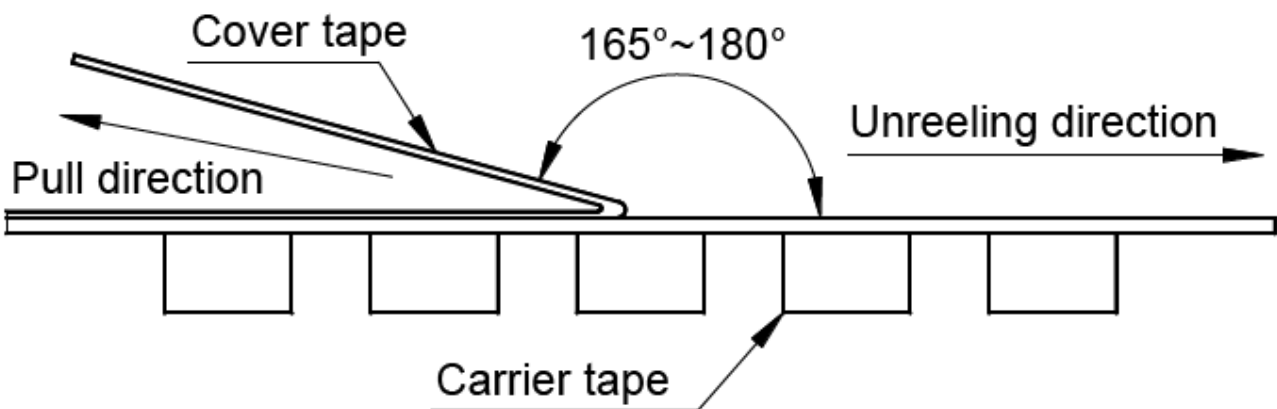


TYPE	W	W1	W2	W3	A	B	C	D
YSPI1365TY	330±2.0	24.4±1.5	30.4MAX	23.9 Min	13.0±0.50	21.0±0.80	2.0±0.50	100 Min

Direction of rolling



Cover tape peel off condition



Cover tape peel force shall be 0.1N to 1.3N.

Reference peel speed 300±10mm/min.

X-ON Electronics

Largest Supplier of Electrical and Electronic Components

Click to view similar products for [Fixed Inductors](#) category:

Click to view products by [YJYCOIN](#) manufacturer:

Other Similar products are found below :

[CR32NP-100KC](#) [CR54NP-470LC](#) [70F224AI](#) [MGDQ4-00004-P](#) [MHQ1005P10NJ](#) [MHQ1005P1N0S](#) [MHQ1005P2N4S](#) [MHQ1005P3N6S](#)
[MHQ1005P5N1S](#) [MHQ1005P8N2J](#) [PE-53601NL](#) [PE-53602NL](#) [PG0936.113NLT](#) [9220-20](#) [9310-16](#) [PM06-2N7](#) [PM06-39NJ](#) [A01TK](#)
[1206CS-471XJ](#) [HC2-R47-R](#) [HC8-1R2-R](#) [HCF1305-3R3-R](#) [1206CS-151XG](#) [RCH664NP-140L](#) [RCH664NP-4R7M](#) [RCP1317NP-391L](#)
[RCR110DNP-331L](#) [DH2280-4R7M](#) [DS1608C-106](#) [B10TJ](#) [B82498B3101J000](#) [ELJ-RE27NJF2](#) [1812CS-153XJ](#) [1812CS-183XJ](#) [1812CS-](#)
[223XJ](#) [1812LS-104XJ](#) [1812LS-105XJ](#) [1812LS-124XJ](#) [1812LS-154XJ](#) [1812LS-223XJ](#) [1812LS-224XJ](#) [1812LS-563XJ](#) [1812LS-683XJ](#)
[1812LS-824XJ](#) [NIN-FB101JTR110F](#) [NIN-FB471JTR62F](#) [NIN-FC1R5JTR220F](#) [NIN-HCR15JTRF](#) [NIN-HCR33JTRF](#) [NIN-HDR22JTRF](#)