

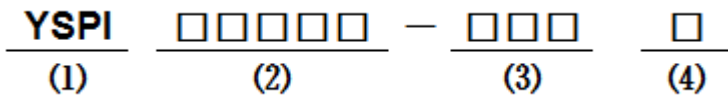
**■ Features**

- Molding Inductor.
- Low Profile,Low Temp.
- Large Current(Over 15A).
- Customize For Different Need.
- Operating temperature:-40°C ~ +125°C.

**■ Applications**

- General Electronic.
- Video Device,TV,TFT.
- Power Module for PC.
- NB/Lap Top Computer.
- Server,VGA Card/Module.

**■ Product Identification**



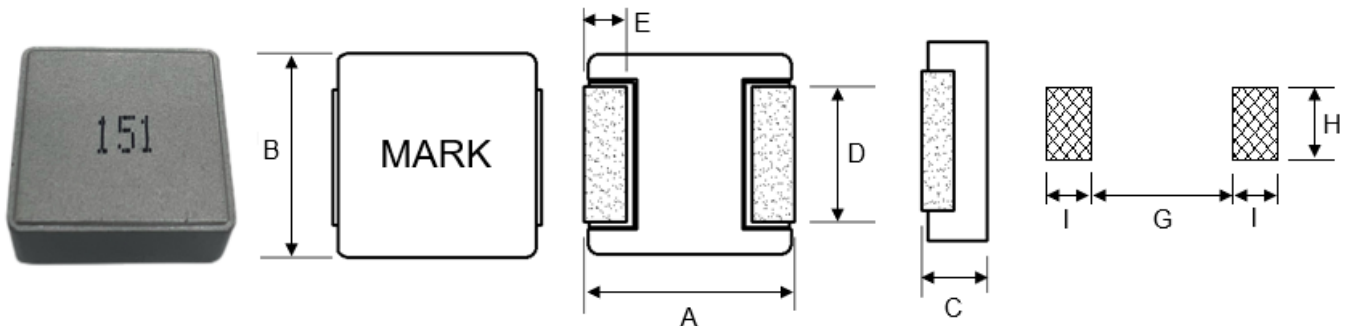
(1) : Type

(2) : Dimensions

(3) : Inductance value

(4) : Inductance Tolerance : N=±30%,M=±20%

**■ Shapes and Dimensions (Unit: mm)**



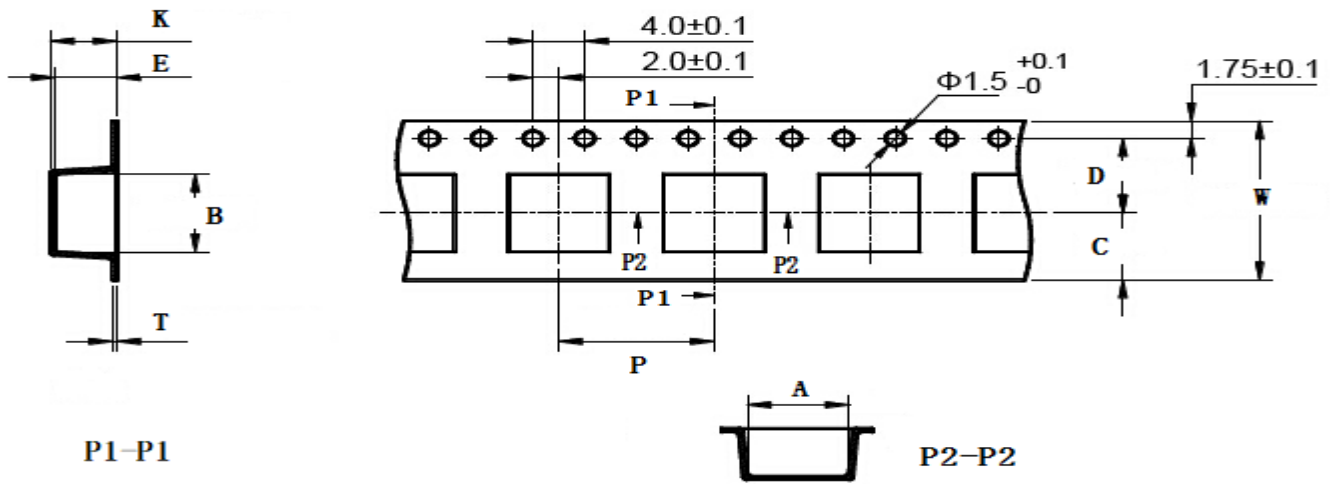
TYPE	A	B Max.	C Max.	D	E	G Ref.	H Ref.	I Ref.
YSPI1770Y	18.0±0.5	17.15	7.0	11.94±0.3	2.5±0.5	12.4	13.0	3.8

**YSPI1770Y Series**

Part Number	Inductance (uH) @100KHz	DC Resistance (mΩ)		Heat Rating Current (A)	Saturation Current (A)
		Typ.	Max.		
YSPI1770Y-1R0M	1.0	1.3	1.6	35.0	60.0
YSPI1770Y-1R5M	1.5	2.0	2.5	33.0	50.0
YSPI1770Y-2R2M	2.2	2.5	3.0	28.0	40.0
YSPI1770Y-3R3M	3.3	3.0	3.6	23.0	30.0
YSPI1770Y-4R7M	4.7	3.9	4.7	20.0	26.0
YSPI1770Y-5R6M	5.6	4.7	5.6	19.0	24.0
YSPI1770Y-6R8M	6.8	5.7	6.9	18.0	23.0
YSPI1770Y-8R2M	8.2	7.2	8.4	17.0	22.0
YSPI1770Y-100M	10	8.0	9.5	16.0	18.0
YSPI1770Y-150M	15	17.0	21.0	12.0	16.0
YSPI1770Y-220M	22	20.5	25.0	10.0	13.0
YSPI1770Y-330M	33	33.0	35.0	8.0	10.0
YSPI1770Y-470M	47	38.5	45.0	7.0	9.0
YSPI1770Y-680M	68	64.0	73.0	5.0	8.5
YSPI1770Y-820M	82	93.0	104	4.5	8.0
YSPI1770Y-101M	100	104	115	4.0	7.0
YSPI1770Y-121M	120	115	130	3.5	5.5
YSPI1770Y-151M	150	135	150	3.0	5.0
YSPI1770Y-221M	220	245	270	2.5	4.0
YSPI1770Y-351M	350	382	415	2.0	3.5

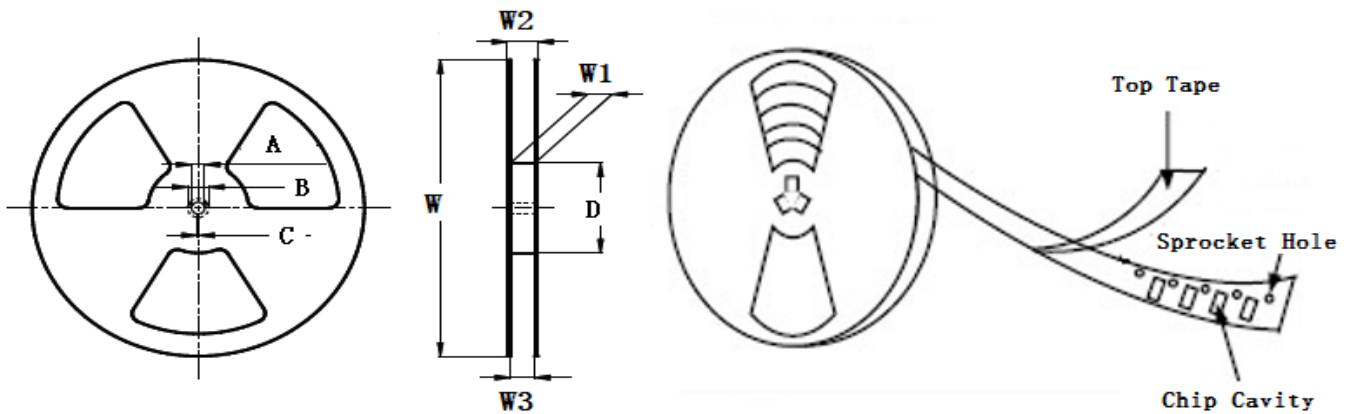
- ※ The saturation current value is the DC current value having inductance decrease down to 30%.(at 20°C)
- ※ The temperature rise current value is the DC current value having temperature increase up to 40°C. (at 20°C)
- ※ The rated current is the DC current value that satisfies both of current value saturation current value and temperature rise current value.

**■ Taping Dimensions(Unit:mm)**



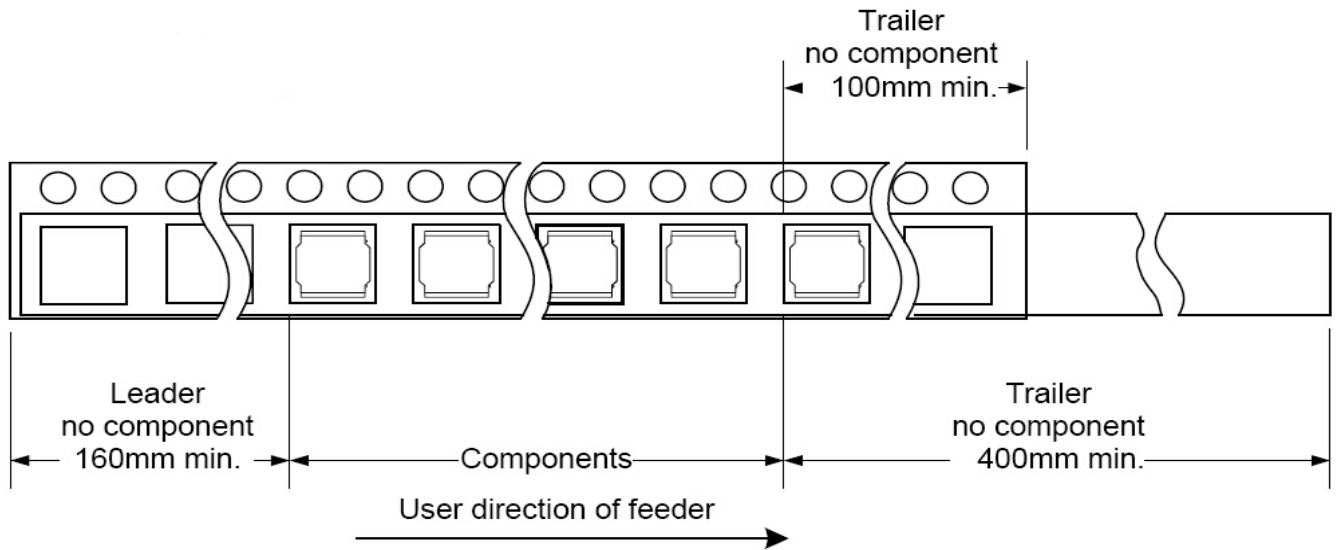
TYPE	W	A	B	C	D	E	P	K Ref	T	MPQ
YSPI1770Y	32±0.3	17.3±0.1	17.9±0.1	16.05	14.2±0.1	7.1±0.1	32±0.1	7.3	0.5±0.05	300

**■ Reel Dimensions(Unit:mm)**

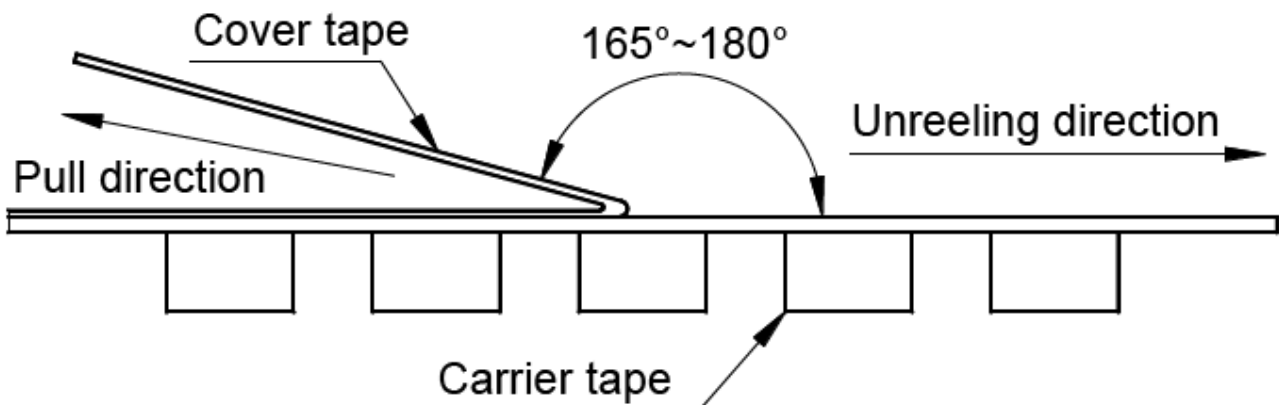


TYPE	W	W1	W2	W3	A	B	C	D
YSPI1770Y	330±2.0	32.4±2.0	38.4MAX	31.9 Min	13.0±0.50	21.0±0.80	2.0±0.50	100 Min

### ■ Direction of rolling



### ■ Cover tape peel off condition



Cover tape peel force shall be 0.1N to 1.3N.

Reference peel speed 300±10mm/min.

## X-ON Electronics

Largest Supplier of Electrical and Electronic Components

*Click to view similar products for [Fixed Inductors](#) category:*

*Click to view products by [YJYCOIN](#) manufacturer:*

Other Similar products are found below :

[CR32NP-100KC](#) [CR54NP-470LC](#) [70F224AI](#) [MGDQ4-00004-P](#) [MHQ1005P10NJ](#) [MHQ1005P1N0S](#) [MHQ1005P2N4S](#) [MHQ1005P3N6S](#)  
[MHQ1005P5N1S](#) [MHQ1005P8N2J](#) [PE-53601NL](#) [PE-53602NL](#) [PG0936.113NLT](#) [9220-20](#) [9310-16](#) [PM06-2N7](#) [PM06-39NJ](#) [A01TK](#)  
[1206CS-471XJ](#) [HC2-R47-R](#) [HC8-1R2-R](#) [HCF1305-3R3-R](#) [1206CS-151XG](#) [RCH664NP-140L](#) [RCH664NP-4R7M](#) [RCP1317NP-391L](#)  
[RCR110DNP-331L](#) [DH2280-4R7M](#) [DS1608C-106](#) [B10TJ](#) [B82498B3101J000](#) [ELJ-RE27NJF2](#) [1812CS-153XJ](#) [1812CS-183XJ](#) [1812CS-](#)  
[223XJ](#) [1812LS-104XJ](#) [1812LS-105XJ](#) [1812LS-124XJ](#) [1812LS-154XJ](#) [1812LS-223XJ](#) [1812LS-224XJ](#) [1812LS-563XJ](#) [1812LS-683XJ](#)  
[1812LS-824XJ](#) [NIN-FB101JTR110F](#) [NIN-FB471JTR62F](#) [NIN-FC1R5JTR220F](#) [NIN-HCR15JTRF](#) [NIN-HCR33JTRF](#) [NIN-HDR22JTRF](#)