

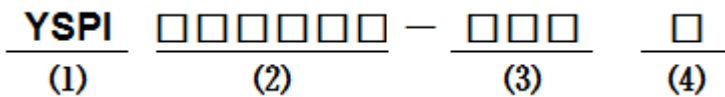
■ Features

- Molding Inductor.
- Low Profile,Low Temp.
- Large Current(Over 15A).
- Customize For Different Need.
- Operating temperature:-55℃ ~ +125℃.

■ Applications

- General Electronic.
- Video Device,TV,TFT.
- Power Module for PC.
- NB/Lap Top Computer.
- Server,VGA Card/Module.

■ Product Identification



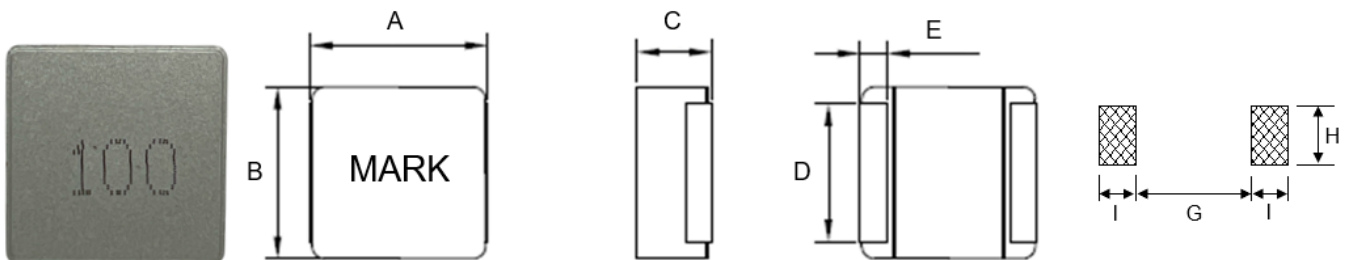
(1) : Type

(2) : Dimensions

(3) : Inductance value

(4) : Inductance Tolerance : N=±30%,M=±20%

■ Shapes and Dimensions (Unit: mm)



TYPE	A	B	C Max.	D	E	G Ref.	H Ref.	I Ref.
YSPI2213TY	22.5±0.5	22.0±0.3	13.0	18.6±0.3	5.0±0.4	11.5	20.0	6.4

■ YSPI2213TY Series

Part Number	Inductance (μ H) @100KHz	DC Resistance (m Ω)		Heat Rating Current (A)	Saturation Current (A)
		Typ.	Max.		
YSPI2213TY-1R0M	1.0 \pm 20%	0.85	0.89	69.0	71.0
YSPI2213TY-1R5M	1.5 \pm 20%	0.90	1.20	65.0	53.0
YSPI2213TY-2R2M	2.2 \pm 20%	1.10	1.25	58.0	48.0
YSPI2213TY-3R3M	3.3 \pm 20%	1.40	1.80	49.0	41.0
YSPI2213TY-4R7M	4.7 \pm 20%	1.70	1.84	47.0	37.0
YSPI2213TY-5R6M	5.6 \pm 20%	2.00	2.50	40.0	36.5
YSPI2213TY-6R8M	6.8 \pm 20%	2.90	3.09	36.0	36.0
YSPI2213TY-100M	10 \pm 20%	3.80	4.14	28.0	28.0
YSPI2213TY-150M	15 \pm 20%	5.50	6.11	23.5	24.0
YSPI2213TY-220M	22 \pm 20%	9.00	10.80	17.5	16.0
YSPI2213TY-330M	33 \pm 20%	14.50	15.40	15.5	15.5
YSPI2213TY-470M	47 \pm 20%	16.30	17.70	13.5	10.0
YSPI2213TY-560M	56 \pm 20%	23.00	28.00	13.0	11.0
YSPI2213TY-680M	68 \pm 20%	31.50	38.00	12.5	13.0
YSPI2213TY-750M	75 \pm 20%	30.00	32.35	12.0	12.0
YSPI2213TY-820M	82 \pm 20%	31.50	34.20	10.2	9.0
YSPI2213TY-101M	100 \pm 20%	37.60	39.40	9.1	7.0
YSPI2213TY-151M	150 \pm 20%	68.00	80.00	6.0	8.0 Drop 30%
YSPI2213TY-201M	200 \pm 20%	92.00	105.00	5.0	7.0 Drop 30%
YSPI2213TY-221M	220 \pm 20%	108.00	125.00	4.5	6.0 Drop 30%
YSPI2213TY-401M	400 \pm 20%	208.00	230.00	4.0	6.0 Drop 30%

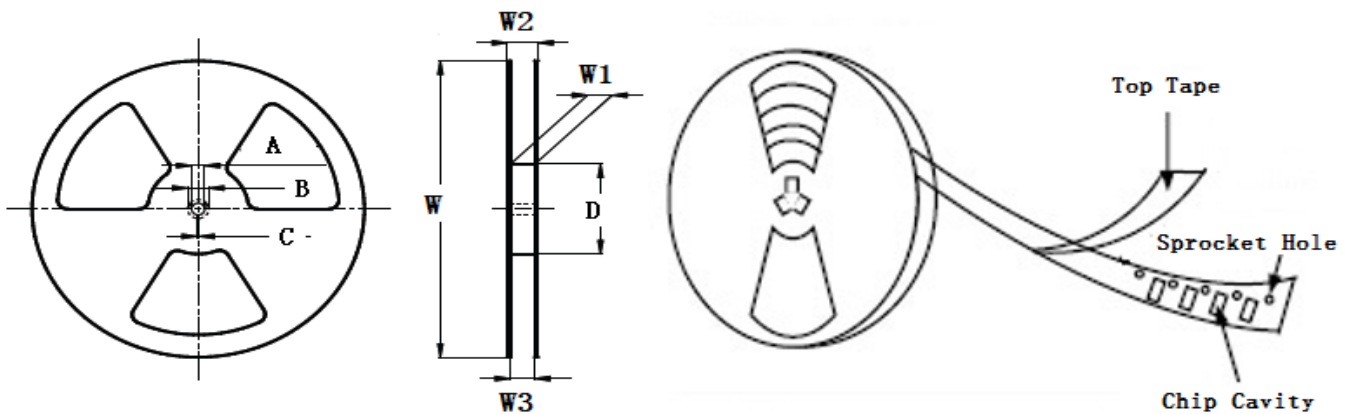
- ※ The saturation current value is the DC current value having inductance decrease down to 30%.(at 20°C)
- ※ The temperature rise current value is the DC current value having temperature increase up to 40°C. (at 20°C)
- ※ The rated current is the DC current value that satisfies both of current value saturation current value and temperature rise current value.

■ Taping Dimensions(Unit:mm)



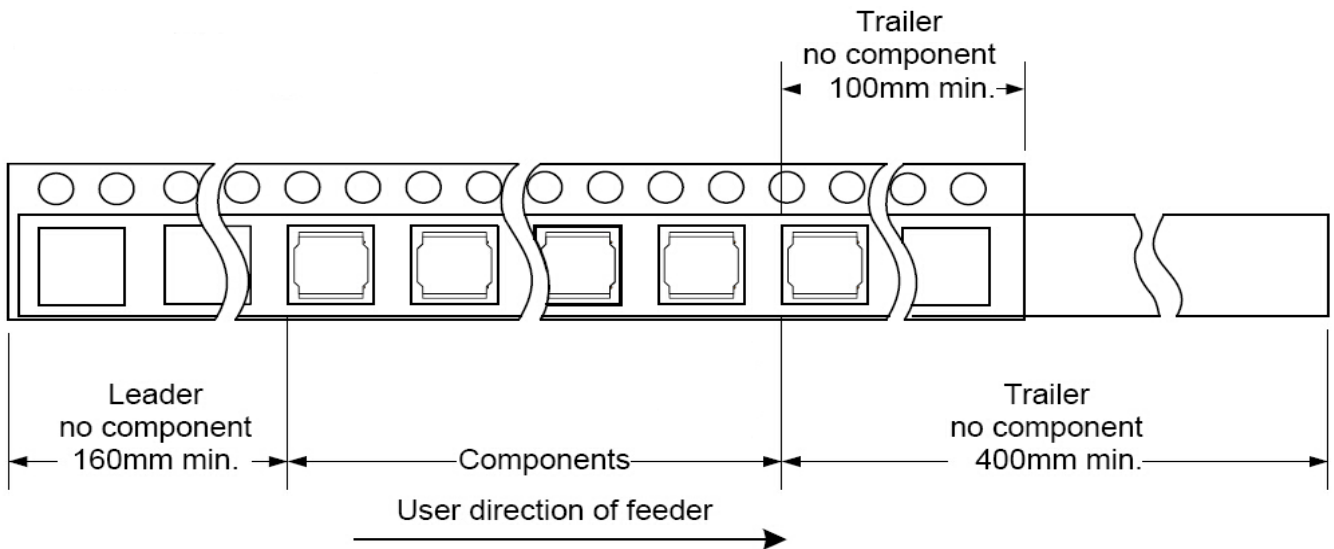
TYPE	W	A	B	C	D	E	P	K Ref	T	MPQ
YSPI2213TY	44±0.3	22.5±0.1	23.0±0.1	20.5	22.5±0.1	13.6±0.1	32±0.1	13.5	0.50±0.05	100

■ Reel Dimensions(Unit:mm)



TYPE	W	W1	W2	W3	A	B	C	D
YSPI2213TY	330±2.0	43.5±1.5	49.0MAX	44.5 Min	13.0±0.50	21.0±0.80	2.0±0.50	100 Min

Direction of rolling



Cover tape peel off condition



Cover tape peel force shall be 0.1N to 1.3N.

Reference peel speed 300±10mm/min.

X-ON Electronics

Largest Supplier of Electrical and Electronic Components

Click to view similar products for [Fixed Inductors](#) category:

Click to view products by [YJYCOIN](#) manufacturer:

Other Similar products are found below :

[CR32NP-100KC](#) [70F224AI](#) [MHQ1005P10NJ](#) [MHQ1005P1N0S](#) [MHQ1005P2N4S](#) [MHQ1005P3N6S](#) [MHQ1005P5N1S](#) [MHQ1005P8N2J](#)
[PE-53601NL](#) [PE-53602NL](#) [PG0936.113NLT](#) [9220-20](#) [9310-16](#) [PM06-2N7](#) [PM06-39NJ](#) [A01TK](#) [1206CS-471XJ](#) [HC2-R47-R](#) [HC8-1R2-R](#)
[HCF1305-3R3-R](#) [1206CS-151XG](#) [RCH664NP-4R7M](#) [RCP1317NP-391L](#) [DH2280-4R7M](#) [DS1608C-106](#) [B10TJ](#) [B82498B3101J000](#) [ELJ-](#)
[RE27NJF2](#) [1812CS-153XJ](#) [1812CS-183XJ](#) [1812CS-223XJ](#) [1812LS-104XJ](#) [1812LS-105XJ](#) [1812LS-124XJ](#) [1812LS-154XJ](#) [1812LS-223XJ](#)
[1812LS-224XJ](#) [1812LS-563XJ](#) [1812LS-683XJ](#) [1812LS-824XJ](#) [NIN-FB101JTR110F](#) [NIN-FB471JTR62F](#) [NIN-FC1R5JTR220F](#) [NIN-](#)
[HCR15JTRF](#) [NIN-HCR33JTRF](#) [NIN-HDR22JTRF](#) [NIN-HDR82JTRF](#) [NIN-HK2N7STRF](#) [NIN-PA150KTR370F](#) [NIN-PB100KTR550F](#)