



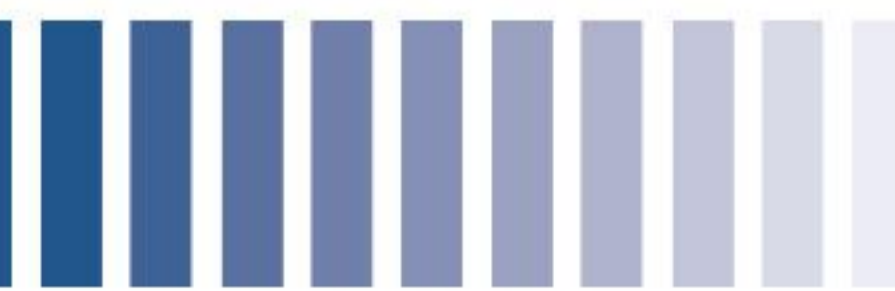
LKM

- ◆ 小体积 耐高频大纹波电流 高频低阻抗 电源专用产品
- ◆ 105℃环境下 7000小时~10000小时
- ◆ 符合AEC-Q200 RoHS指令对应



■ 主要技术参数

| 项目 | 特性 | | | | | | | | | | | | | | | | | | | | | | | | | | | | | | | | | | | | |
|--|--|---------|-------------|------|---------|--------|------|------|------|-----|-------------------|------|------|------|------|------|------|------|------|---------|-----|-----|-----|-----|-----|-----|-----|-----|-------------------|------|------|------|------|------|------|------|------|
| 使用温度范围 | ≤120V.DC -55℃~+105℃ ; 160~500V.DC -40℃~+105℃ | | | | | | | | | | | | | | | | | | | | | | | | | | | | | | | | | | | | |
| 标称电压范围 | 10~500V.DC | | | | | | | | | | | | | | | | | | | | | | | | | | | | | | | | | | | | |
| 容量允许偏差 | ±20% (25±2℃ 120Hz) | | | | | | | | | | | | | | | | | | | | | | | | | | | | | | | | | | | | |
| 漏电流(μA) | 10~120WV I≤0.01CV or 3μA取大者 C:标称容量(μF) V:额定电压(V) 2分钟读数 | | | | | | | | | | | | | | | | | | | | | | | | | | | | | | | | | | | | |
| | 160~500WV I≤0.02CV+10(μA) C:标称容量(μF) V:额定电压(V) 2分钟读数 | | | | | | | | | | | | | | | | | | | | | | | | | | | | | | | | | | | | |
| 损耗角正切值 (25±2℃ 120Hz) | <table border="1"> <tr> <td>额定电压(V)</td> <td>10</td> <td>16</td> <td>25</td> <td>35</td> <td>50</td> <td>63</td> <td>80</td> <td>100</td> </tr> <tr> <td>tg δ</td> <td>0.19</td> <td>0.16</td> <td>0.14</td> <td>0.12</td> <td>0.10</td> <td>0.09</td> <td>0.09</td> <td>0.09</td> </tr> <tr> <td>额定电压(V)</td> <td>120</td> <td>160</td> <td>200</td> <td>250</td> <td>350</td> <td>400</td> <td>450</td> <td>500</td> </tr> <tr> <td>tg δ</td> <td>0.09</td> <td>0.09</td> <td>0.08</td> <td>0.08</td> <td>0.10</td> <td>0.10</td> <td>0.12</td> <td>0.20</td> </tr> </table> | 额定电压(V) | 10 | 16 | 25 | 35 | 50 | 63 | 80 | 100 | tg δ | 0.19 | 0.16 | 0.14 | 0.12 | 0.10 | 0.09 | 0.09 | 0.09 | 额定电压(V) | 120 | 160 | 200 | 250 | 350 | 400 | 450 | 500 | tg δ | 0.09 | 0.09 | 0.08 | 0.08 | 0.10 | 0.10 | 0.12 | 0.20 |
| | 额定电压(V) | 10 | 16 | 25 | 35 | 50 | 63 | 80 | 100 | | | | | | | | | | | | | | | | | | | | | | | | | | | | |
| | tg δ | 0.19 | 0.16 | 0.14 | 0.12 | 0.10 | 0.09 | 0.09 | 0.09 | | | | | | | | | | | | | | | | | | | | | | | | | | | | |
| | 额定电压(V) | 120 | 160 | 200 | 250 | 350 | 400 | 450 | 500 | | | | | | | | | | | | | | | | | | | | | | | | | | | | |
| tg δ | 0.09 | 0.09 | 0.08 | 0.08 | 0.10 | 0.10 | 0.12 | 0.20 | | | | | | | | | | | | | | | | | | | | | | | | | | | | | |
| 标称容量超过1000μF者, 则每增加1000μF, 损耗角正切值增加0.02 | | | | | | | | | | | | | | | | | | | | | | | | | | | | | | | | | | | | | |
| 温度特性 (120Hz) | <table border="1"> <tr> <td>额定电压(V)</td> <td>10</td> <td>16</td> <td>25</td> <td>35</td> <td>50</td> <td>63</td> <td>80</td> <td>100</td> </tr> <tr> <td>阻抗比Z(-40℃)/Z(20℃)</td> <td>6</td> <td>4</td> <td>3</td> <td>3</td> <td>3</td> <td>3</td> <td>3</td> <td>3</td> </tr> <tr> <td>额定电压(V)</td> <td>120</td> <td>160</td> <td>200</td> <td>250</td> <td>350</td> <td>400</td> <td>450</td> <td>500</td> </tr> <tr> <td>阻抗比Z(-40℃)/Z(20℃)</td> <td>5</td> <td>5</td> <td>5</td> <td>5</td> <td>7</td> <td>7</td> <td>7</td> <td>8</td> </tr> </table> | 额定电压(V) | 10 | 16 | 25 | 35 | 50 | 63 | 80 | 100 | 阻抗比Z(-40℃)/Z(20℃) | 6 | 4 | 3 | 3 | 3 | 3 | 3 | 3 | 额定电压(V) | 120 | 160 | 200 | 250 | 350 | 400 | 450 | 500 | 阻抗比Z(-40℃)/Z(20℃) | 5 | 5 | 5 | 5 | 7 | 7 | 7 | 8 |
| | 额定电压(V) | 10 | 16 | 25 | 35 | 50 | 63 | 80 | 100 | | | | | | | | | | | | | | | | | | | | | | | | | | | | |
| | 阻抗比Z(-40℃)/Z(20℃) | 6 | 4 | 3 | 3 | 3 | 3 | 3 | 3 | | | | | | | | | | | | | | | | | | | | | | | | | | | | |
| | 额定电压(V) | 120 | 160 | 200 | 250 | 350 | 400 | 450 | 500 | | | | | | | | | | | | | | | | | | | | | | | | | | | | |
| 阻抗比Z(-40℃)/Z(20℃) | 5 | 5 | 5 | 5 | 7 | 7 | 7 | 8 | | | | | | | | | | | | | | | | | | | | | | | | | | | | | |
| 在105℃烘箱中, 施加含额定纹波电流的额定电压, 持续规定时间后, 置于常温16小时后测试, 测试温度25±2℃, 电容器的性能应满足如下要求 | | | | | | | | | | | | | | | | | | | | | | | | | | | | | | | | | | | | | |
| 耐久性 | 容量变化率 | | 在初始值的±20%以内 | | | | | | | | | | | | | | | | | | | | | | | | | | | | | | | | | | |
| | 损耗角正切值 | | 在规定值的200%以下 | | | | | | | | | | | | | | | | | | | | | | | | | | | | | | | | | | |
| | 漏电流 | | 在规定值以下 | | | | | | | | | | | | | | | | | | | | | | | | | | | | | | | | | | |
| | 负荷寿命 | | φ5 | | | 7000小时 | | | | | | | | | | | | | | | | | | | | | | | | | | | | | | | |
| | | φ6.3 | | | 9000小时 | | | | | | | | | | | | | | | | | | | | | | | | | | | | | | | | |
| | | ≥φ8 | | | 10000小时 | | | | | | | | | | | | | | | | | | | | | | | | | | | | | | | | |
| 高温储存 | 在105℃下, 储存1000小时, 置于常温16小时后测试, 测试温度: 25±2℃, 电容器的性能应满足如下要求 | | | | | | | | | | | | | | | | | | | | | | | | | | | | | | | | | | | | |
| | 容量变化率 | | 在初始值的±20%以内 | | | | | | | | | | | | | | | | | | | | | | | | | | | | | | | | | | |
| | 损耗角正切值 | | 在规定值的200%以下 | | | | | | | | | | | | | | | | | | | | | | | | | | | | | | | | | | |
| | 漏电流 | | 在规定值的200%以下 | | | | | | | | | | | | | | | | | | | | | | | | | | | | | | | | | | |



LKM

■ 标准品一览表

| 电压(V) | 10 | | | 16 | | | 25 | | | 35 | | |
|-------------------------|---------------|---|------------------------------------|---------------|---|------------------------------------|---------------|---|------------------------------------|---------------|---|------------------------------------|
| 项目 容量 (μF) | 尺寸 D×L(mm) | 阻抗 ($\Omega_{max/100kHz}$ 25±2℃) | 纹波电流 (mA r.m.s/ 105℃ 100kHz) | 尺寸 D×L(mm) | 阻抗 ($\Omega_{max/100kHz}$ 25±2℃) | 纹波电流 (mA r.m.s/ 105℃ 100kHz) | 尺寸 D×L(mm) | 阻抗 ($\Omega_{max/100kHz}$ 25±2℃) | 纹波电流 (mA r.m.s/ 105℃ 100kHz) | 尺寸 D×L(mm) | 阻抗 ($\Omega_{max/100kHz}$ 25±2℃) | 纹波电流 (mA r.m.s/ 105℃ 100kHz) |
| 10 | 5×9 | 1.10 | 56 | 5×9 | 1.10 | 71 | 5×9 | 1.10 | 91 | 5×9 | 1.40 | 101 |
| 15 | 5×9 | 1.10 | 76 | 5×9 | 1.10 | 91 | 5×9 | 1.10 | 111 | 5×9 | 1.10 | 121 |
| 22 | 5×9 | 0.40 | 91 | 5×9 | 0.40 | 111 | 5×9 | 1.10 | 121 | 5×9 | 1.10 | 160 |
| 33 | 5×9 | 0.40 | 106 | 5×9 | 0.40 | 121 | 5×9 | 0.40 | 151 | 5×9 | 0.40 | 215 |
| 39 | 5×9 | 0.26 | 136 | 5×9 | 0.40 | 151 | 5×9 | 0.40 | 181 | 5×9 | 0.40 | 345 |
| 47 | 5×9 | 0.26 | 143 | 5×9 | 0.26 | 161 | 5×9 | 0.26 | 211 | 5×9 | 0.37 | 345 |
| 56 | 5×9 | 0.26 | 151 | 5×9 | 0.26 | 171 | 5×9 | 0.26 | 310 | 5×9 | 0.37 | 414 |
| 68 | 5×9 | 0.26 | 161 | 5×9 | 0.26 | 181 | 5×9 | 0.24 | 345 | 5×11 | 0.34 | 443 |
| 68 | | | | | | | | | | 6.3×9 | 0.34 | 486 |
| 82 | 5×9 | 0.26 | 171 | 5×9 | 0.26 | 211 | 5×9 | 0.34 | 414 | 5×11 | 0.28 | 486 |
| 82 | | | | | | | | | | 6.3×9 | 0.28 | 540 |
| 100 | 5×9 | 0.26 | 181 | 5×9 | 0.24 | 345 | 5×9 | 0.34 | 443 | 6.3×9 | 0.28 | 550 |
| 120 | 5×9 | 0.26 | 211 | 5×9 | 0.24 | 345 | 5×11 | 0.34 | 486 | 6.3×9 | 0.28 | 550 |
| 120 | | | | | | | 6.3×9 | 0.28 | 486 | | | |
| 150 | 5×9 | 0.26 | 345 | 5×9 | 0.34 | 414 | 6.3×9 | 0.28 | 540 | 6.3×11 | 0.21 | 660 |
| 150 | | | | | | | | | | 8×9 | 0.21 | 660 |
| 180 | 5×9 | 0.26 | 345 | 5×11 | 0.34 | 443 | 6.3×9 | 0.28 | 550 | 8×9 | 0.21 | 900 |
| 180 | | | | 6.3×9 | 0.34 | 486 | | | | | | |
| 220 | 5×9 | 0.34 | 414 | 6.3×9 | 0.28 | 540 | 6.3×11 | 0.21 | 660 | 8×9 | 0.15 | 945 |
| 220 | | | | | | | 8×9 | 0.21 | 660 | | | |
| 270 | 5×11 | 0.34 | 443 | 6.3×9 | 0.28 | 540 | 8×9 | 0.15 | 900 | 8×11.5 | 0.1200 | 1250 |
| 270 | 6.3×9 | 0.34 | 486 | | | | | | | 10×9 | 0.1200 | 1250 |
| 330 | 6.3×9 | 0.15 | 540 | 6.3×11 | 0.21 | 550 | 8×9 | 0.1500 | 945 | 8×14 | 0.0900 | 1330 |
| 330 | | | | 8×9 | 0.21 | 550 | | | | 10×12.5 | 0.0900 | 1330 |
| 390 | 6.3×9 | 0.15 | 540 | 8×9 | 0.15 | 660 | 8×11.5 | 0.0980 | 1250 | 8×16 | 0.076 | 1420 |
| 390 | | | | | | | 10×9 | 0.0980 | 1250 | 10×12.5 | 0.076 | 1760 |
| 470 | 6.3×11 | 0.15 | 545 | 8×9 | 0.15 | 900 | 8×11.5 | 0.0980 | 1330 | 10×14 | 0.0590 | 1850 |
| 470 | 8×9 | 0.15 | 550 | | | | 10×9 | 0.0980 | 1330 | | | |
| 560 | 6.3×11 | 0.12 | 880 | 8×9 | 0.15 | 900 | 8×14 | 0.0760 | 1420 | 10×14 | 0.0590 | 1960 |
| 560 | 8×9 | 0.12 | 900 | | | | 10×12.5 | 0.0760 | 1760 | | | |
| 680 | 8×9 | 0.12 | 900 | 8×11.5 | 0.0980 | 1250 | 8×16 | 0.0590 | 1500 | 10×16 | 0.0520 | 2120 |
| 680 | | | | 10×9 | 0.0980 | 1330 | 10×12.5 | 0.0590 | 1760 | 12.5×14 | 0.0520 | 2120 |
| 820 | 8×9 | 0.12 | 1180 | 8×14 | 0.0760 | 1420 | 10×14 | 0.0460 | 1850 | 12.5×14 | 0.0520 | 2360 |
| 820 | | | | 10×12.5 | 0.0760 | 1760 | | | | | | |
| 1000 | 8×11.5 | 0.0980 | 1250 | 8×16 | 0.0590 | 1500 | 10×16 | 0.0420 | 1960 | 12.5×16 | 0.0420 | 2480 |
| 1000 | 10×9 | 0.0980 | 1330 | 10×12.5 | 0.0590 | 1850 | 12.5×14 | 0.0420 | 2120 | | | |
| 1200 | 8×14 | 0.0760 | 1420 | 10×14 | 0.0460 | 1850 | 10×20 | 0.0320 | 2120 | 12.5×20 | 0.0380 | 2900 |
| 1200 | 10×12.5 | 0.0760 | 1760 | | | | 12.5×14 | 0.0320 | 2120 | | | |
| 1500 | 8×16 | 0.0590 | 1500 | 10×16 | 0.0420 | 1960 | 10×20 | 0.0280 | 2480 | 12.5×20 | 0.0380 | 2900 |



LKM

■ 标准品一览表

| 电压(V) | 10 | | | 16 | | | 25 | | | 35 | | |
|-------------------------|---------------|--|-------------------------------------|---------------|--|-------------------------------------|---------------|--|-------------------------------------|---------------|--|-------------------------------------|
| 项目 容量 (μF) | 尺寸 D×L(mm) | 阻抗 (Ω max/100KHz 25±2°C) | 纹波电流 (mA r.m.s/ 105°C 100KHz) | 尺寸 D×L(mm) | 阻抗 (Ω max/100KHz 25±2°C) | 纹波电流 (mA r.m.s/ 105°C 100KHz) | 尺寸 D×L(mm) | 阻抗 (Ω max/100KHz 25±2°C) | 纹波电流 (mA r.m.s/ 105°C 100KHz) | 尺寸 D×L(mm) | 阻抗 (Ω max/100KHz 25±2°C) | 纹波电流 (mA r.m.s/ 105°C 100KHz) |
| 1500 | 10×12.5 | 0.0590 | 1760 | 12.5×14 | 0.0420 | 2120 | 12.5×16 | 0.0280 | 2480 | 16×16 | 0.0380 | 3250 |
| 1800 | 10×14 | 0.0460 | 1850 | 10×20 | 0.0380 | 1960 | 12.5×16 | 0.0280 | 2480 | 12.5×25 | 0.0350 | 3450 |
| 1800 | | | | 12.5×14 | 0.0420 | 2120 | | | | 16×20 | 0.0350 | 3630 |
| 2200 | 10×16 | 0.0420 | 1960 | 10×20 | 0.0380 | 2480 | 12.5×20 | 0.0270 | 2900 | 12.5×30 | 0.0320 | 3630 |
| 2200 | 12.5×14 | 0.0420 | 2120 | 12.5×16 | 0.0380 | 2480 | 16×16 | 0.0270 | 3250 | 16×20 | 0.0320 | 3630 |
| 2700 | 10×20 | 0.0320 | 2250 | 12.5×16 | 0.0380 | 2480 | 12.5×25 | 0.0265 | 3450 | 16×25 | 0.0230 | 3890 |
| 2700 | 12.5×14 | 0.0320 | 2250 | | | | 16×20 | 0.0265 | 3630 | 18×20 | 0.0230 | 4010 |
| 3300 | 10×23 | 0.0280 | 2480 | 12.5×20 | 0.0280 | 2900 | 12.5×30 | 0.0260 | 3630 | 16×31.5 | 0.0100 | 4080 |
| 3300 | 12.5×16 | 0.0280 | 2480 | | | | 16×20 | 0.0260 | 3630 | 18×25 | 0.0100 | 4080 |
| 3900 | 12.5×16 | 0.0280 | 2900 | 12.5×25 | 0.0230 | 3250 | 16×25 | 0.0171 | 3890 | 18×25 | 0.0100 | 4080 |
| 3900 | | | | 16×16 | 0.0230 | 3450 | 18×20 | 0.0171 | 3650 | | | |
| 4700 | 12.5×20 | 0.0230 | 3250 | 12.5×25 | 0.0210 | 3450 | 16×25 | 0.0121 | 3890 | | | |
| 4700 | 16×16 | 0.0230 | 3450 | 16×20 | 0.0210 | 3630 | 18×20 | 0.0110 | 4010 | | | |

| 电压(V) | 50 | | | 63 | | | 80 | | | 100 | | |
|-------------------------|---------------|--|-------------------------------------|---------------|--|-------------------------------------|---------------|--|-------------------------------------|---------------|--|-------------------------------------|
| 项目 容量 (μF) | 尺寸 D×L(mm) | 阻抗 (Ω max/100KHz 25±2°C) | 纹波电流 (mA r.m.s/ 105°C 100KHz) | 尺寸 D×L(mm) | 阻抗 (Ω max/100KHz 25±2°C) | 纹波电流 (mA r.m.s/ 105°C 100KHz) | 尺寸 D×L(mm) | 阻抗 (Ω max/100KHz 25±2°C) | 纹波电流 (mA r.m.s/ 105°C 100KHz) | 尺寸 D×L(mm) | 阻抗 (Ω max/100KHz 25±2°C) | 纹波电流 (mA r.m.s/ 105°C 100KHz) |
| 0.47 | 5×9 | 5.50 | 21 | 5×9 | 5.00 | 23 | 5×9 | 6.05 | 24 | 5×9 | 6.05 | 24 |
| 1.0 | 5×9 | 5.50 | 31 | 5×9 | 5.00 | 35 | 5×9 | 6.05 | 37 | 5×9 | 6.05 | 37 |
| 1.2 | | | | 5×9 | 5.00 | 35 | 5×9 | 6.05 | 37 | 5×9 | 6.05 | 37 |
| 1.5 | | | | 5×9 | 5.00 | 41 | 5×9 | 6.05 | 43 | 5×9 | 6.05 | 43 |
| 1.8 | 5×9 | 5.50 | 32 | 5×9 | 5.00 | 41 | 5×9 | 6.05 | 43 | 5×9 | 6.05 | 43 |
| 2.2 | 5×9 | 1.50 | 39 | 5×9 | 1.50 | 45 | 5×9 | 1.50 | 47 | 5×9 | 1.60 | 47 |
| 2.7 | | | | 5×9 | 1.50 | 52 | 5×9 | 1.50 | 55 | 5×9 | 1.60 | 55 |
| 3.3 | 5×9 | 1.50 | 54 | 5×9 | 1.50 | 59 | 5×9 | 1.50 | 62 | 5×9 | 1.60 | 62 |
| 3.9 | 5×9 | 1.50 | 54 | 5×9 | 1.50 | 78 | 5×9 | 1.50 | 81 | 5×9 | 1.60 | 81 |
| 4.7 | 5×9 | 1.50 | 89 | 5×9 | 1.50 | 98 | 5×9 | 1.50 | 101 | 5×9 | 1.60 | 101 |
| 5.6 | 5×9 | 1.50 | 91 | 5×9 | 1.50 | 100 | 5×9 | 1.50 | 106 | 5×9 | 1.40 | 106 |
| 6.8 | 5×9 | 1.50 | 94 | 5×9 | 1.50 | 103 | 5×9 | 1.50 | 111 | 5×9 | 1.40 | 111 |
| 8.2 | 5×9 | 1.50 | 98 | 5×9 | 1.50 | 109 | 5×9 | 1.50 | 121 | 5×9 | 1.40 | 121 |
| 10 | 5×9 | 1.50 | 101 | 5×9 | 1.50 | 111 | 5×9 | 1.40 | 150 | 5×9 | 0.80 | 220 |
| 12 | | | | 5×9 | 1.50 | 121 | 5×9 | 1.40 | 163 | 5×11 | 0.80 | 267 |
| 12 | | | | | | | | | | 6.3×9 | 0.80 | 267 |
| 15 | 5×9 | 1.50 | 121 | 5×9 | 1.50 | 150 | 5×9 | 1.10 | 200 | 5×11 | 0.80 | 267 |
| 15 | | | | | | | | | | 6.3×9 | 0.80 | 267 |
| 18 | | | | 5×9 | 1.1 | 173 | 5×9 | 0.86 | 240 | 6.3×9 | 0.63 | 267 |



LKM

■ 标准品一览表

| 电压(V) | 50 | | | 63 | | | 80 | | | 100 | | |
|-------------------------|---------------|--|-------------------------------------|---------------|--|-------------------------------------|---------------|--|-------------------------------------|---------------|--|-------------------------------------|
| 项目 容量 (μF) | 尺寸 D×L(mm) | 阻抗 ($\Omega_{max/100KHz}$ 25±2°C) | 纹波电流 (mA r.m.s/ 105°C 100KHz) | 尺寸 D×L(mm) | 阻抗 ($\Omega_{max/100KHz}$ 25±2°C) | 纹波电流 (mA r.m.s/ 105°C 100KHz) | 尺寸 D×L(mm) | 阻抗 ($\Omega_{max/100KHz}$ 25±2°C) | 纹波电流 (mA r.m.s/ 105°C 100KHz) | 尺寸 D×L(mm) | 阻抗 ($\Omega_{max/100KHz}$ 25±2°C) | 纹波电流 (mA r.m.s/ 105°C 100KHz) |
| 820 | 16×16 | 0.0390 | 2730 | 16×20 | 0.0350 | 2730 | 18×20 | 0.0420 | 2270 | | | |
| 1000 | 12.5×25 | 0.0390 | 2860 | 16×20 | 0.0350 | 2860 | 16×31.5 | 0.0300 | 2860 | | | |
| 1000 | 16×16 | 0.0390 | 3010 | | | | 18×25 | 0.0340 | 2470 | | | |
| 1200 | 12.5×25 | 0.0340 | 3280 | 16×25 | 0.0340 | 2990 | 18×25 | 0.0300 | 2860 | | | |
| 1200 | 16×20 | 0.0340 | 3300 | 18×20 | 0.0340 | 3300 | | | | | | |
| 1500 | 12.5×30 | 0.0260 | 3280 | 16×25 | 0.0280 | 3280 | 18×31.5 | 0.0290 | 3510 | | | |
| 1500 | 16×25 | 0.0340 | 3300 | | | | | | | | | |
| 1800 | 16×25 | 0.0280 | 3300 | 16×31.5 | 0.0280 | 3570 | | | | | | |
| 1800 | 18×20 | 0.0280 | 3300 | 18×25 | 0.0280 | 3570 | | | | | | |
| 2200 | 18×25 | 0.0280 | 3570 | 18×31.5 | 0.0260 | 3670 | | | | | | |
| 2700 | 18×31.5 | 0.0260 | 3670 | | | | | | | | | |

| 电压(V) | 120 | | | 160 | | | 200 | | | 250 | | |
|-------------------------|---------------|--|-------------------------------------|---------------|--|-------------------------------------|---------------|--|-------------------------------------|---------------|--|-------------------------------------|
| 项目 容量 (μF) | 尺寸 D×L(mm) | 阻抗 ($\Omega_{max/100KHz}$ 25±2°C) | 纹波电流 (mA r.m.s/ 105°C 100KHz) | 尺寸 D×L(mm) | 阻抗 ($\Omega_{max/100KHz}$ 25±2°C) | 纹波电流 (mA r.m.s/ 105°C 100KHz) | 尺寸 D×L(mm) | 阻抗 ($\Omega_{max/100KHz}$ 25±2°C) | 纹波电流 (mA r.m.s/ 105°C 100KHz) | 尺寸 D×L(mm) | 阻抗 ($\Omega_{max/100KHz}$ 25±2°C) | 纹波电流 (mA r.m.s/ 105°C 100KHz) |
| 0.47 | 5×9 | 6.05 | 24 | | | | | | | | | |
| 1.0 | 5×9 | 6.05 | 37 | 5×9 | 28.00 | 68 | 5×9 | 28.00 | 50 | 5×9 | 28.00 | 56 |
| 1.2 | 5×9 | 6.05 | 37 | 5×9 | 28.00 | 68 | 5×9 | 28.00 | 55 | 5×9 | 28.00 | 56 |
| 1.5 | 5×9 | 6.05 | 43 | 5×9 | 28.00 | 95 | 5×9 | 28.00 | 60 | 5×9 | 28.00 | 56 |
| 1.8 | 5×9 | 6.05 | 43 | 5×9 | 28.00 | 95 | 5×9 | 28.00 | 65 | 5×9 | 28.00 | 65 |
| 2.2 | 5×9 | 1.60 | 47 | 5×9 | 28.00 | 95 | 5×9 | 28.00 | 75 | 5×9 | 28.00 | 98 |
| 2.7 | 5×9 | 1.60 | 55 | 5×9 | 28.00 | 95 | 5×9 | 28.00 | 80 | 5×9 | 28.00 | 98 |
| 3.3 | 5×9 | 1.60 | 62 | 5×9 | 28.00 | 95 | 5×9 | 28.00 | 95 | 5×9 | 28.00 | 98 |
| 3.9 | 5×9 | 1.60 | 81 | 5×9 | 28.00 | 95 | 5×9 | 28.00 | 95 | 5×11 | 23.00 | 114 |
| 3.9 | | | | | | | | | | 6.3×9 | 15.60 | 135 |
| 4.7 | 5×9 | 1.60 | 101 | 5×9 | 23.00 | 95 | 5×11 | 23.00 | 104 | 6.3×9 | 15.60 | 135 |
| 4.7 | | | | | | | 6.3×9 | 15.60 | 125 | | | |
| 5.6 | 5×9 | 1.60 | 106 | 5×11 | 23.00 | 104 | 6.3×9 | 15.60 | 125 | 6.3×9 | 15.60 | 140 |
| 5.6 | | | | 6.3×9 | 23.00 | 110 | | | | | | |
| 6.8 | 5×11 | 1.40 | 111 | 6.3×9 | 18.00 | 125 | 6.3×9 | 15.60 | 140 | 6.3×11 | 14.90 | 140 |
| 6.8 | | | | | | | | | | 8×9 | 14.90 | 140 |
| 8.2 | 5×11 | 1.40 | 127 | 6.3×9 | 18.00 | 125 | 6.3×11 | 14.90 | 140 | 6.3×12 | 12.50 | 150 |
| 8.2 | | | | | | | 8×9 | 14.90 | 140 | 8×9 | 12.50 | 170 |
| 10 | 6.3×9 | 1.10 | 220 | 6.3×11 | 15.00 | 132 | 6.3×12 | 12.50 | 160 | 8×9 | 10.00 | 210 |
| 10 | | | | 8×9 | 15.00 | 140 | 8×9 | 12.50 | 170 | | | |
| 12 | 6.3×9 | 1.10 | 220 | 6.3×12 | 12.50 | 140 | 8×11.5 | 7.00 | 210 | 8×11.5 | 7.00 | 270 |



LKM

■ 标准品一览表

| 电压(V) | 120 | | | 160 | | | 200 | | | 250 | | |
|-------------------------|---------------|---------------------------------------|------------------------------------|---------------|---------------------------------------|------------------------------------|---------------|---------------------------------------|------------------------------------|---------------|---------------------------------------|------------------------------------|
| 项目 容量 (μF) | 尺寸 D×L(mm) | 阻抗 (Ω max/100kHz 25±2℃) | 纹波电流 (mA r.m.s/ 105℃ 100kHz) | 尺寸 D×L(mm) | 阻抗 (Ω max/100kHz 25±2℃) | 纹波电流 (mA r.m.s/ 105℃ 100kHz) | 尺寸 D×L(mm) | 阻抗 (Ω max/100kHz 25±2℃) | 纹波电流 (mA r.m.s/ 105℃ 100kHz) | 尺寸 D×L(mm) | 阻抗 (Ω max/100kHz 25±2℃) | 纹波电流 (mA r.m.s/ 105℃ 100kHz) |
| 12 | | | | 8×9 | 12.50 | 150 | | | | | | |
| 15 | 6.3×11 | 0.80 | 267 | 6.3×12 | 12.50 | 140 | 8×11.5 | 4.90 | 256 | 8×11.5 | 4.90 | 270 |
| 15 | 8×9 | 0.80 | 267 | 8×9 | 12.50 | 150 | 10×9 | 4.90 | 280 | 10×9 | 4.90 | 280 |
| 18 | 8×9 | 0.80 | 267 | 8×11.5 | 9.70 | 160 | 8×14 | 3.58 | 280 | 8×14 | 3.58 | 280 |
| 18 | | | | 10×9 | 12.50 | 160 | 10×12.5 | 3.58 | 320 | 10×12.5 | 3.58 | 320 |
| 22 | 8×9 | 0.80 | 290 | 8×11.5 | 7.90 | 160 | 8×16 | 3.58 | 320 | 8×16 | 3.58 | 320 |
| 22 | | | | 10×9 | 7.90 | 250 | 10×12.5 | 3.58 | 320 | 10×12.5 | 3.58 | 320 |
| 27 | 8×11.5 | 0.63 | 420 | 8×14 | 7.90 | 250 | | | | | | |
| 27 | | | | 10×12.5 | 7.90 | 250 | | | | | | |
| 33 | 8×11.5 | 0.49 | 450 | 8×16 | 5.90 | 350 | 8×23 | 1.78 | 603 | 8×23 | 1.78 | 603 |
| 33 | 10×9 | 0.49 | 450 | 10×12.5 | 5.90 | 360 | 10×16 | 1.78 | 708 | 10×16 | 1.78 | 708 |
| 39 | 8×14 | 0.38 | 565 | 8×20 | 5.55 | 580 | | | | | | |
| 39 | 10×12.5 | 0.38 | 565 | 10×14 | 5.55 | 635 | | | | | | |
| 47 | 8×16 | 0.28 | 585 | 8×23 | 5.55 | 635 | 10×20 | 1.46 | 745 | 10×20 | 1.46 | 850 |
| 47 | 10×12.5 | 0.28 | 624 | 10×16 | 5.55 | 680 | 12.5×16 | 1.46 | 960 | 12.5×16 | 1.46 | 960 |
| 56 | 8×20 | 0.25 | 624 | 10×16 | 5.55 | 850 | 10×23 | 1.46 | 960 | 10×23 | 1.46 | 960 |
| 56 | 10×14 | 0.25 | 624 | 12.5×14 | 5.55 | 850 | 12.5×16 | 1.46 | 960 | 12.5×16 | 1.46 | 960 |
| 68 | 8×23 | 0.21 | 735 | 10×20 | 5.55 | 850 | 12.5×20 | 1.35 | 1270 | 12.5×20 | 1.35 | 1270 |
| 68 | 10×16 | 0.21 | 750 | 12.5×14 | 5.55 | 850 | 16×16 | 1.35 | 1270 | 16×16 | 1.35 | 1270 |
| 82 | 10×16 | 0.19 | 780 | 10×20 | 4.36 | 1020 | 12.5×20 | 1.35 | 1270 | 12.5×20 | 1.35 | 1270 |
| 82 | 12.5×14 | 0.19 | 900 | 12.5×16 | 4.36 | 1155 | 16×16 | 1.35 | 1270 | 16×16 | 1.35 | 1270 |
| 100 | 10×20 | 0.14 | 1040 | 12.5×16 | 4.36 | 1155 | 12.5×20 | 1.35 | 1360 | 12.5×25 | 1.32 | 1360 |
| 100 | 12.5×16 | 0.14 | 1040 | | | | 16×16 | 1.35 | 1270 | 16×20 | 1.32 | 1410 |
| 120 | 10×23 | 0.12 | 1170 | 12.5×20 | 3.41 | 1390 | 12.5×25 | 1.25 | 1360 | 16×20 | 1.25 | 1500 |
| 120 | 12.5×16 | 0.12 | 1240 | 16×16 | 3.01 | 1420 | 16×20 | 1.32 | 1850 | | | |
| 150 | 12.5×20 | 0.0930 | 1368 | 12.5×25 | 3.01 | 1520 | 16×20 | 1.20 | 1660 | 16×25 | 1.25 | 1800 |
| 150 | | | | 16×20 | 2.31 | 1850 | | | | 18×20 | 1.25 | 1920 |
| 180 | 12.5×25 | 0.0660 | 1530 | 12.5×30 | 2.31 | 1850 | 16×25 | 0.95 | 2020 | 16×31.5 | 0.95 | 2250 |
| 180 | | | | 16×20 | 2.31 | 1850 | 18×20 | 0.95 | 2020 | 18×25 | 0.95 | 2250 |
| 220 | 16×20 | 0.0660 | 1620 | 16×25 | 1.88 | 2400 | 18×25 | 0.91 | 2380 | 18×31.5 | 0.91 | 2625 |
| 220 | | | | 18×20 | 1.88 | 2320 | | | | | | |
| 270 | 12.5×30 | 0.0560 | 1750 | 16×31.5 | 1.80 | 2715 | | | | | | |
| 270 | 16×20 | 0.0640 | 1750 | 18×25 | 0.98 | 2660 | | | | | | |
| 330 | 16×25 | 0.0470 | 2140 | 18×25 | 0.98 | 2660 | | | | | | |
| 330 | 18×20 | 0.0480 | 2140 | | | | | | | | | |
| 390 | 16×31.5 | 0.0400 | 2210 | 18×31.5 | 0.91 | 2715 | | | | | | |
| 390 | 18×25 | 0.0400 | 2210 | | | | | | | | | |
| 470 | 16×31.5 | 0.0400 | 2270 | | | | | | | | | |
| 470 | 18×25 | 0.0400 | 2270 | | | | | | | | | |



LKM

■ 标准品一览表

| 电压(V) | 120 | | | 160 | | | 200 | | | 250 | | |
|-------------------------|---------------|--|-------------------------------------|---------------|--|-------------------------------------|---------------|--|-------------------------------------|---------------|--|-------------------------------------|
| 项目 容量 (μF) | 尺寸 D×L(mm) | 阻抗 (Ω max/100KHz 25±2°C) | 纹波电流 (mA r.m.s/ 105°C 100KHz) | 尺寸 D×L(mm) | 阻抗 (Ω max/100KHz 25±2°C) | 纹波电流 (mA r.m.s/ 105°C 100KHz) | 尺寸 D×L(mm) | 阻抗 (Ω max/100KHz 25±2°C) | 纹波电流 (mA r.m.s/ 105°C 100KHz) | 尺寸 D×L(mm) | 阻抗 (Ω max/100KHz 25±2°C) | 纹波电流 (mA r.m.s/ 105°C 100KHz) |
| 560 | 16×35.5 | 0.0320 | 2600 | | | | | | | | | |
| 560 | 18×31.5 | 0.0320 | 2600 | | | | | | | | | |
| 680 | 18×35.5 | 0.0300 | 2860 | | | | | | | | | |

| 电压(V) | 350 | | | 400 | | | 450 | | | 500 | | |
|-------------------------|---------------|--|-------------------------------------|---------------|--|-------------------------------------|---------------|--|-------------------------------------|---------------|--|-------------------------------------|
| 项目 容量 (μF) | 尺寸 D×L(mm) | 阻抗 (Ω max/100KHz 25±2°C) | 纹波电流 (mA r.m.s/ 105°C 100KHz) | 尺寸 D×L(mm) | 阻抗 (Ω max/100KHz 25±2°C) | 纹波电流 (mA r.m.s/ 105°C 100KHz) | 尺寸 D×L(mm) | 阻抗 (Ω max/100KHz 25±2°C) | 纹波电流 (mA r.m.s/ 105°C 100KHz) | 尺寸 D×L(mm) | 阻抗 (Ω max/100KHz 25±2°C) | 纹波电流 (mA r.m.s/ 105°C 100KHz) |
| 1.0 | 5×9 | 55.00 | 73 | 5×9 | 55.00 | 73 | 5×9 | 55.00 | 73 | 6.3×9 | 52.00 | 45 |
| 1.2 | 5×9 | 36.00 | 90 | 5×9 | 36.00 | 76 | 5×9 | 52.00 | 78 | 6.3×9 | 52.00 | 45 |
| 1.5 | 5×9 | 36.00 | 90 | 5×9 | 36.00 | 76 | 5×11 | 52.00 | 81 | 6.3×9 | 52.00 | 45 |
| 1.5 | | | | | | | 6.3×9 | 52.00 | 90 | | | |
| 1.8 | 5×9 | 36.00 | 95 | 5×9 | 36.00 | 87 | 6.3×9 | 52.00 | 95 | 8×9 | 45.00 | 80 |
| 2.2 | 5×11 | 36.00 | 104 | 6.3×9 | 29.00 | 105 | 6.3×9 | 42.00 | 100 | 8×9 | 45.00 | 80 |
| 2.2 | 6.3×9 | 36.00 | 125 | | | | | | | | | |
| 2.7 | 6.3×9 | 26.00 | 125 | 6.3×9 | 26.00 | 125 | 6.3×9 | 42.00 | 100 | 8×11.5 | 18.50 | 85 |
| 3.3 | 6.3×9 | 23.00 | 131 | 6.3×9 | 25.00 | 131 | 6.3×12 | 25.00 | 120 | 8×11.5 | 18.50 | 85 |
| 3.3 | | | | | | | 8×9 | 25.00 | 120 | | | |
| 3.9 | 6.3×11 | 17.00 | 131 | 6.3×11 | 25.00 | 140 | 8×9 | 25.00 | 135 | 8×14 | 13.00 | 85 |
| 3.9 | 8×9 | 17.00 | 131 | 8×9 | 23.50 | 140 | | | | | | |
| 4.7 | 6.3×11 | 17.00 | 140 | 6.3×12 | 23.50 | 140 | 8×11.5 | 18.50 | 135 | 8×16 | 13.00 | 130 |
| 4.7 | 8×9 | 17.00 | 140 | 8×9 | 23.50 | 140 | 10×9 | 18.50 | 135 | | | |
| 5.6 | 8×9 | 17.00 | 140 | 8×11.5 | 15.00 | 200 | 8×14 | 15.00 | 140 | 10×14 | 13.00 | 130 |
| 5.6 | | | | 10×9 | 15.00 | 220 | 10×9 | 13.50 | 140 | | | |
| 6.8 | 8×11.5 | 15.00 | 200 | 8×11.5 | 15.00 | 210 | 8×16 | 8.05 | 220 | 10×14 | 13.00 | 130 |
| 6.8 | 10×9 | 17.00 | 210 | 10×9 | 15.00 | 250 | 10×12.5 | 12.00 | 200 | | | |
| 8.2 | 8×14 | 11.25 | 220 | 8×14 | 11.00 | 250 | 8×16 | 8.05 | 220 | 10×14 | 11.00 | 240 |
| 8.2 | 10×9 | 15.00 | 250 | 10×9 | 11.00 | 270 | 10×12.5 | 12.00 | 200 | | | |
| 10 | 8×14 | 8.05 | 250 | 8×16 | 8.05 | 270 | 8×20 | 8.05 | 260 | 8×23 | 11.00 | 240 |
| 10 | 10×12.5 | 11.00 | 270 | 10×12.5 | 11.00 | 270 | 10×14 | 8.05 | 350 | 10×16 | 10.00 | 260 |
| 12 | 8×20 | 9.00 | 360 | 10×14 | 9.00 | 340 | 10×16 | 7.90 | 370 | 12.5×14 | 9.50 | 265 |
| 15 | 8×20 | 6.50 | 360 | 10×14 | 8.50 | 340 | 10×16 | 7.70 | 370 | 12.5×16 | 8.00 | 270 |
| 15 | 10×14 | 6.50 | 460 | | | | 12.5×14 | 7.70 | 370 | | | |
| 18 | 10×16 | 6.50 | 480 | 10×16 | 6.50 | 360 | 12.5×16 | 6.70 | 410 | 12.5×16 | 7.00 | 470 |
| 18 | 12.5×14 | 6.50 | 585 | 12.5×14 | 6.50 | 360 | | | | | | |
| 22 | 10×20 | 6.50 | 585 | 10×20 | 6.50 | 570 | 12.5×16 | 6.70 | 450 | 12.5×20 | 7.00 | 470 |
| 22 | 12.5×14 | 6.50 | 585 | 12.5×16 | 6.50 | 570 | | | | | | |

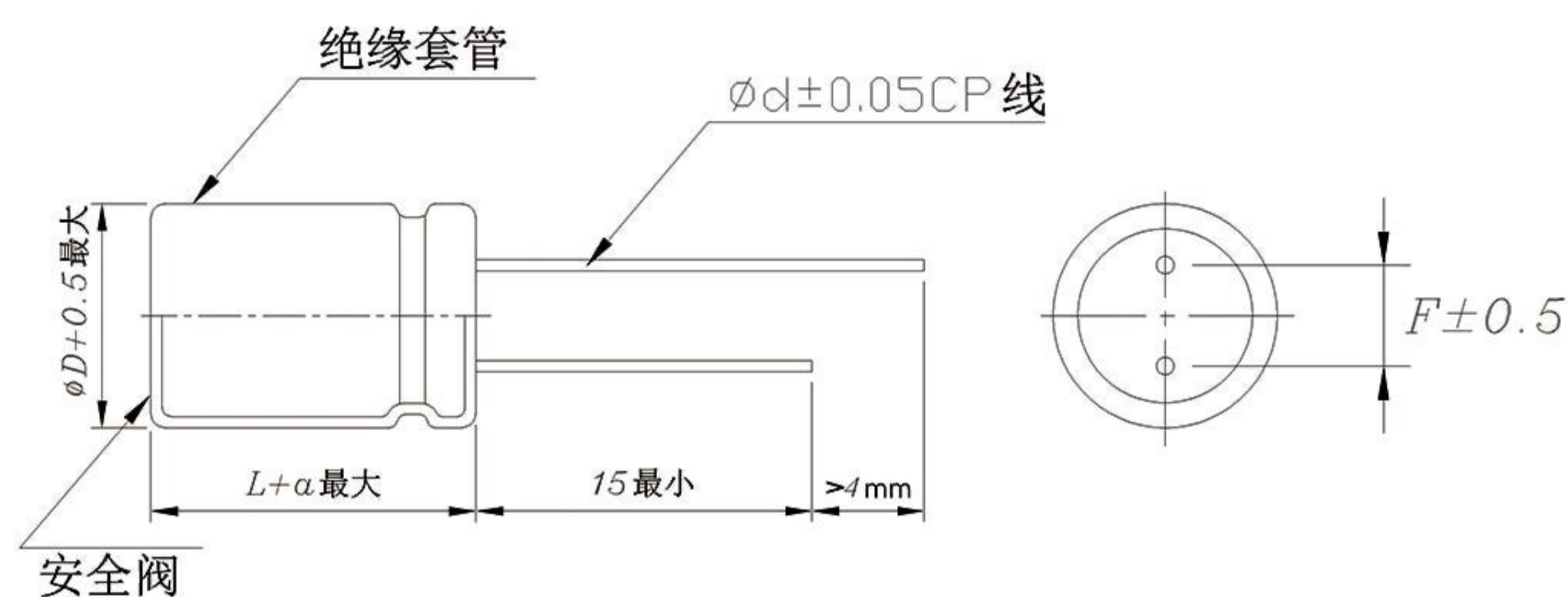


LKM

■ 标准品一览表

| 电压(V) | 350 | | | 400 | | | 450 | | | 500 | | |
|-------------------------|---------------|--|-------------------------------------|---------------|--|-------------------------------------|---------------|--|-------------------------------------|---------------|--|-------------------------------------|
| 项目 容量 (μF) | 尺寸 D×L(mm) | 阻抗 (Ω max/100KHz 25±2°C) | 纹波电流 (mA r.m.s/ 105°C 100KHz) | 尺寸 D×L(mm) | 阻抗 (Ω max/100KHz 25±2°C) | 纹波电流 (mA r.m.s/ 105°C 100KHz) | 尺寸 D×L(mm) | 阻抗 (Ω max/100KHz 25±2°C) | 纹波电流 (mA r.m.s/ 105°C 100KHz) | 尺寸 D×L(mm) | 阻抗 (Ω max/100KHz 25±2°C) | 纹波电流 (mA r.m.s/ 105°C 100KHz) |
| 33 | 12.5×16 | 6.50 | 960 | 12.5×20 | 3.25 | 850 | 12.5×20 | 3.05 | 710 | 12.5×25 | 5.50 | 700 |
| 33 | | | | 16×16 | 3.25 | 900 | 16×16 | 3.05 | 740 | 16×20 | 3.50 | 700 |
| 47 | 12.5×20 | 2.25 | 1115 | 12.5×25 | 2.25 | 1100 | 12.5×30 | 1.60 | 1215 | 16×25 | 2.50 | 720 |
| 47 | 16×16 | 2.25 | 1060 | 16×20 | 2.25 | 1155 | 16×20 | 1.60 | 1215 | | | |
| 56 | 12.5×25 | 2.25 | 1115 | 12.5×25 | 2.25 | 1155 | 16×25 | 1.60 | 1215 | 16×31.5 | 2.30 | 840 |
| 56 | 16×20 | 2.25 | 1155 | 16×20 | 2.25 | 1400 | 18×20 | 1.60 | 1300 | 18×25 | 2.30 | 840 |
| 68 | 12.5×30 | 2.25 | 1115 | 16×25 | 1.60 | 1460 | 16×31.5 | 1.60 | 1215 | 18×25 | 2.30 | 840 |
| 68 | 16×20 | 2.25 | 1400 | 18×20 | 1.60 | 1530 | 18×25 | 1.60 | 1215 | | | |
| 82 | 16×25 | 1.60 | 1550 | 16×31.5 | 1.60 | 1740 | 16×35.5 | 1.35 | 1675 | 18×31.5 | 1.80 | 1100 |
| 82 | 18×20 | 1.60 | 1530 | 18×25 | 1.60 | 1740 | 18×25 | 1.45 | 1700 | | | |
| 100 | 16×25 | 1.60 | 2230 | 18×25 | 1.60 | 1740 | 18×31.5 | 1.35 | 1800 | 18×35.5 | 1.50 | 1150 |
| 120 | 18×25 | 1.60 | 2305 | 18×31.5 | 1.50 | 2305 | 18×35.5 | 1.25 | 1930 | 18×40 | 1.40 | 1200 |
| 150 | 18×31.5 | 1.50 | 2720 | 18×35.5 | 1.50 | 3330 | 18×40 | 1.15 | 2350 | | | |

■ 产品尺寸图 (单位: mm)



备注: $\geq \phi 6.3$ 产品有安全阀

| | |
|------|-------|
| L=9 | a=1.0 |
| L≤16 | a=1.5 |
| L>16 | a=2.0 |

| | | | | | | | |
|---|-----|-----|-----|-----|------|-----|-----|
| D | 5 | 6.3 | 8 | 10 | 12.5 | 16 | 18 |
| d | 0.5 | 0.5 | 0.6 | 0.6 | 0.6 | 0.8 | 0.8 |
| F | 2.0 | 2.5 | 3.5 | 5.0 | 5.0 | 7.5 | 7.5 |

■ 纹波电流补偿系数

① 频率修正系数

| | | | | | |
|------|------|------|------|---------|------|
| 频率 | 50 | 120 | 1K | 10K~50K | 100K |
| 修正因子 | 0.40 | 0.50 | 0.80 | 0.90 | 1.00 |

② 温度修正系数

| | | | | |
|----------|------|------|------|-------|
| 环境温度(°C) | 50°C | 70°C | 85°C | 105°C |
| 修正因子 | 2.1 | 1.8 | 1.4 | 1.0 |

X-ON Electronics

Largest Supplier of Electrical and Electronic Components

Click to view similar products for [Aluminium Electrolytic Capacitors - Radial Leaded](#) category:

Click to view products by [Ymin](#) manufacturer:

Other Similar products are found below :

[NRELS102M35V16X16C.140LLF](#) [ESRG160ETC100MD07D](#) [227RZS050M](#) [335CKR250M](#) [476CKH100MSA](#) [477CKR100M](#)
[107CKR010M](#) [107CKH063MSA](#) [RJH-25V222MI9#](#) [RJH-35V221MG5#](#) [B43827A1106M8](#) [RJH-50V221MH6#](#) [EKYA500ELL470MF11D](#)
[B41022A5686M6](#) [ESRG250ELL101MH09D](#) [EKMA160EC3101MF07D](#) [RJB-10V471MG3#](#) [ESMG160ETD221MF11D](#)
[EKZH160ETD152MJ20S](#) [RJH-35V122MJ6#](#) [EGXF630ELL621ML20S](#) [RBD-25V100KE3#N](#) [EKMA350ELL100ME07D](#)
[ESMG160ETD101ME11D](#) [ELXY100ETD102MJ20S](#) [EGXF500ELL561ML15S](#) [EKMG350ETD471MJ16S](#) [35YXA330MEFC10X12.5](#)
[RXW471M1ESA-0815](#) [ELXZ630ELL221MJ25S](#) [ERR1HM1R0D11OT](#) [LPE681M30060FVA](#) [LPL471M22030FVA](#) [HFE221M25030FVA](#)
[LKMD1401H221MF](#) [B41888G6108M000](#) [EKMA160ETD470MF07D](#) [UHW1J102MHD6](#) [EKMG500ETD221MJC5S](#) [LKMK2502W101MF](#)
[LKMD1401H181MF](#) [LKMI2502G820MF](#) [LKMJ2001J122MF](#) [LKML2501C472MF](#) [LKMJ4002C681MF](#) [450MXH330MEFCSN25X45](#)
[450MXK330MA2RFC22X50](#) [63ZLH560MEFCG412.5X30](#) [ELH2DM331O25KT](#) [ELH2DM471P30KT](#)