



## LKM

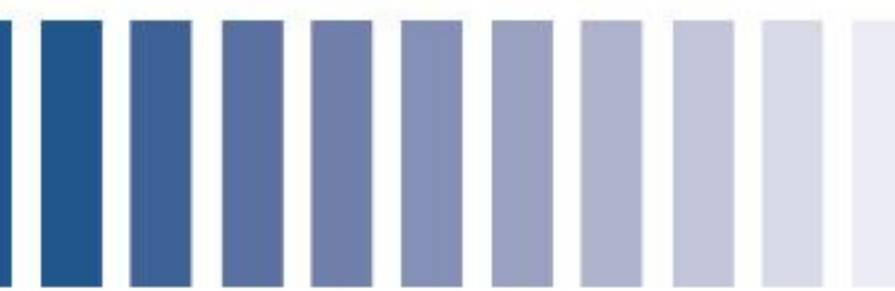
- ◆ 小体积 耐高频大纹波电流 高频低阻抗 电源专用产品
- ◆ 105℃环境下 7000小时~10000小时
- ◆ 符合AEC-Q200 RoHS指令对应



### ■ 主要技术参数

| 项目                      | 特性  |         |             |        |             |             |             |      |        |     |                   |      |        |      |        |      |         |      |      |         |     |     |     |     |     |     |     |     |                   |      |      |      |      |      |      |      |      |
|-------------------------|---|---------|-------------|--------|-------------|-------------|-------------|------|--------|-----|-------------------|------|--------|------|--------|------|---------|------|------|---------|-----|-----|-----|-----|-----|-----|-----|-----|-------------------|------|------|------|------|------|------|------|------|
| 使用温度范围                  | ≤120V.DC -55℃~+105℃ ; 160~500V.DC -40℃~+105℃  |         |             |        |             |             |             |      |        |     |                   |      |        |      |        |      |         |      |      |         |     |     |     |     |     |     |     |     |                   |      |      |      |      |      |      |      |      |
| 标称电压范围                  | 10~500V.DC  |         |             |        |             |             |             |      |        |     |                   |      |        |      |        |      |         |      |      |         |     |     |     |     |     |     |     |     |                   |      |      |      |      |      |      |      |      |
| 容量允许偏差                  | ±20% (25±2℃ 120Hz)  |         |             |        |             |             |             |      |        |     |                   |      |        |      |        |      |         |      |      |         |     |     |     |     |     |     |     |     |                   |      |      |      |      |      |      |      |      |
| 漏电流(µA)                 | 10~120WV I≤0.01CV or 3µA取大者 C:标称容量(µF) V:额定电压(V) 2分钟读数<br>160~500WV I≤0.02CV+10(µA) C:标称容量(µF) V:额定电压(V) 2分钟读数  |         |             |        |             |             |             |      |        |     |                   |      |        |      |        |      |         |      |      |         |     |     |     |     |     |     |     |     |                   |      |      |      |      |      |      |      |      |
| 损耗角正切值<br>(25±2℃ 120Hz) | <table border="1"> <tr> <td>额定电压(V)</td> <td>10</td> <td>16</td> <td>25</td> <td>35</td> <td>50</td> <td>63</td> <td>80</td> <td>100</td> </tr> <tr> <td>tg δ</td> <td>0.19</td> <td>0.16</td> <td>0.14</td> <td>0.12</td> <td>0.10</td> <td>0.09</td> <td>0.09</td> <td>0.09</td> </tr> <tr> <td>额定电压(V)</td> <td>120</td> <td>160</td> <td>200</td> <td>250</td> <td>350</td> <td>400</td> <td>450</td> <td>500</td> </tr> <tr> <td>tg δ</td> <td>0.09</td> <td>0.09</td> <td>0.08</td> <td>0.08</td> <td>0.10</td> <td>0.10</td> <td>0.12</td> <td>0.20</td> </tr> </table> <p>标称容量超过1000µF者, 则每增加1000µF, 损耗角正切值增加0.02</p> | 额定电压(V) | 10          | 16     | 25          | 35          | 50          | 63   | 80     | 100 | tg δ              | 0.19 | 0.16   | 0.14 | 0.12   | 0.10 | 0.09    | 0.09 | 0.09 | 额定电压(V) | 120 | 160 | 200 | 250 | 350 | 400 | 450 | 500 | tg δ              | 0.09 | 0.09 | 0.08 | 0.08 | 0.10 | 0.10 | 0.12 | 0.20 |
| 额定电压(V)                 | 10  | 16      | 25          | 35     | 50          | 63          | 80          | 100  |        |     |                   |      |        |      |        |      |         |      |      |         |     |     |     |     |     |     |     |     |                   |      |      |      |      |      |      |      |      |
| tg δ                    | 0.19  | 0.16    | 0.14        | 0.12   | 0.10        | 0.09        | 0.09        | 0.09 |        |     |                   |      |        |      |        |      |         |      |      |         |     |     |     |     |     |     |     |     |                   |      |      |      |      |      |      |      |      |
| 额定电压(V)                 | 120   | 160     | 200         | 250    | 350         | 400         | 450         | 500  |        |     |                   |      |        |      |        |      |         |      |      |         |     |     |     |     |     |     |     |     |                   |      |      |      |      |      |      |      |      |
| tg δ                    | 0.09  | 0.09    | 0.08        | 0.08   | 0.10        | 0.10        | 0.12        | 0.20 |        |     |                   |      |        |      |        |      |         |      |      |         |     |     |     |     |     |     |     |     |                   |      |      |      |      |      |      |      |      |
| 温度特性<br>(120Hz)         | <table border="1"> <tr> <td>额定电压(V)</td> <td>10</td> <td>16</td> <td>25</td> <td>35</td> <td>50</td> <td>63</td> <td>80</td> <td>100</td> </tr> <tr> <td>阻抗比Z(-40℃)/Z(20℃)</td> <td>6</td> <td>4</td> <td>3</td> <td>3</td> <td>3</td> <td>3</td> <td>3</td> <td>3</td> </tr> <tr> <td>额定电压(V)</td> <td>120</td> <td>160</td> <td>200</td> <td>250</td> <td>350</td> <td>400</td> <td>450</td> <td>500</td> </tr> <tr> <td>阻抗比Z(-40℃)/Z(20℃)</td> <td>5</td> <td>5</td> <td>5</td> <td>5</td> <td>7</td> <td>7</td> <td>7</td> <td>8</td> </tr> </table>  | 额定电压(V) | 10          | 16     | 25          | 35          | 50          | 63   | 80     | 100 | 阻抗比Z(-40℃)/Z(20℃) | 6    | 4      | 3    | 3      | 3    | 3       | 3    | 3    | 额定电压(V) | 120 | 160 | 200 | 250 | 350 | 400 | 450 | 500 | 阻抗比Z(-40℃)/Z(20℃) | 5    | 5    | 5    | 5    | 7    | 7    | 7    | 8    |
| 额定电压(V)                 | 10  | 16      | 25          | 35     | 50          | 63          | 80          | 100  |        |     |                   |      |        |      |        |      |         |      |      |         |     |     |     |     |     |     |     |     |                   |      |      |      |      |      |      |      |      |
| 阻抗比Z(-40℃)/Z(20℃)       | 6   | 4       | 3           | 3      | 3           | 3           | 3           | 3    |        |     |                   |      |        |      |        |      |         |      |      |         |     |     |     |     |     |     |     |     |                   |      |      |      |      |      |      |      |      |
| 额定电压(V)                 | 120   | 160     | 200         | 250    | 350         | 400         | 450         | 500  |        |     |                   |      |        |      |        |      |         |      |      |         |     |     |     |     |     |     |     |     |                   |      |      |      |      |      |      |      |      |
| 阻抗比Z(-40℃)/Z(20℃)       | 5   | 5       | 5           | 5      | 7           | 7           | 7           | 8    |        |     |                   |      |        |      |        |      |         |      |      |         |     |     |     |     |     |     |     |     |                   |      |      |      |      |      |      |      |      |
| 耐久性                     | <p>在105℃烘箱中, 施加含额定纹波电流的额定电压, 持续规定时间后, 置于常温16小时后测试, 测试温度25±2℃, 电容器的性能应满足如下要求</p> <table border="1"> <tr> <td>容量变化率</td> <td colspan="2">在初始值的±20%以内</td> </tr> <tr> <td>损耗角正切值</td> <td colspan="2">在规定值的200%以下</td> </tr> <tr> <td>漏电流</td> <td colspan="2">在规定值以下</td> </tr> <tr> <td rowspan="3">负荷寿命</td> <td>φ5</td> <td>7000小时</td> </tr> <tr> <td>φ6.3</td> <td>9000小时</td> </tr> <tr> <td>≥φ8</td> <td>10000小时</td> </tr> </table>   | 容量变化率   | 在初始值的±20%以内 |        | 损耗角正切值      | 在规定值的200%以下 |             | 漏电流  | 在规定值以下 |     | 负荷寿命              | φ5   | 7000小时 | φ6.3 | 9000小时 | ≥φ8  | 10000小时 |      |      |         |     |     |     |     |     |     |     |     |                   |      |      |      |      |      |      |      |      |
| 容量变化率                   | 在初始值的±20%以内   |         |             |        |             |             |             |      |        |     |                   |      |        |      |        |      |         |      |      |         |     |     |     |     |     |     |     |     |                   |      |      |      |      |      |      |      |      |
| 损耗角正切值                  | 在规定值的200%以下   |         |             |        |             |             |             |      |        |     |                   |      |        |      |        |      |         |      |      |         |     |     |     |     |     |     |     |     |                   |      |      |      |      |      |      |      |      |
| 漏电流                     | 在规定值以下  |         |             |        |             |             |             |      |        |     |                   |      |        |      |        |      |         |      |      |         |     |     |     |     |     |     |     |     |                   |      |      |      |      |      |      |      |      |
| 负荷寿命                    | φ5  | 7000小时  |             |        |             |             |             |      |        |     |                   |      |        |      |        |      |         |      |      |         |     |     |     |     |     |     |     |     |                   |      |      |      |      |      |      |      |      |
|                         | φ6.3  | 9000小时  |             |        |             |             |             |      |        |     |                   |      |        |      |        |      |         |      |      |         |     |     |     |     |     |     |     |     |                   |      |      |      |      |      |      |      |      |
|                         | ≥φ8   | 10000小时 |             |        |             |             |             |      |        |     |                   |      |        |      |        |      |         |      |      |         |     |     |     |     |     |     |     |     |                   |      |      |      |      |      |      |      |      |
| 高温储存                    | <p>在105℃下, 储存1000小时, 置于常温16小时后测试, 测试温度: 25±2℃, 电容器的性能应满足如下要求</p> <table border="1"> <tr> <td>容量变化率</td> <td>在初始值的±20%以内</td> </tr> <tr> <td>损耗角正切值</td> <td>在规定值的200%以下</td> </tr> <tr> <td>漏电流</td> <td>在规定值的200%以下</td> </tr> </table>  | 容量变化率   | 在初始值的±20%以内 | 损耗角正切值 | 在规定值的200%以下 | 漏电流         | 在规定值的200%以下 |      |        |     |                   |      |        |      |        |      |         |      |      |         |     |     |     |     |     |     |     |     |                   |      |      |      |      |      |      |      |      |
| 容量变化率                   | 在初始值的±20%以内   |         |             |        |             |             |             |      |        |     |                   |      |        |      |        |      |         |      |      |         |     |     |     |     |     |     |     |     |                   |      |      |      |      |      |      |      |      |
| 损耗角正切值                  | 在规定值的200%以下   |         |             |        |             |             |             |      |        |     |                   |      |        |      |        |      |         |      |      |         |     |     |     |     |     |     |     |     |                   |      |      |      |      |      |      |      |      |
| 漏电流                     | 在规定值的200%以下   |         |             |        |             |             |             |      |        |     |                   |      |        |      |        |      |         |      |      |         |     |     |     |     |     |     |     |     |                   |      |      |      |      |      |      |      |      |





# LKM

## ■ 标准品一览表

| 电压(V)                   | 10            |   |                                    | 16            |   |                                    | 25            |   |                                    | 35            |   |                                    |
|-------------------------|---------------|---|------------------------------------|---------------|---|------------------------------------|---------------|---|------------------------------------|---------------|---|------------------------------------|
| 项目<br>容量<br>( $\mu F$ ) | 尺寸<br>D×L(mm) | 阻抗<br>( $\Omega_{max/100kHz}$<br>25±2℃) | 纹波电流<br>(mA r.m.s/<br>105℃ 100kHz) | 尺寸<br>D×L(mm) | 阻抗<br>( $\Omega_{max/100kHz}$<br>25±2℃) | 纹波电流<br>(mA r.m.s/<br>105℃ 100kHz) | 尺寸<br>D×L(mm) | 阻抗<br>( $\Omega_{max/100kHz}$<br>25±2℃) | 纹波电流<br>(mA r.m.s/<br>105℃ 100kHz) | 尺寸<br>D×L(mm) | 阻抗<br>( $\Omega_{max/100kHz}$<br>25±2℃) | 纹波电流<br>(mA r.m.s/<br>105℃ 100kHz) |
| 10                      | 5×9           | 1.10                                    | 56                                 | 5×9           | 1.10                                    | 71                                 | 5×9           | 1.10                                    | 91                                 | 5×9           | 1.40                                    | 101                                |
| 15                      | 5×9           | 1.10                                    | 76                                 | 5×9           | 1.10                                    | 91                                 | 5×9           | 1.10                                    | 111                                | 5×9           | 1.10                                    | 121                                |
| 22                      | 5×9           | 0.40                                    | 91                                 | 5×9           | 0.40                                    | 111                                | 5×9           | 1.10                                    | 121                                | 5×9           | 1.10                                    | 160                                |
| 33                      | 5×9           | 0.40                                    | 106                                | 5×9           | 0.40                                    | 121                                | 5×9           | 0.40                                    | 151                                | 5×9           | 0.40                                    | 215                                |
| 39                      | 5×9           | 0.26                                    | 136                                | 5×9           | 0.40                                    | 151                                | 5×9           | 0.40                                    | 181                                | 5×9           | 0.40                                    | 345                                |
| 47                      | 5×9           | 0.26                                    | 143                                | 5×9           | 0.26                                    | 161                                | 5×9           | 0.26                                    | 211                                | 5×9           | 0.37                                    | 345                                |
| 56                      | 5×9           | 0.26                                    | 151                                | 5×9           | 0.26                                    | 171                                | 5×9           | 0.26                                    | 310                                | 5×9           | 0.37                                    | 414                                |
| 68                      | 5×9           | 0.26                                    | 161                                | 5×9           | 0.26                                    | 181                                | 5×9           | 0.24                                    | 345                                | 5×11          | 0.34                                    | 443                                |
| 68                      |               |   |                                    |               |   |                                    |               |   |                                    | 6.3×9         | 0.34                                    | 486                                |
| 82                      | 5×9           | 0.26                                    | 171                                | 5×9           | 0.26                                    | 211                                | 5×9           | 0.34                                    | 414                                | 5×11          | 0.28                                    | 486                                |
| 82                      |               |   |                                    |               |   |                                    |               |   |                                    | 6.3×9         | 0.28                                    | 540                                |
| 100                     | 5×9           | 0.26                                    | 181                                | 5×9           | 0.24                                    | 345                                | 5×9           | 0.34                                    | 443                                | 6.3×9         | 0.28                                    | 550                                |
| 120                     | 5×9           | 0.26                                    | 211                                | 5×9           | 0.24                                    | 345                                | 5×11          | 0.34                                    | 486                                | 6.3×9         | 0.28                                    | 550                                |
| 120                     |               |   |                                    |               |   |                                    | 6.3×9         | 0.28                                    | 486                                |               |   |                                    |
| 150                     | 5×9           | 0.26                                    | 345                                | 5×9           | 0.34                                    | 414                                | 6.3×9         | 0.28                                    | 540                                | 6.3×11        | 0.21                                    | 660                                |
| 150                     |               |   |                                    |               |   |                                    |               |   |                                    | 8×9           | 0.21                                    | 660                                |
| 180                     | 5×9           | 0.26                                    | 345                                | 5×11          | 0.34                                    | 443                                | 6.3×9         | 0.28                                    | 550                                | 8×9           | 0.21                                    | 900                                |
| 180                     |               |   |                                    | 6.3×9         | 0.34                                    | 486                                |               |   |                                    |               |   |                                    |
| 220                     | 5×9           | 0.34                                    | 414                                | 6.3×9         | 0.28                                    | 540                                | 6.3×11        | 0.21                                    | 660                                | 8×9           | 0.15                                    | 945                                |
| 220                     |               |   |                                    |               |   |                                    | 8×9           | 0.21                                    | 660                                |               |   |                                    |
| 270                     | 5×11          | 0.34                                    | 443                                | 6.3×9         | 0.28                                    | 540                                | 8×9           | 0.15                                    | 900                                | 8×11.5        | 0.1200                                  | 1250                               |
| 270                     | 6.3×9         | 0.34                                    | 486                                |               |   |                                    |               |   |                                    | 10×9          | 0.1200                                  | 1250                               |
| 330                     | 6.3×9         | 0.15                                    | 540                                | 6.3×11        | 0.21                                    | 550                                | 8×9           | 0.1500                                  | 945                                | 8×14          | 0.0900                                  | 1330                               |
| 330                     |               |   |                                    | 8×9           | 0.21                                    | 550                                |               |   |                                    | 10×12.5       | 0.0900                                  | 1330                               |
| 390                     | 6.3×9         | 0.15                                    | 540                                | 8×9           | 0.15                                    | 660                                | 8×11.5        | 0.0980                                  | 1250                               | 8×16          | 0.076                                   | 1420                               |
| 390                     |               |   |                                    |               |   |                                    | 10×9          | 0.0980                                  | 1250                               | 10×12.5       | 0.076                                   | 1760                               |
| 470                     | 6.3×11        | 0.15                                    | 545                                | 8×9           | 0.15                                    | 900                                | 8×11.5        | 0.0980                                  | 1330                               | 10×14         | 0.0590                                  | 1850                               |
| 470                     | 8×9           | 0.15                                    | 550                                |               |   |                                    | 10×9          | 0.0980                                  | 1330                               |               |   |                                    |
| 560                     | 6.3×11        | 0.12                                    | 880                                | 8×9           | 0.15                                    | 900                                | 8×14          | 0.0760                                  | 1420                               | 10×14         | 0.0590                                  | 1960                               |
| 560                     | 8×9           | 0.12                                    | 900                                |               |   |                                    | 10×12.5       | 0.0760                                  | 1760                               |               |   |                                    |
| 680                     | 8×9           | 0.12                                    | 900                                | 8×11.5        | 0.0980                                  | 1250                               | 8×16          | 0.0590                                  | 1500                               | 10×16         | 0.0520                                  | 2120                               |
| 680                     |               |   |                                    | 10×9          | 0.0980                                  | 1330                               | 10×12.5       | 0.0590                                  | 1760                               | 12.5×14       | 0.0520                                  | 2120                               |
| 820                     | 8×9           | 0.12                                    | 1180                               | 8×14          | 0.0760                                  | 1420                               | 10×14         | 0.0460                                  | 1850                               | 12.5×14       | 0.0520                                  | 2360                               |
| 820                     |               |   |                                    | 10×12.5       | 0.0760                                  | 1760                               |               |   |                                    |               |   |                                    |
| 1000                    | 8×11.5        | 0.0980                                  | 1250                               | 8×16          | 0.0590                                  | 1500                               | 10×16         | 0.0420                                  | 1960                               | 12.5×16       | 0.0420                                  | 2480                               |
| 1000                    | 10×9          | 0.0980                                  | 1330                               | 10×12.5       | 0.0590                                  | 1850                               | 12.5×14       | 0.0420                                  | 2120                               |               |   |                                    |
| 1200                    | 8×14          | 0.0760                                  | 1420                               | 10×14         | 0.0460                                  | 1850                               | 10×20         | 0.0320                                  | 2120                               | 12.5×20       | 0.0380                                  | 2900                               |
| 1200                    | 10×12.5       | 0.0760                                  | 1760                               |               |   |                                    | 12.5×14       | 0.0320                                  | 2120                               |               |   |                                    |
| 1500                    | 8×16          | 0.0590                                  | 1500                               | 10×16         | 0.0420                                  | 1960                               | 10×20         | 0.0280                                  | 2480                               | 12.5×20       | 0.0380                                  | 2900                               |





# LKM

## ■ 标准品一览表

| 电压(V)                   | 10            |  |                                     | 16            |  |                                     | 25            |  |                                     | 35            |  |                                     |
|-------------------------|---------------|--|-------------------------------------|---------------|--|-------------------------------------|---------------|--|-------------------------------------|---------------|--|-------------------------------------|
| 项目<br>容量<br>( $\mu F$ ) | 尺寸<br>D×L(mm) | 阻抗<br>( $\Omega$ max/100KHz<br>25±2°C) | 纹波电流<br>(mA r.m.s/<br>105°C 100KHz) | 尺寸<br>D×L(mm) | 阻抗<br>( $\Omega$ max/100KHz<br>25±2°C) | 纹波电流<br>(mA r.m.s/<br>105°C 100KHz) | 尺寸<br>D×L(mm) | 阻抗<br>( $\Omega$ max/100KHz<br>25±2°C) | 纹波电流<br>(mA r.m.s/<br>105°C 100KHz) | 尺寸<br>D×L(mm) | 阻抗<br>( $\Omega$ max/100KHz<br>25±2°C) | 纹波电流<br>(mA r.m.s/<br>105°C 100KHz) |
| 1500                    | 10×12.5       | 0.0590                                 | 1760                                | 12.5×14       | 0.0420                                 | 2120                                | 12.5×16       | 0.0280                                 | 2480                                | 16×16         | 0.0380                                 | 3250                                |
| 1800                    | 10×14         | 0.0460                                 | 1850                                | 10×20         | 0.0380                                 | 1960                                | 12.5×16       | 0.0280                                 | 2480                                | 12.5×25       | 0.0350                                 | 3450                                |
| 1800                    |               |  |                                     | 12.5×14       | 0.0420                                 | 2120                                |               |  |                                     | 16×20         | 0.0350                                 | 3630                                |
| 2200                    | 10×16         | 0.0420                                 | 1960                                | 10×20         | 0.0380                                 | 2480                                | 12.5×20       | 0.0270                                 | 2900                                | 12.5×30       | 0.0320                                 | 3630                                |
| 2200                    | 12.5×14       | 0.0420                                 | 2120                                | 12.5×16       | 0.0380                                 | 2480                                | 16×16         | 0.0270                                 | 3250                                | 16×20         | 0.0320                                 | 3630                                |
| 2700                    | 10×20         | 0.0320                                 | 2250                                | 12.5×16       | 0.0380                                 | 2480                                | 12.5×25       | 0.0265                                 | 3450                                | 16×25         | 0.0230                                 | 3890                                |
| 2700                    | 12.5×14       | 0.0320                                 | 2250                                |               |  |                                     | 16×20         | 0.0265                                 | 3630                                | 18×20         | 0.0230                                 | 4010                                |
| 3300                    | 10×23         | 0.0280                                 | 2480                                | 12.5×20       | 0.0280                                 | 2900                                | 12.5×30       | 0.0260                                 | 3630                                | 16×31.5       | 0.0100                                 | 4080                                |
| 3300                    | 12.5×16       | 0.0280                                 | 2480                                |               |  |                                     | 16×20         | 0.0260                                 | 3630                                | 18×25         | 0.0100                                 | 4080                                |
| 3900                    | 12.5×16       | 0.0280                                 | 2900                                | 12.5×25       | 0.0230                                 | 3250                                | 16×25         | 0.0171                                 | 3890                                | 18×25         | 0.0100                                 | 4080                                |
| 3900                    |               |  |                                     | 16×16         | 0.0230                                 | 3450                                | 18×20         | 0.0171                                 | 3650                                |               |  |                                     |
| 4700                    | 12.5×20       | 0.0230                                 | 3250                                | 12.5×25       | 0.0210                                 | 3450                                | 16×25         | 0.0121                                 | 3890                                |               |  |                                     |
| 4700                    | 16×16         | 0.0230                                 | 3450                                | 16×20         | 0.0210                                 | 3630                                | 18×20         | 0.0110                                 | 4010                                |               |  |                                     |

| 电压(V)                   | 50            |  |                                     | 63            |  |                                     | 80            |  |                                     | 100           |  |                                     |
|-------------------------|---------------|--|-------------------------------------|---------------|--|-------------------------------------|---------------|--|-------------------------------------|---------------|--|-------------------------------------|
| 项目<br>容量<br>( $\mu F$ ) | 尺寸<br>D×L(mm) | 阻抗<br>( $\Omega$ max/100KHz<br>25±2°C) | 纹波电流<br>(mA r.m.s/<br>105°C 100KHz) | 尺寸<br>D×L(mm) | 阻抗<br>( $\Omega$ max/100KHz<br>25±2°C) | 纹波电流<br>(mA r.m.s/<br>105°C 100KHz) | 尺寸<br>D×L(mm) | 阻抗<br>( $\Omega$ max/100KHz<br>25±2°C) | 纹波电流<br>(mA r.m.s/<br>105°C 100KHz) | 尺寸<br>D×L(mm) | 阻抗<br>( $\Omega$ max/100KHz<br>25±2°C) | 纹波电流<br>(mA r.m.s/<br>105°C 100KHz) |
| 0.47                    | 5×9           | 5.50                                   | 21                                  | 5×9           | 5.00                                   | 23                                  | 5×9           | 6.05                                   | 24                                  | 5×9           | 6.05                                   | 24                                  |
| 1.0                     | 5×9           | 5.50                                   | 31                                  | 5×9           | 5.00                                   | 35                                  | 5×9           | 6.05                                   | 37                                  | 5×9           | 6.05                                   | 37                                  |
| 1.2                     |               |  |                                     | 5×9           | 5.00                                   | 35                                  | 5×9           | 6.05                                   | 37                                  | 5×9           | 6.05                                   | 37                                  |
| 1.5                     |               |  |                                     | 5×9           | 5.00                                   | 41                                  | 5×9           | 6.05                                   | 43                                  | 5×9           | 6.05                                   | 43                                  |
| 1.8                     | 5×9           | 5.50                                   | 32                                  | 5×9           | 5.00                                   | 41                                  | 5×9           | 6.05                                   | 43                                  | 5×9           | 6.05                                   | 43                                  |
| 2.2                     | 5×9           | 1.50                                   | 39                                  | 5×9           | 1.50                                   | 45                                  | 5×9           | 1.50                                   | 47                                  | 5×9           | 1.60                                   | 47                                  |
| 2.7                     |               |  |                                     | 5×9           | 1.50                                   | 52                                  | 5×9           | 1.50                                   | 55                                  | 5×9           | 1.60                                   | 55                                  |
| 3.3                     | 5×9           | 1.50                                   | 54                                  | 5×9           | 1.50                                   | 59                                  | 5×9           | 1.50                                   | 62                                  | 5×9           | 1.60                                   | 62                                  |
| 3.9                     | 5×9           | 1.50                                   | 54                                  | 5×9           | 1.50                                   | 78                                  | 5×9           | 1.50                                   | 81                                  | 5×9           | 1.60                                   | 81                                  |
| 4.7                     | 5×9           | 1.50                                   | 89                                  | 5×9           | 1.50                                   | 98                                  | 5×9           | 1.50                                   | 101                                 | 5×9           | 1.60                                   | 101                                 |
| 5.6                     | 5×9           | 1.50                                   | 91                                  | 5×9           | 1.50                                   | 100                                 | 5×9           | 1.50                                   | 106                                 | 5×9           | 1.40                                   | 106                                 |
| 6.8                     | 5×9           | 1.50                                   | 94                                  | 5×9           | 1.50                                   | 103                                 | 5×9           | 1.50                                   | 111                                 | 5×9           | 1.40                                   | 111                                 |
| 8.2                     | 5×9           | 1.50                                   | 98                                  | 5×9           | 1.50                                   | 109                                 | 5×9           | 1.50                                   | 121                                 | 5×9           | 1.40                                   | 121                                 |
| 10                      | 5×9           | 1.50                                   | 101                                 | 5×9           | 1.50                                   | 111                                 | 5×9           | 1.40                                   | 150                                 | 5×9           | 0.80                                   | 220                                 |
| 12                      |               |  |                                     | 5×9           | 1.50                                   | 121                                 | 5×9           | 1.40                                   | 163                                 | 5×11          | 0.80                                   | 267                                 |
| 12                      |               |  |                                     |               |  |                                     |               |  |                                     | 6.3×9         | 0.80                                   | 267                                 |
| 15                      | 5×9           | 1.50                                   | 121                                 | 5×9           | 1.50                                   | 150                                 | 5×9           | 1.10                                   | 200                                 | 5×11          | 0.80                                   | 267                                 |
| 15                      |               |  |                                     |               |  |                                     |               |  |                                     | 6.3×9         | 0.80                                   | 267                                 |
| 18                      |               |  |                                     | 5×9           | 1.1                                    | 173                                 | 5×9           | 0.86                                   | 240                                 | 6.3×9         | 0.63                                   | 267                                 |













# LKM

## ■ 标准品一览表

| 电压(V)                   | 120           |   |                                    | 160           |   |                                    | 200           |   |                                    | 250           |   |                                    |
|-------------------------|---------------|---|------------------------------------|---------------|---|------------------------------------|---------------|---|------------------------------------|---------------|---|------------------------------------|
| 项目<br>容量<br>( $\mu F$ ) | 尺寸<br>D×L(mm) | 阻抗<br>( $\Omega_{max}/100kHz$<br>25±2℃) | 纹波电流<br>(mA r.m.s/<br>105℃ 100kHz) | 尺寸<br>D×L(mm) | 阻抗<br>( $\Omega_{max}/100kHz$<br>25±2℃) | 纹波电流<br>(mA r.m.s/<br>105℃ 100kHz) | 尺寸<br>D×L(mm) | 阻抗<br>( $\Omega_{max}/100kHz$<br>25±2℃) | 纹波电流<br>(mA r.m.s/<br>105℃ 100kHz) | 尺寸<br>D×L(mm) | 阻抗<br>( $\Omega_{max}/100kHz$<br>25±2℃) | 纹波电流<br>(mA r.m.s/<br>105℃ 100kHz) |
| 12                      |               |   |                                    | 8×9           | 12.50                                   | 150                                |               |   |                                    |               |   |                                    |
| 15                      | 6.3×11        | 0.80                                    | 267                                | 6.3×12        | 12.50                                   | 140                                | 8×11.5        | 4.90                                    | 256                                | 8×11.5        | 4.90                                    | 270                                |
| 15                      | 8×9           | 0.80                                    | 267                                | 8×9           | 12.50                                   | 150                                | 10×9          | 4.90                                    | 280                                | 10×9          | 4.90                                    | 280                                |
| 18                      | 8×9           | 0.80                                    | 267                                | 8×11.5        | 9.70                                    | 160                                | 8×14          | 3.58                                    | 280                                | 8×14          | 3.58                                    | 280                                |
| 18                      |               |   |                                    | 10×9          | 12.50                                   | 160                                | 10×12.5       | 3.58                                    | 320                                | 10×12.5       | 3.58                                    | 320                                |
| 22                      | 8×9           | 0.80                                    | 290                                | 8×11.5        | 7.90                                    | 160                                | 8×16          | 3.58                                    | 320                                | 8×16          | 3.58                                    | 320                                |
| 22                      |               |   |                                    | 10×9          | 7.90                                    | 250                                | 10×12.5       | 3.58                                    | 320                                | 10×12.5       | 3.58                                    | 320                                |
| 27                      | 8×11.5        | 0.63                                    | 420                                | 8×14          | 7.90                                    | 250                                |               |   |                                    |               |   |                                    |
| 27                      |               |   |                                    | 10×12.5       | 7.90                                    | 250                                |               |   |                                    |               |   |                                    |
| 33                      | 8×11.5        | 0.49                                    | 450                                | 8×16          | 5.90                                    | 350                                | 8×23          | 1.78                                    | 603                                | 8×23          | 1.78                                    | 603                                |
| 33                      | 10×9          | 0.49                                    | 450                                | 10×12.5       | 5.90                                    | 360                                | 10×16         | 1.78                                    | 708                                | 10×16         | 1.78                                    | 708                                |
| 39                      | 8×14          | 0.38                                    | 565                                | 8×20          | 5.55                                    | 580                                |               |   |                                    |               |   |                                    |
| 39                      | 10×12.5       | 0.38                                    | 565                                | 10×14         | 5.55                                    | 635                                |               |   |                                    |               |   |                                    |
| 47                      | 8×16          | 0.28                                    | 585                                | 8×23          | 5.55                                    | 635                                | 10×20         | 1.46                                    | 745                                | 10×20         | 1.46                                    | 850                                |
| 47                      | 10×12.5       | 0.28                                    | 624                                | 10×16         | 5.55                                    | 680                                | 12.5×16       | 1.46                                    | 960                                | 12.5×16       | 1.46                                    | 960                                |
| 56                      | 8×20          | 0.25                                    | 624                                | 10×16         | 5.55                                    | 850                                | 10×23         | 1.46                                    | 960                                | 10×23         | 1.46                                    | 960                                |
| 56                      | 10×14         | 0.25                                    | 624                                | 12.5×14       | 5.55                                    | 850                                | 12.5×16       | 1.46                                    | 960                                | 12.5×16       | 1.46                                    | 960                                |
| 68                      | 8×23          | 0.21                                    | 735                                | 10×20         | 5.55                                    | 850                                | 12.5×20       | 1.35                                    | 1270                               | 12.5×20       | 1.35                                    | 1270                               |
| 68                      | 10×16         | 0.21                                    | 750                                | 12.5×14       | 5.55                                    | 850                                | 16×16         | 1.35                                    | 1270                               | 16×16         | 1.35                                    | 1270                               |
| 82                      | 10×16         | 0.19                                    | 780                                | 10×20         | 4.36                                    | 1020                               | 12.5×20       | 1.35                                    | 1270                               | 12.5×20       | 1.35                                    | 1270                               |
| 82                      | 12.5×14       | 0.19                                    | 900                                | 12.5×16       | 4.36                                    | 1155                               | 16×16         | 1.35                                    | 1270                               | 16×16         | 1.35                                    | 1270                               |
| 100                     | 10×20         | 0.14                                    | 1040                               | 12.5×16       | 4.36                                    | 1155                               | 12.5×20       | 1.35                                    | 1360                               | 12.5×25       | 1.32                                    | 1360                               |
| 100                     | 12.5×16       | 0.14                                    | 1040                               |               |   |                                    | 16×16         | 1.35                                    | 1270                               | 16×20         | 1.32                                    | 1410                               |
| 120                     | 10×23         | 0.12                                    | 1170                               | 12.5×20       | 3.41                                    | 1390                               | 12.5×25       | 1.25                                    | 1360                               | 16×20         | 1.25                                    | 1500                               |
| 120                     | 12.5×16       | 0.12                                    | 1240                               | 16×16         | 3.01                                    | 1420                               | 16×20         | 1.32                                    | 1850                               |               |   |                                    |
| 150                     | 12.5×20       | 0.0930                                  | 1368                               | 12.5×25       | 3.01                                    | 1520                               | 16×20         | 1.20                                    | 1660                               | 16×25         | 1.25                                    | 1800                               |
| 150                     |               |   |                                    | 16×20         | 2.31                                    | 1850                               |               |   |                                    | 18×20         | 1.25                                    | 1920                               |
| 180                     | 12.5×25       | 0.0660                                  | 1530                               | 12.5×30       | 2.31                                    | 1850                               | 16×25         | 0.95                                    | 2020                               | 16×31.5       | 0.95                                    | 2250                               |
| 180                     |               |   |                                    | 16×20         | 2.31                                    | 1850                               | 18×20         | 0.95                                    | 2020                               | 18×25         | 0.95                                    | 2250                               |
| 220                     | 16×20         | 0.0660                                  | 1620                               | 16×25         | 1.88                                    | 2400                               | 18×25         | 0.91                                    | 2380                               | 18×31.5       | 0.91                                    | 2625                               |
| 220                     |               |   |                                    | 18×20         | 1.88                                    | 2320                               |               |   |                                    |               |   |                                    |
| 270                     | 12.5×30       | 0.0560                                  | 1750                               | 16×31.5       | 1.80                                    | 2715                               |               |   |                                    |               |   |                                    |
| 270                     | 16×20         | 0.0640                                  | 1750                               | 18×25         | 0.98                                    | 2660                               |               |   |                                    |               |   |                                    |
| 330                     | 16×25         | 0.0470                                  | 2140                               | 18×25         | 0.98                                    | 2660                               |               |   |                                    |               |   |                                    |
| 330                     | 18×20         | 0.0480                                  | 2140                               |               |   |                                    |               |   |                                    |               |   |                                    |
| 390                     | 16×31.5       | 0.0400                                  | 2210                               | 18×31.5       | 0.91                                    | 2715                               |               |   |                                    |               |   |                                    |
| 390                     | 18×25         | 0.0400                                  | 2210                               |               |   |                                    |               |   |                                    |               |   |                                    |
| 470                     | 16×31.5       | 0.0400                                  | 2270                               |               |   |                                    |               |   |                                    |               |   |                                    |
| 470                     | 18×25         | 0.0400                                  | 2270                               |               |   |                                    |               |   |                                    |               |   |                                    |





# LKM

## ■ 标准品一览表

| 电压(V)                   | 120           |  |                                     | 160           |  |                                     | 200           |  |                                     | 250           |  |                                     |
|-------------------------|---------------|--|-------------------------------------|---------------|--|-------------------------------------|---------------|--|-------------------------------------|---------------|--|-------------------------------------|
| 项目<br>容量<br>( $\mu F$ ) | 尺寸<br>D×L(mm) | 阻抗<br>( $\Omega$ max/100KHz<br>25±2°C) | 纹波电流<br>(mA r.m.s/<br>105°C 100KHz) | 尺寸<br>D×L(mm) | 阻抗<br>( $\Omega$ max/100KHz<br>25±2°C) | 纹波电流<br>(mA r.m.s/<br>105°C 100KHz) | 尺寸<br>D×L(mm) | 阻抗<br>( $\Omega$ max/100KHz<br>25±2°C) | 纹波电流<br>(mA r.m.s/<br>105°C 100KHz) | 尺寸<br>D×L(mm) | 阻抗<br>( $\Omega$ max/100KHz<br>25±2°C) | 纹波电流<br>(mA r.m.s/<br>105°C 100KHz) |
| 560                     | 16×35.5       | 0.0320                                 | 2600                                |               |  |                                     |               |  |                                     |               |  |                                     |
| 560                     | 18×31.5       | 0.0320                                 | 2600                                |               |  |                                     |               |  |                                     |               |  |                                     |
| 680                     | 18×35.5       | 0.0300                                 | 2860                                |               |  |                                     |               |  |                                     |               |  |                                     |

| 电压(V)                   | 350           |  |                                     | 400           |  |                                     | 450           |  |                                     | 500           |  |                                     |
|-------------------------|---------------|--|-------------------------------------|---------------|--|-------------------------------------|---------------|--|-------------------------------------|---------------|--|-------------------------------------|
| 项目<br>容量<br>( $\mu F$ ) | 尺寸<br>D×L(mm) | 阻抗<br>( $\Omega$ max/100KHz<br>25±2°C) | 纹波电流<br>(mA r.m.s/<br>105°C 100KHz) | 尺寸<br>D×L(mm) | 阻抗<br>( $\Omega$ max/100KHz<br>25±2°C) | 纹波电流<br>(mA r.m.s/<br>105°C 100KHz) | 尺寸<br>D×L(mm) | 阻抗<br>( $\Omega$ max/100KHz<br>25±2°C) | 纹波电流<br>(mA r.m.s/<br>105°C 100KHz) | 尺寸<br>D×L(mm) | 阻抗<br>( $\Omega$ max/100KHz<br>25±2°C) | 纹波电流<br>(mA r.m.s/<br>105°C 100KHz) |
| 1.0                     | 5×9           | 55.00                                  | 73                                  | 5×9           | 55.00                                  | 73                                  | 5×9           | 55.00                                  | 73                                  | 6.3×9         | 52.00                                  | 45                                  |
| 1.2                     | 5×9           | 36.00                                  | 90                                  | 5×9           | 36.00                                  | 76                                  | 5×9           | 52.00                                  | 78                                  | 6.3×9         | 52.00                                  | 45                                  |
| 1.5                     | 5×9           | 36.00                                  | 90                                  | 5×9           | 36.00                                  | 76                                  | 5×11          | 52.00                                  | 81                                  | 6.3×9         | 52.00                                  | 45                                  |
| 1.5                     |               |  |                                     |               |  |                                     | 6.3×9         | 52.00                                  | 90                                  |               |  |                                     |
| 1.8                     | 5×9           | 36.00                                  | 95                                  | 5×9           | 36.00                                  | 87                                  | 6.3×9         | 52.00                                  | 95                                  | 8×9           | 45.00                                  | 80                                  |
| 2.2                     | 5×11          | 36.00                                  | 104                                 | 6.3×9         | 29.00                                  | 105                                 | 6.3×9         | 42.00                                  | 100                                 | 8×9           | 45.00                                  | 80                                  |
| 2.2                     | 6.3×9         | 36.00                                  | 125                                 |               |  |                                     |               |  |                                     |               |  |                                     |
| 2.7                     | 6.3×9         | 26.00                                  | 125                                 | 6.3×9         | 26.00                                  | 125                                 | 6.3×9         | 42.00                                  | 100                                 | 8×11.5        | 18.50                                  | 85                                  |
| 3.3                     | 6.3×9         | 23.00                                  | 131                                 | 6.3×9         | 25.00                                  | 131                                 | 6.3×12        | 25.00                                  | 120                                 | 8×11.5        | 18.50                                  | 85                                  |
| 3.3                     |               |  |                                     |               |  |                                     | 8×9           | 25.00                                  | 120                                 |               |  |                                     |
| 3.9                     | 6.3×11        | 17.00                                  | 131                                 | 6.3×11        | 25.00                                  | 140                                 | 8×9           | 25.00                                  | 135                                 | 8×14          | 13.00                                  | 85                                  |
| 3.9                     | 8×9           | 17.00                                  | 131                                 | 8×9           | 23.50                                  | 140                                 |               |  |                                     |               |  |                                     |
| 4.7                     | 6.3×11        | 17.00                                  | 140                                 | 6.3×12        | 23.50                                  | 140                                 | 8×11.5        | 18.50                                  | 135                                 | 8×16          | 13.00                                  | 130                                 |
| 4.7                     | 8×9           | 17.00                                  | 140                                 | 8×9           | 23.50                                  | 140                                 | 10×9          | 18.50                                  | 135                                 |               |  |                                     |
| 5.6                     | 8×9           | 17.00                                  | 140                                 | 8×11.5        | 15.00                                  | 200                                 | 8×14          | 15.00                                  | 140                                 | 10×14         | 13.00                                  | 130                                 |
| 5.6                     |               |  |                                     | 10×9          | 15.00                                  | 220                                 | 10×9          | 13.50                                  | 140                                 |               |  |                                     |
| 6.8                     | 8×11.5        | 15.00                                  | 200                                 | 8×11.5        | 15.00                                  | 210                                 | 8×16          | 8.05                                   | 220                                 | 10×14         | 13.00                                  | 130                                 |
| 6.8                     | 10×9          | 17.00                                  | 210                                 | 10×9          | 15.00                                  | 250                                 | 10×12.5       | 12.00                                  | 200                                 |               |  |                                     |
| 8.2                     | 8×14          | 11.25                                  | 220                                 | 8×14          | 11.00                                  | 250                                 | 8×16          | 8.05                                   | 220                                 | 10×14         | 11.00                                  | 240                                 |
| 8.2                     | 10×9          | 15.00                                  | 250                                 | 10×9          | 11.00                                  | 270                                 | 10×12.5       | 12.00                                  | 200                                 |               |  |                                     |
| 10                      | 8×14          | 8.05                                   | 250                                 | 8×16          | 8.05                                   | 270                                 | 8×20          | 8.05                                   | 260                                 | 8×23          | 11.00                                  | 240                                 |
| 10                      | 10×12.5       | 11.00                                  | 270                                 | 10×12.5       | 11.00                                  | 270                                 | 10×14         | 8.05                                   | 350                                 | 10×16         | 10.00                                  | 260                                 |
| 12                      | 8×20          | 9.00                                   | 360                                 | 10×14         | 9.00                                   | 340                                 | 10×16         | 7.90                                   | 370                                 | 12.5×14       | 9.50                                   | 265                                 |
| 15                      | 8×20          | 6.50                                   | 360                                 | 10×14         | 8.50                                   | 340                                 | 10×16         | 7.70                                   | 370                                 | 12.5×16       | 8.00                                   | 270                                 |
| 15                      | 10×14         | 6.50                                   | 460                                 |               |  |                                     | 12.5×14       | 7.70                                   | 370                                 |               |  |                                     |
| 18                      | 10×16         | 6.50                                   | 480                                 | 10×16         | 6.50                                   | 360                                 | 12.5×16       | 6.70                                   | 410                                 | 12.5×16       | 7.00                                   | 470                                 |
| 18                      | 12.5×14       | 6.50                                   | 585                                 | 12.5×14       | 6.50                                   | 360                                 |               |  |                                     |               |  |                                     |
| 22                      | 10×20         | 6.50                                   | 585                                 | 10×20         | 6.50                                   | 570                                 | 12.5×16       | 6.70                                   | 450                                 | 12.5×20       | 7.00                                   | 470                                 |
| 22                      | 12.5×14       | 6.50                                   | 585                                 | 12.5×16       | 6.50                                   | 570                                 |               |  |                                     |               |  |                                     |



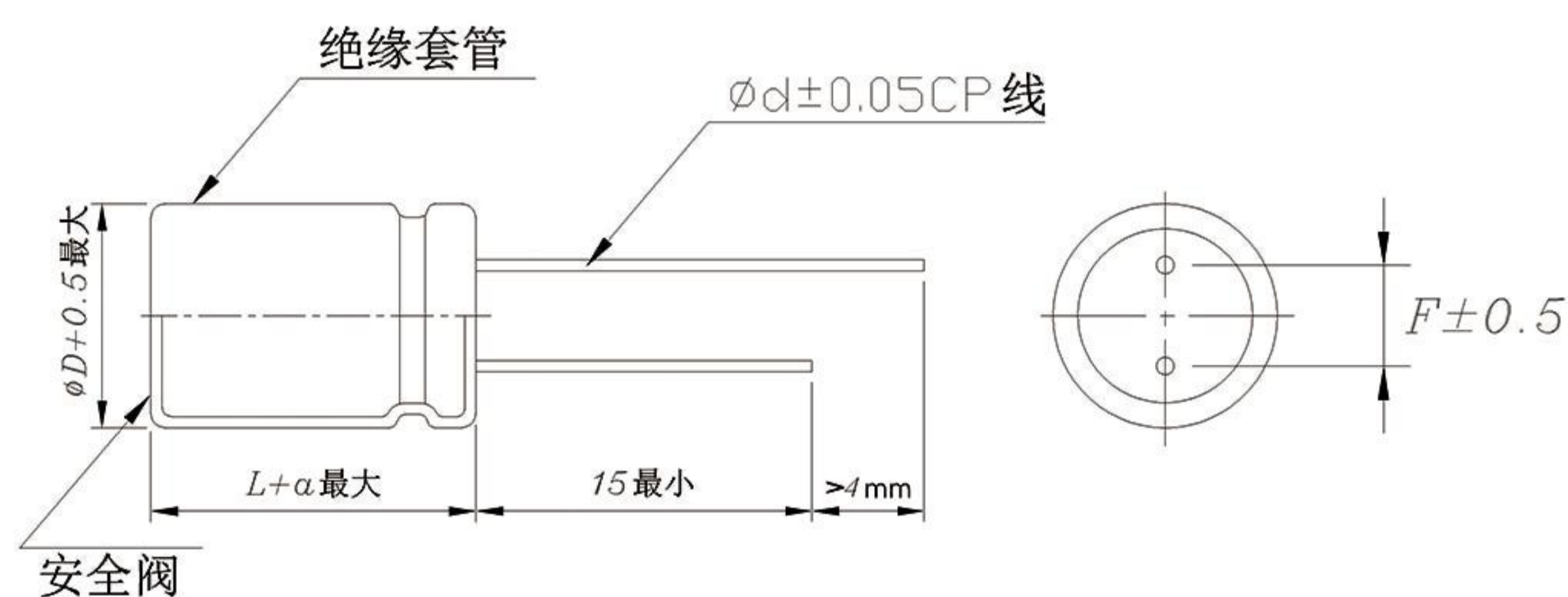


## LKM

### ■ 标准品一览表

| 电压(V)                   | 350           |  |                                     | 400           |  |                                     | 450           |  |                                     | 500           |  |                                     |
|-------------------------|---------------|--|-------------------------------------|---------------|--|-------------------------------------|---------------|--|-------------------------------------|---------------|--|-------------------------------------|
| 项目<br>容量<br>( $\mu F$ ) | 尺寸<br>D×L(mm) | 阻抗<br>( $\Omega$ max/100kHz<br>25±2°C) | 纹波电流<br>(mA r.m.s/<br>105°C 100kHz) | 尺寸<br>D×L(mm) | 阻抗<br>( $\Omega$ max/100kHz<br>25±2°C) | 纹波电流<br>(mA r.m.s/<br>105°C 100kHz) | 尺寸<br>D×L(mm) | 阻抗<br>( $\Omega$ max/100kHz<br>25±2°C) | 纹波电流<br>(mA r.m.s/<br>105°C 100kHz) | 尺寸<br>D×L(mm) | 阻抗<br>( $\Omega$ max/100kHz<br>25±2°C) | 纹波电流<br>(mA r.m.s/<br>105°C 100kHz) |
| 33                      | 12.5×16       | 6.50                                   | 960                                 | 12.5×20       | 3.25                                   | 850                                 | 12.5×20       | 3.05                                   | 710                                 | 12.5×25       | 5.50                                   | 700                                 |
| 33                      |               |  |                                     | 16×16         | 3.25                                   | 900                                 | 16×16         | 3.05                                   | 740                                 | 16×20         | 3.50                                   | 700                                 |
| 47                      | 12.5×20       | 2.25                                   | 1115                                | 12.5×25       | 2.25                                   | 1100                                | 12.5×30       | 1.60                                   | 1215                                | 16×25         | 2.50                                   | 720                                 |
| 47                      | 16×16         | 2.25                                   | 1060                                | 16×20         | 2.25                                   | 1155                                | 16×20         | 1.60                                   | 1215                                |               |  |                                     |
| 56                      | 12.5×25       | 2.25                                   | 1115                                | 12.5×25       | 2.25                                   | 1155                                | 16×25         | 1.60                                   | 1215                                | 16×31.5       | 2.30                                   | 840                                 |
| 56                      | 16×20         | 2.25                                   | 1155                                | 16×20         | 2.25                                   | 1400                                | 18×20         | 1.60                                   | 1300                                | 18×25         | 2.30                                   | 840                                 |
| 68                      | 12.5×30       | 2.25                                   | 1115                                | 16×25         | 1.60                                   | 1460                                | 16×31.5       | 1.60                                   | 1215                                | 18×25         | 2.30                                   | 840                                 |
| 68                      | 16×20         | 2.25                                   | 1400                                | 18×20         | 1.60                                   | 1530                                | 18×25         | 1.60                                   | 1215                                |               |  |                                     |
| 82                      | 16×25         | 1.60                                   | 1550                                | 16×31.5       | 1.60                                   | 1740                                | 16×35.5       | 1.35                                   | 1675                                | 18×31.5       | 1.80                                   | 1100                                |
| 82                      | 18×20         | 1.60                                   | 1530                                | 18×25         | 1.60                                   | 1740                                | 18×25         | 1.45                                   | 1700                                |               |  |                                     |
| 100                     | 16×25         | 1.60                                   | 2230                                | 18×25         | 1.60                                   | 1740                                | 18×31.5       | 1.35                                   | 1800                                | 18×35.5       | 1.50                                   | 1150                                |
| 120                     | 18×25         | 1.60                                   | 2305                                | 18×31.5       | 1.50                                   | 2305                                | 18×35.5       | 1.25                                   | 1930                                | 18×40         | 1.40                                   | 1200                                |
| 150                     | 18×31.5       | 1.50                                   | 2720                                | 18×35.5       | 1.50                                   | 3330                                | 18×40         | 1.15                                   | 2350                                |               |  |                                     |

### ■ 产品尺寸图 (单位: mm)



备注:  $\geq \phi 6.3$  产品有安全阀

|      |       |
|------|-------|
| L=9  | a=1.0 |
| L≤16 | a=1.5 |
| L>16 | a=2.0 |

|   |     |     |     |     |      |     |     |
|---|-----|-----|-----|-----|------|-----|-----|
| D | 5   | 6.3 | 8   | 10  | 12.5 | 16  | 18  |
| d | 0.5 | 0.5 | 0.6 | 0.6 | 0.6  | 0.8 | 0.8 |
| F | 2.0 | 2.5 | 3.5 | 5.0 | 5.0  | 7.5 | 7.5 |

### ■ 纹波电流补偿系数

#### ① 频率修正系数

|      |      |      |      |         |      |
|------|------|------|------|---------|------|
| 频率   | 50   | 120  | 1K   | 10K~50K | 100K |
| 修正因子 | 0.40 | 0.50 | 0.80 | 0.90    | 1.00 |

#### ② 温度修正系数

|          |      |      |      |       |
|----------|------|------|------|-------|
| 环境温度(°C) | 50°C | 70°C | 85°C | 105°C |
| 修正因子     | 2.1  | 1.8  | 1.4  | 1.0   |



## X-ON Electronics

Largest Supplier of Electrical and Electronic Components

*Click to view similar products for [Aluminium Electrolytic Capacitors - Radial Leaded](#) category:*

*Click to view products by [Ymin](#) manufacturer:*

Other Similar products are found below :

[NRELS102M35V16X16C.140LLF](#) [ESRG160ETC100MD07D](#) [227RZS050M](#) [335CKR250M](#) [476CKH100MSA](#) [477CKR100M](#)  
[107CKR010M](#) [107CKH063MSA](#) [RJH-25V222MI9#](#) [RJH-35V221MG5#](#) [B43827A1106M8](#) [RJH-50V221MH6#](#) [EKYA500ELL470MF11D](#)  
[B41022A5686M6](#) [ESRG250ELL101MH09D](#) [EKMA160EC3101MF07D](#) [RJB-10V471MG3#](#) [ESMG160ETD221MF11D](#)  
[EKZH160ETD152MJ20S](#) [RJH-35V122MJ6#](#) [EGXF630ELL621ML20S](#) [RBD-25V100KE3#N](#) [EKMA350ELL100ME07D](#)  
[ESMG160ETD101ME11D](#) [ELXY100ETD102MJ20S](#) [EGXF500ELL561ML15S](#) [EKMG350ETD471MJ16S](#) [35YXA330MEFC10X12.5](#)  
[RXW471M1ESA-0815](#) [ELXZ630ELL221MJ25S](#) [ERR1HM1R0D11OT](#) [LPE681M30060FVA](#) [LPL471M22030FVA](#) [HFE221M25030FVA](#)  
[LKMD1401H221MF](#) [B41888G6108M000](#) [EKMA160ETD470MF07D](#) [UHW1J102MHD6](#) [EKMG500ETD221MJC5S](#) [LKMK2502W101MF](#)  
[LKMD1401H181MF](#) [LKMI2502G820MF](#) [LKMJ2001J122MF](#) [LKML2501C472MF](#) [LKMJ4002C681MF](#) [450MXH330MEFCSN25X45](#)  
[450MXK330MA2RFC22X50](#) [63ZLH560MEFCG412.5X30](#) [ELH2DM331O25KT](#) [ELH2DM471P30KT](#)