



VK7

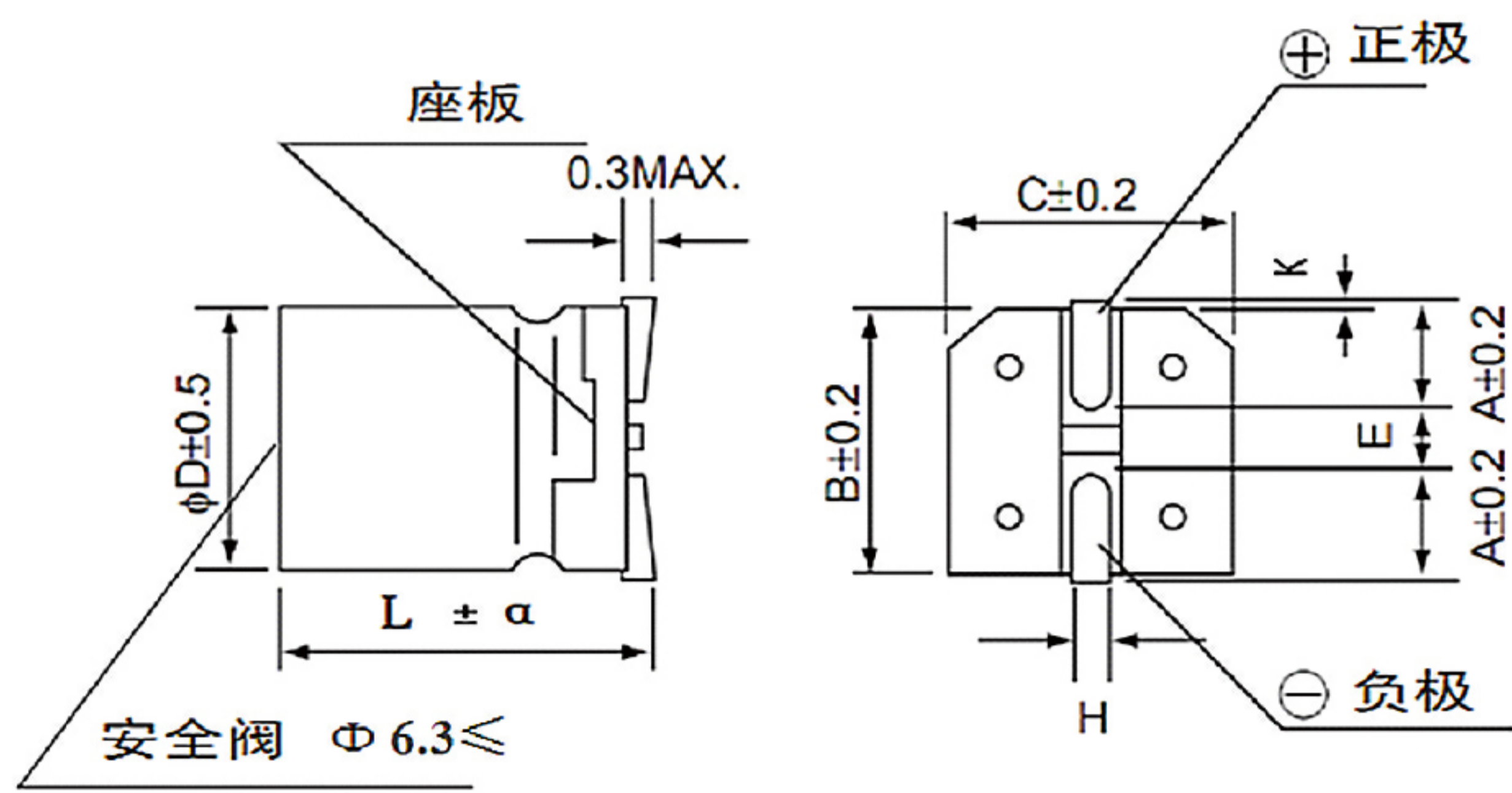
- ◆ 7mm高 超小型 高端电源专用
- ◆ 105℃环境下4000小时~6000小时
- ◆ 符合AEC-Q200 RoHS指令对应
- ◆ 适用于高密度 全自动表面贴装 高温回流焊对应



■ 主要技术参数

| 项目 | 特性 | | | | | | | |
|---|---|-------------|------|------|------|------|--------|--------|
| 使用温度范围 | ≤100V.DC -55℃~+105℃ ; 160~400V.DC -40℃~+105℃ | | | | | | | |
| 标称电压范围 | 6.3~400V.DC | | | | | | | |
| 容量允许偏差 | ±20% (25±2℃ 120Hz) | | | | | | | |
| 漏电流(μA) | 6.3~100WV I≤0.01CV or 3μA取大者 C:标称容量(μF) V:额定电压(V) 2分钟读数 | | | | | | | |
| | 160~400WV I≤0.02CV+10(μA) C:标称容量(μF) V:额定电压(V) 2分钟读数 | | | | | | | |
| 损耗角正切值 (25±2℃ 120Hz) | 额定电压(V) | 6.3 | 10 | 16 | 25 | 35 | 50 | 63 |
| | tg δ | 0.32 | 0.28 | 0.24 | 0.20 | 0.16 | 0.14 | 0.14 |
| | 额定电压(V) | 80 | 100 | 160 | 200 | 250 | 350 | 400 |
| | tg δ | 0.12 | 0.12 | 0.15 | 0.15 | 0.15 | 0.15 | 0.15 |
| 标称容量超过1000μF者, 则每增加1000μF, 损耗角正切值增加0.02 | | | | | | | | |
| 温度特性 (120Hz) | 额定电压(V) | 6.3 | 10 | 16 | 25 | 35 | 50 | 63 |
| | 阻抗比Z(-40℃)/Z(20℃) | 14 | 12 | 8 | 6 | 4 | 4 | 4 |
| | 额定电压(V) | 80 | 100 | 160 | 200 | 250 | 350 | 400 |
| | 阻抗比Z(-40℃)/Z(20℃) | 4 | 4 | 5 | 5 | 5 | 7 | 7 |
| 耐久性 | 在105℃烘箱中,施加含额定纹波电流的额定电压,持续规定时间后,置于常温16小时后测试,测试温度25±2℃,电容器的性能应满足如下要求 | | | | | | | |
| | 容量变化率 | 在初始值的±30%以内 | | | | | | |
| | 损耗角正切值 | 在规定值的300%以下 | | | | | | |
| | 漏电流 | 在规定值以下 | | | | | | |
| | 负荷寿命 | φ5 | | | | | | 4000小时 |
| | φ6.3 | | | | | | 5000小时 | |
| | φ8、φ10 | | | | | | 6000小时 | |
| 高温储存 | 在105℃下,储存1000小时,置于常温16小时后测试,测试温度:25±2℃,电容器的性能应满足如下要求 | | | | | | | |
| | 容量变化率 | 在初始值的±30%以内 | | | | | | |
| | 损耗角正切值 | 在规定值的300%以下 | | | | | | |
| | 漏电流 | 在规定值的200%以下 | | | | | | |

■ 产品尺寸图 (单位: mm)



| ϕD | L | B | C | A | H | E | K | α |
|----------|-----|------|------|-----|----------------|-----|--------|-----------|
| 5 | 7.9 | 5.3 | 5.3 | 2.2 | 0.75 ± 0.1 | 1.5 | 0.7MAX | ± 0.3 |
| 6.3 | 7.7 | 6.6 | 6.6 | 2.6 | 0.75 ± 0.1 | 1.8 | 0.7MAX | ± 0.3 |
| 8 | 7.9 | 8.3 | 8.3 | 3.4 | 0.90 ± 0.2 | 3.1 | 0.7MAX | ± 0.3 |
| 10 | 8.4 | 10.3 | 10.3 | 3.5 | 0.90 ± 0.2 | 4.6 | 0.7MAX | ± 0.3 |

■ 频率修正因子

| 频率 (Hz) | 50 | 120 | 1K | $\geq 10K$ |
|---------|------|------|------|------------|
| 系数 | 0.65 | 1.00 | 1.37 | 1.50 |



VK7

■ 标准品一览表

| 电压(V) | 6.3 | | 10 | | 16 | | 25 | | 35 | | 50 | |
|------------------------|---------------|------------------------------------|---------------|------------------------------------|---------------|------------------------------------|---------------|------------------------------------|---------------|------------------------------------|---------------|------------------------------------|
| 项目 容量 (μ F) | 尺寸 D×L(mm) | 纹波电流 (mA r.m.s/ 105°C 120Hz) | 尺寸 D×L(mm) | 纹波电流 (mA r.m.s/ 105°C 120Hz) | 尺寸 D×L(mm) | 纹波电流 (mA r.m.s/ 105°C 120Hz) | 尺寸 D×L(mm) | 纹波电流 (mA r.m.s/ 105°C 120Hz) | 尺寸 D×L(mm) | 纹波电流 (mA r.m.s/ 105°C 120Hz) | 尺寸 D×L(mm) | 纹波电流 (mA r.m.s/ 105°C 120Hz) |
| 2.2 | | | | | | | | | | | 5×7.9 | 31 |
| 2.7 | | | | | | | | | | | 5×7.9 | 31 |
| 3.3 | | | | | | | | | | | 5×7.9 | 31 |
| 3.9 | | | | | | | | | | | 5×7.9 | 31 |
| 4.7 | | | | | | | 5×7.9 | 50 | 5×7.9 | 50 | 5×7.9 | 31 |
| 5.6 | | | | | | | 5×7.9 | 50 | 5×7.9 | 50 | 5×7.9 | 31 |
| 6.8 | | | | | | | 5×7.9 | 55 | 5×7.9 | 50 | 5×7.9 | 31 |
| 8.2 | | | | | | | 5×7.9 | 55 | 5×7.9 | 50 | 5×7.9 | 31 |
| 10 | 5×7.9 | 55 | 5×7.9 | 55 | 5×7.9 | 55 | 5×7.9 | 60 | 5×7.9 | 50 | 5×7.9 | 31 |
| 12 | 5×7.9 | 55 | 5×7.9 | 55 | 5×7.9 | 55 | 5×7.9 | 60 | 5×7.9 | 60 | 5×7.9 | 37 |
| 15 | 5×7.9 | 60 | 5×7.9 | 60 | 5×7.9 | 60 | 5×7.9 | 60 | 5×7.9 | 60 | 5×7.9 | 44 |
| 18 | 5×7.9 | 60 | 5×7.9 | 60 | 5×7.9 | 60 | 5×7.9 | 60 | 5×7.9 | 60 | 6.3×7.7 | 55 |
| 22 | 5×7.9 | 60 | 5×7.9 | 70 | 5×7.9 | 70 | 5×7.9 | 60 | 5×7.9 | 70 | 6.3×7.7 | 65 |
| 27 | 5×7.9 | 70 | 5×7.9 | 70 | 5×7.9 | 70 | 5×7.9 | 70 | 6.3×7.7 | 80 | 6.3×7.7 | 78 |
| 33 | 5×7.9 | 80 | 5×7.9 | 80 | 5×7.9 | 80 | 5×7.9 | 85 | 6.3×7.7 | 90 | 8×7.9 | 85 |
| 39 | 5×7.9 | 80 | 5×7.9 | 80 | 5×7.9 | 80 | 5×7.9 | 85 | 6.3×7.7 | 98 | 8×7.9 | 100 |
| 47 | 5×7.9 | 90 | 5×7.9 | 90 | 5×7.9 | 90 | 5×7.9 | 90 | 6.3×7.7 | 105 | 8×7.9 | 120 |
| 56 | 5×7.9 | 90 | 5×7.9 | 90 | 5×7.9 | 90 | 6.3×7.7 | 98 | 8×7.9 | 115 | 8×7.9 | 125 |
| 68 | 5×7.9 | 90 | 5×7.9 | 90 | 5×7.9 | 90 | 6.3×7.7 | 105 | 8×7.9 | 125 | 10×8.4 | 140 |
| 82 | 5×7.9 | 100 | 5×7.9 | 98 | 6.3×7.7 | 105 | 6.3×7.7 | 115 | 8×7.9 | 140 | 10×8.4 | 160 |
| 100 | 5×7.9 | 105 | 6.3×7.7 | 115 | 6.3×7.7 | 115 | 8×7.9 | 125 | 8×7.9 | 170 | 10×8.4 | 180 |
| 120 | 5×7.9 | 110 | 6.3×7.7 | 115 | 6.3×7.7 | 128 | 8×7.9 | 140 | 10×8.4 | 180 | | |
| 150 | 6.3×7.7 | 115 | 6.3×7.7 | 135 | 8×7.9 | 140 | 8×7.9 | 170 | 10×8.4 | 210 | | |
| 180 | 6.3×7.7 | 135 | 8×7.9 | 160 | 8×7.9 | 170 | 10×8.4 | 190 | | | | |
| 220 | 6.3×7.7 | 160 | 8×7.9 | 170 | 8×7.9 | 190 | 10×8.4 | 220 | | | | |
| 270 | 8×7.9 | 170 | 8×7.9 | 190 | 10×8.4 | 220 | | | | | | |
| 330 | 8×7.9 | 180 | 10×8.4 | 220 | 10×8.4 | 240 | | | | | | |
| 390 | 8×7.9 | 190 | 10×8.4 | 240 | 10×8.4 | 260 | | | | | | |
| 470 | 8×7.9 | 200 | 10×8.4 | 260 | | | | | | | | |
| 560 | 10×8.4 | 240 | | | | | | | | | | |
| 680 | 10×8.4 | 280 | | | | | | | | | | |



VK7

■ 标准品一览表

| 电压(V) | 63 | | 80 | | 100 | | 160 | | 200 | | 250 | |
|-------------------------|---------------|------------------------------------|---------------|------------------------------------|---------------|------------------------------------|---------------|------------------------------------|---------------|------------------------------------|---------------|------------------------------------|
| 项目 容量 (μF) | 尺寸 D×L(mm) | 纹波电流 (mA r.m.s/ 105°C 120Hz) | 尺寸 D×L(mm) | 纹波电流 (mA r.m.s/ 105°C 120Hz) | 尺寸 D×L(mm) | 纹波电流 (mA r.m.s/ 105°C 120Hz) | 尺寸 D×L(mm) | 纹波电流 (mA r.m.s/ 105°C 120Hz) | 尺寸 D×L(mm) | 纹波电流 (mA r.m.s/ 105°C 120Hz) | 尺寸 D×L(mm) | 纹波电流 (mA r.m.s/ 105°C 120Hz) |
| 1.0 | | | | | | | | | 5×7.9 | 20 | 5×7.9 | 20 |
| 1.2 | | | | | | | | | 5×7.9 | 20 | 5×7.9 | 20 |
| 1.5 | | | | | | | | | 5×7.9 | 22 | 5×7.9 | 22 |
| 1.8 | | | | | | | | | 5×7.9 | 22 | 5×7.9 | 22 |
| 2.2 | 5×7.9 | 30 | 5×7.9 | 30 | 5×7.9 | 28 | 5×7.9 | 20 | 6.3×7.7 | 25 | 6.3×7.7 | 25 |
| 2.7 | 5×7.9 | 30 | 5×7.9 | 30 | 5×7.9 | 28 | 5×7.9 | 20 | 6.3×7.7 | 35 | 6.3×7.7 | 35 |
| 3.3 | 5×7.9 | 30 | 5×7.9 | 30 | 5×7.9 | 28 | 6.3×7.7 | 22 | 6.3×7.7 | 40 | 6.3×7.7 | 40 |
| 3.9 | 5×7.9 | 30 | 5×7.9 | 30 | 5×7.9 | 28 | 6.3×7.7 | 22 | 8×7.9 | 50 | 8×7.9 | 50 |
| 4.7 | 5×7.9 | 30 | 5×7.9 | 30 | 5×7.9 | 28 | 6.3×7.7 | 22 | 8×7.9 | 55 | 8×7.9 | 55 |
| 5.6 | 5×7.9 | 30 | 5×7.9 | 30 | 5×7.9 | 28 | 8×7.9 | 50 | 8×7.9 | 65 | 8×7.9 | 65 |
| 6.8 | 5×7.9 | 30 | 5×7.9 | 30 | 6.3×7.7 | 30 | 8×7.9 | 55 | 8×7.9 | 72 | 10×8.4 | 80 |
| 8.2 | 5×7.9 | 30 | 5×7.9 | 30 | 6.3×7.7 | 40 | 8×7.9 | 60 | 10×8.4 | 95 | 10×8.4 | 95 |
| 10 | 5×7.9 | 30 | 6.3×7.7 | 50 | 6.3×7.7 | 50 | 8×7.9 | 65 | 10×8.4 | 108 | 10×8.4 | 108 |
| 12 | 6.3×7.7 | 50 | 6.3×7.7 | 55 | 8×7.9 | 75 | 10×8.4 | 95 | | | | |
| 15 | 6.3×7.7 | 56 | 6.3×7.7 | 70 | 8×7.9 | 85 | 10×8.4 | 115 | | | | |
| 18 | 6.3×7.7 | 70 | 6.3×7.7 | 75 | 8×7.9 | 100 | | | | | | |
| 22 | 8×7.9 | 75 | 8×7.9 | 85 | 8×7.9 | 120 | | | | | | |
| 27 | 8×7.9 | 85 | 8×7.9 | 100 | 10×8.4 | 130 | | | | | | |
| 33 | 8×7.9 | 100 | 8×7.9 | 120 | 10×8.4 | 150 | | | | | | |
| 39 | 8×7.9 | 120 | 10×8.4 | 130 | | | | | | | | |
| 47 | 10×8.4 | 130 | 10×8.4 | 150 | | | | | | | | |
| 56 | 10×8.4 | 150 | 10×8.4 | 160 | | | | | | | | |
| 68 | 10×8.4 | 160 | | | | | | | | | | |

| 电压(V) | 350 | | 400 | |
|-------------------------|---------------|------------------------------------|---------------|------------------------------------|
| 项目 容量 (μF) | 尺寸 D×L(mm) | 纹波电流 (mA r.m.s/ 105°C 120Hz) | 尺寸 D×L(mm) | 纹波电流 (mA r.m.s/ 105°C 120Hz) |
| 1.0 | 6.3×7.7 | 25 | 6.3×7.7 | 25 |
| 1.2 | 6.3×7.7 | 30 | 6.3×7.7 | 30 |
| 1.5 | 6.3×7.7 | 35 | 6.3×7.7 | 35 |
| 1.8 | 6.3×7.7 | 40 | 6.3×7.7 | 40 |
| 2.2 | 8×7.9 | 50 | 8×7.9 | 50 |
| 2.7 | 8×7.9 | 55 | 8×7.9 | 55 |
| 3.3 | 8×7.9 | 70 | 8×7.9 | 70 |
| 3.9 | 10×8.4 | 80 | 10×8.4 | 80 |
| 4.7 | 10×8.4 | 95 | 10×8.4 | 95 |
| 5.6 | 10×8.4 | 108 | | |

X-ON Electronics

Largest Supplier of Electrical and Electronic Components

Click to view similar products for [Aluminum Electrolytic Capacitors - SMD category](#):

Click to view products by [Ymin manufacturer](#):

Other Similar products are found below :

[EEV-FK1E332W](#) [ULV2H4R7MNL1GS](#) [ULV2H1R8MNL1GS](#) [22927](#) [NRWA331M63V12.5X20TBF](#) [HUB1800-S](#) [UCX1V471MNQ1MS](#)
[RJ4-400V100MI5#-T4](#) [UCX1V681MNQ1MS](#) [RYK-50V101MG5TT-FL](#) [UCX1V681MNS1MS](#) [UCX1V221MCS1GS](#) [UCX1V101MCS1GS](#)
[107AXZ016MQ5](#) [EXV107M025A9HAA](#) [UCD1V100MCQ1GS](#) [UCX1H471MNQ1MS](#) [107SML016M](#) [EDK226M035A9DAA](#)
[EDT476M050S9MAA](#) [EEV-HA0J152P](#) [EEV-HA1A471UP](#) [EEV-HA1C220WR](#) [EEV-HA1C471P](#) [EEV-HA1E331UP](#) [EEV-HA1H3R3R](#)
[EEV-HA1H470UP](#) [EEV-HA1HR47R](#) [EEV-HA1V470UP](#) [EEV-HB0G221P](#) [EEV-HB0J330R](#) [EEV-HB1E220P](#) [UCX1H821MNQ1MS](#)
[UCX1H561MNS1MS](#) [UCX1H471MNS1MS](#) [UCX1H102MNQ1MS](#) [UCX1E332MNS1MS](#) [HZA277M035G24T-F](#) [TYEH1V337H10MTR](#)
[EDT107M035S9MAA](#) [BMVK100ADA330MF60G](#) [BMVK160ADA4R7MD60G](#) [NACK222M10V12.5X14TR13F](#) [NRLF332M25V22X20F](#)
[NRSZ102M16V10X22TBF](#) [EEV-HA1H330UP](#) [MAL215097513E3](#) [UCZ1V681MNQ1MS](#) [EEE-FT1C122UP](#) [EEE-FT1C821UP](#)