



VKM

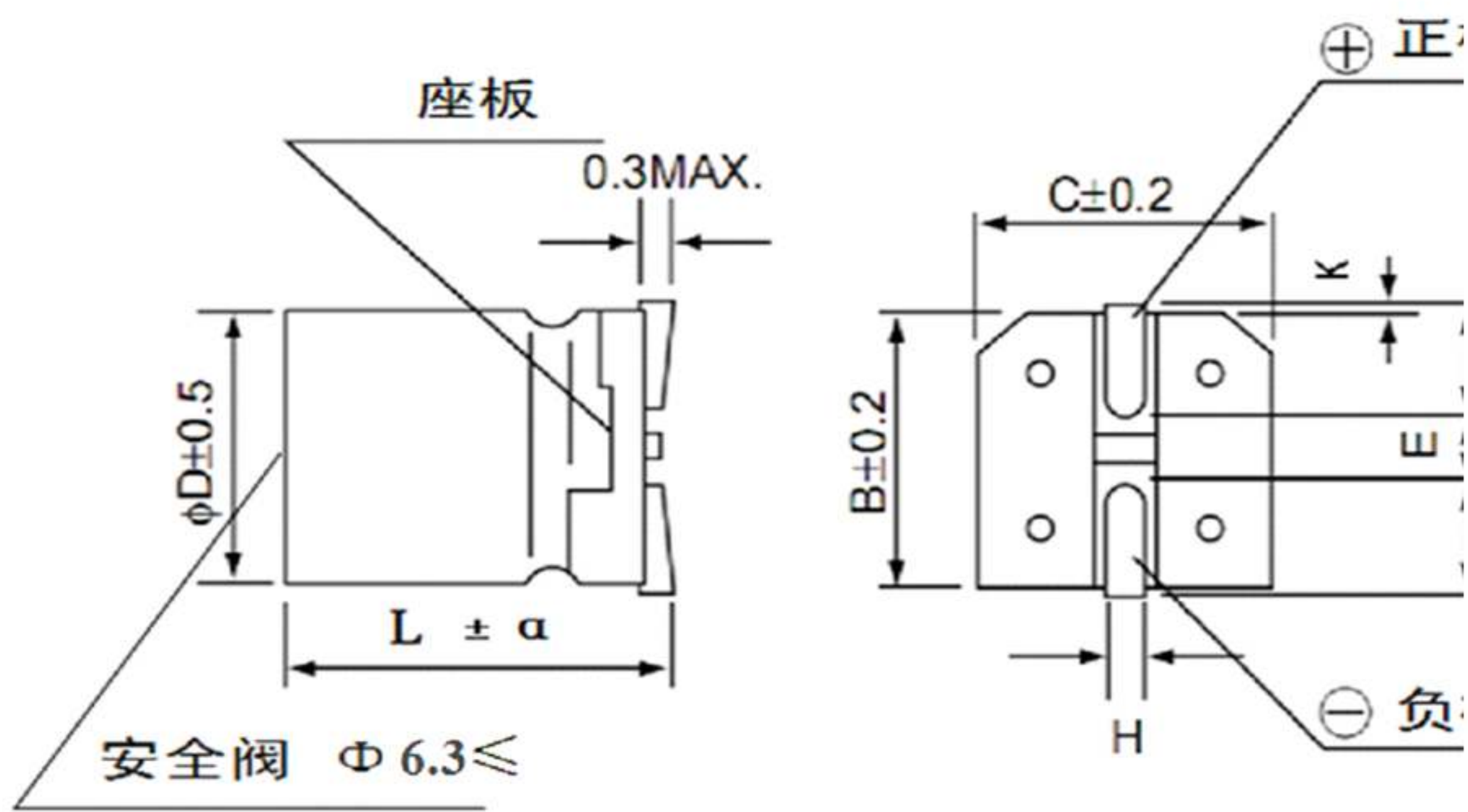
- ◆ 小体积 耐高频大纹波电流 高端电源专用
- ◆ 105℃环境下7000小时~10000小时
- ◆ 符合AEC-Q200 RoHS指令对应
- ◆ 适用于高密度 全自动表面贴装 高温回流焊对应



■ 主要技术参数

| 项目 | 特性 | | | | | | | | | |
|---|---|-------------|------|------|------|-------------|------|------|------|--|
| 使用温度范围 | ≤100V.DC -55℃~+105℃ ; 160~500V.DC -40℃~+105℃ | | | | | | | | | |
| 标称电压范围 | 10~500V.DC | | | | | | | | | |
| 容量允许偏差 | ±20%(25±2℃ 120Hz) | | | | | | | | | |
| 漏电流(μA) | 10~100WV I≤0.01CV or 3μA取大者 C:标称容量(μF) V:额定电压(V) 2分钟读数 | | | | | | | | | |
| | 160~500WV I≤0.02CV+10(μA) C:标称容量(μF) V:额定电压(V) 2分钟读数 | | | | | | | | | |
| 损耗角正切值 (25±2℃ 120Hz) | 额定电压(V) | 10 | 16 | 25 | 35 | 50 | 63 | 80 | 100 | |
| | tg δ | 0.28 | 0.24 | 0.20 | 0.16 | 0.14 | 0.14 | 0.12 | 0.12 | |
| | 额定电压(V) | 160 | 200 | 250 | 350 | 400 | 450 | 500 | | |
| | tg δ | 0.15 | 0.15 | 0.15 | 0.15 | 0.15 | 0.20 | 0.25 | | |
| 标称容量超过1000μF者, 则每增加1000μF, 损耗角正切值增加0.02 | | | | | | | | | | |
| 温度特性 (120Hz) | 额定电压(V) | 10 | 16 | 25 | 35 | 50 | 63 | 80 | 100 | |
| | 阻抗比Z(-40℃)/Z(20℃) | 6 | 4 | 3 | 3 | 3 | 3 | 3 | 3 | |
| | 额定电压(V) | 160 | 200 | 250 | 350 | 400 | 450 | 500 | | |
| | 阻抗比Z(-40℃)/Z(20℃) | 5 | 5 | 5 | 7 | 7 | 7 | 8 | | |
| 耐久性 | 在105℃烘箱中,施加含额定纹波电流的额定电压,持续规定时间后,置于常温16小时后测试,测试温度25±2℃,电容器的性能应满足如下要求 | | | | | | | | | |
| | 容量变化率 | 在初始值的±20%以内 | | | | | | | | |
| | 损耗角正切值 | 在规定值的200%以下 | | | | | | | | |
| | 漏电流 | 在规定值以下 | | | | | | | | |
| | 负荷寿命 | φ5 7000小时 | | | | φ6.3 9000小时 | | | | |
| ≥ φ8 10000小时 | | | | | | | | | | |
| 高温储存 | 在105℃下,储存1000小时,置于常温16小时后测试,测试温度:25±2℃,电容器的性能应满足如下要求 | | | | | | | | | |
| | 容量变化率 | 在初始值的±20%以内 | | | | | | | | |
| | 损耗角正切值 | 在规定值的200%以下 | | | | | | | | |
| | 漏电流 | 在规定值的200%以下 | | | | | | | | |

■ 产品尺寸图 (单位: mm)



| ϕD | L | B | C | A | H | E | K | α |
|----------|------|------|------|-----|-----------------|-----|----------------|-----------|
| 5 | 10 | 5.3 | 5.3 | 2.1 | 0.75 ± 0.10 | 1.3 | 0.7MAX | ± 0.5 |
| 5 | 12 | 5.3 | 5.3 | 2.1 | 0.75 ± 0.10 | 1.3 | 0.7MAX | ± 0.5 |
| 6.3 | 10 | 6.6 | 6.6 | 2.6 | 0.75 ± 0.10 | 1.8 | 0.7MAX | ± 0.5 |
| 6.3 | 12 | 6.6 | 6.6 | 2.6 | 0.75 ± 0.10 | 1.8 | 0.7MAX | ± 0.5 |
| 8 | 10 | 8.3 | 8.3 | 3.4 | 0.90 ± 0.20 | 3.1 | 0.7MAX | ± 0.5 |
| 8 | 12.5 | 8.3 | 8.3 | 3.4 | 0.90 ± 0.20 | 3.1 | 0.7MAX | ± 0.5 |
| 8 | 14.5 | 8.3 | 8.3 | 3.4 | 0.90 ± 0.20 | 3.1 | 0.7MAX | ± 0.5 |
| 8 | 16.5 | 8.3 | 8.3 | 3.4 | 0.90 ± 0.20 | 3.1 | 0.7MAX | ± 0.5 |
| 8 | 20.5 | 8.3 | 8.3 | 3.4 | 0.90 ± 0.20 | 3.1 | 0.7MAX | ± 0.5 |
| 10 | 10 | 10.3 | 10.3 | 3.5 | 0.90 ± 0.20 | 4.6 | 0.7MAX | ± 0.5 |
| 10 | 13 | 10.3 | 10.3 | 3.5 | 0.90 ± 0.20 | 4.6 | 0.7MAX | ± 0.5 |
| 10 | 14.5 | 10.3 | 10.3 | 3.5 | 0.90 ± 0.20 | 4.6 | 0.7MAX | ± 0.5 |
| 10 | 16.5 | 10.3 | 10.3 | 3.5 | 0.90 ± 0.20 | 4.6 | 0.7MAX | ± 0.5 |
| 10 | 21 | 10.3 | 10.3 | 3.5 | 0.90 ± 0.20 | 4.6 | 0.7MAX | ± 0.5 |
| 12.5 | 13.5 | 13.0 | 13.0 | 4.7 | 0.90 ± 0.30 | 4.4 | 0.7MAX | ± 1.0 |
| 12.5 | 14.5 | 13.0 | 13.0 | 4.7 | 0.90 ± 0.30 | 4.4 | 0.7MAX | ± 1.5 |
| 12.5 | 17 | 13.0 | 13.0 | 4.7 | 0.90 ± 0.30 | 4.4 | 0.7MAX | ± 1.0 |
| 12.5 | 21 | 13.0 | 13.0 | 4.7 | 0.90 ± 0.30 | 4.4 | 0.7MAX | ± 1.0 |
| 16 | 17 | 17.0 | 17.0 | 5.5 | 1.20 ± 0.30 | 6.7 | 0.7 ± 0.30 | ± 1.0 |
| 16 | 21 | 17.0 | 17.0 | 5.5 | 1.20 ± 0.30 | 6.7 | 0.7 ± 0.30 | ± 1.0 |
| 18 | 17 | 19.0 | 19.0 | 6.7 | 1.20 ± 0.30 | 6.7 | 0.7 ± 0.30 | ± 1.0 |
| 18 | 21 | 19.0 | 19.0 | 6.7 | 1.20 ± 0.30 | 6.7 | 0.7 ± 0.30 | ± 1.0 |
| 20 | 16.5 | 21.1 | 21.1 | 6.2 | 1.30 ± 0.30 | 8.8 | 0.7 ± 0.30 | ± 1.0 |
| 20 | 21.5 | 21.1 | 21.1 | 6.2 | 1.30 ± 0.30 | 8.8 | 0.7 ± 0.30 | ± 1.0 |

■ 频率修正因子

| 频率 (Hz) | | 120 | 1K | 10K | 100K \leq |
|---------|------------|------|------|------|-------------|
| 系数 | 0.47 ~ 8.2 | 0.42 | 0.60 | 0.80 | 1.00 |
| | 10 ~ 39 | 0.45 | 0.75 | 0.90 | 1.00 |
| | 47 ~ 180 | 0.50 | 0.80 | 0.95 | 1.00 |
| | 220以上 | 0.60 | 0.85 | 0.95 | 1.00 |



VKM

■ 标准品一览表

| 电压(V) | 10 | | 16 | | 25 | | 35 | | 50 | | 63 | |
|------------------------|---------------|-------------------------------------|---------------|-------------------------------------|---------------|-------------------------------------|---------------|-------------------------------------|---------------|-------------------------------------|---------------|-------------------------------------|
| 项目 容量 (μ F) | 尺寸 D×L(mm) | 纹波电流 (mA.r.m.s/ 105°C 100KHz) | 尺寸 D×L(mm) | 纹波电流 (mA.r.m.s/ 105°C 100KHz) | 尺寸 D×L(mm) | 纹波电流 (mA.r.m.s/ 105°C 100KHz) | 尺寸 D×L(mm) | 纹波电流 (mA.r.m.s/ 105°C 100KHz) | 尺寸 D×L(mm) | 纹波电流 (mA.r.m.s/ 105°C 100KHz) | 尺寸 D×L(mm) | 纹波电流 (mA.r.m.s/ 105°C 100KHz) |
| 0.47 | | | | | | | | | 5×10 | 21 | 5×10 | 23 |
| 1.0 | | | | | | | | | 5×10 | 31 | 5×10 | 35 |
| 1.2 | | | | | | | | | | | 5×10 | 35 |
| 1.5 | | | | | | | | | | | 5×10 | 41 |
| 1.8 | | | | | | | | | 5×10 | 32 | 5×10 | 41 |
| 2.2 | | | | | | | | | 5×10 | 39 | 5×10 | 45 |
| 2.7 | | | | | | | | | | | 5×10 | 52 |
| 3.3 | | | | | | | | | 5×10 | 54 | 5×10 | 59 |
| 3.9 | | | | | | | | | 5×10 | 54 | 5×10 | 78 |
| 4.7 | | | | | | | | | 5×10 | 89 | 5×10 | 98 |
| 5.6 | | | | | | | | | 5×10 | 91 | 5×10 | 100 |
| 6.8 | | | | | | | | | 5×10 | 94 | 5×10 | 103 |
| 8.2 | | | | | | | | | 5×10 | 98 | 5×10 | 109 |
| 10 | 5×10 | 56 | 5×10 | 71 | 5×10 | 91 | 5×10 | 101 | 5×10 | 101 | 5×10 | 111 |
| 12 | 5×10 | 60 | 5×10 | 80 | 5×10 | 100 | 5×10 | 110 | | | 5×10 | 121 |
| 15 | 5×10 | 76 | 5×10 | 91 | 5×10 | 111 | 5×10 | 121 | 5×10 | 121 | 5×10 | 150 |
| 18 | | | | | | | | | | | 5×10 | 173 |
| 22 | 5×10 | 91 | 5×10 | 111 | 5×10 | 121 | 5×10 | 160 | 5×10 | 238 | 5×10 | 228 |
| 27 | | | | | | | | | 5×10 | 286 | 5×10 | 250 |
| 33 | 5×10 | 106 | 5×10 | 121 | 5×10 | 151 | 5×10 | 215 | 5×10 | 314 | 6.3×10 | 344 |
| 39 | 5×10 | 136 | 5×10 | 151 | 5×10 | 181 | 5×10 | 345 | 6.3×10 | 344 | 6.3×10 | 344 |
| 47 | 5×10 | 143 | 5×10 | 161 | 5×10 | 211 | 5×10 | 345 | 6.3×10 | 385 | 6.3×10 | 385 |
| 56 | 5×10 | 151 | 5×10 | 171 | 5×10 | 310 | 5×10 | 414 | 6.3×10 | 385 | 6.3×12 | 492 |
| 56 | | | | | | | | | | | 8×10 | 525 |
| 68 | 5×10 | 161 | 5×10 | 181 | 5×10 | 345 | 6.3×10 | 486 | 6.3×10 | 390 | 6.3×12 | 724 |
| 68 | | | | | | | | | | | 8×10 | 724 |
| 82 | 5×10 | 171 | 5×10 | 211 | 5×10 | 414 | 6.3×10 | 540 | 6.3×12 | 487 | 8×10 | 724 |
| 82 | | | | | | | | | 8×10 | 724 | | |
| 100 | 5×10 | 181 | 5×10 | 345 | 5×10 | 443 | 6.3×10 | 550 | 6.3×12 | 687 | 8×10 | 902 |
| 100 | | | | | | | | | 8×10 | 724 | | |
| 120 | 5×10 | 211 | 5×10 | 345 | 6.3×10 | 486 | 6.3×10 | 550 | 8×10 | 800 | 8×12.5 | 902 |
| 120 | | | | | | | | | | | 10×10 | 979 |
| 150 | 5×10 | 345 | 5×10 | 414 | 6.3×10 | 540 | 6.3×12 | 660 | 8×12.5 | 950 | 8×14.5 | 950 |
| 150 | | | | | | | 8×10 | 660 | 10×10 | 975 | 10×13 | 1130 |
| 180 | 5×10 | 345 | 6.3×10 | 486 | 6.3×10 | 550 | 8×10 | 900 | 8×14.5 | 1190 | 8×16.5 | 1190 |
| 180 | | | | | | | | | 10×13 | 1230 | 10×14.5 | 1190 |
| 220 | 5×10 | 414 | 6.3×10 | 540 | 6.3×12 | 660 | 8×10 | 945 | 8×14.5 | 1190 | 10×14.5 | 1200 |
| 220 | | | | | 8×10 | 660 | | | 10×13 | 1230 | | |
| 270 | 6.3×10 | 486 | 6.3×10 | 540 | 8×10 | 900 | 8×12.5 | 1250 | 8×16.5 | 1420 | 10×16.5 | 1300 |



VKM

■ 标准品一览表

| 电压(V) | 10 | | 16 | | 25 | | 35 | | 50 | | 63 | |
|-------------------------|---------------|-------------------------------------|---------------|-------------------------------------|---------------|-------------------------------------|---------------|-------------------------------------|---------------|-------------------------------------|---------------|-------------------------------------|
| 项目 容量 (μF) | 尺寸 D×L(mm) | 纹波电流 (mA r.m.s/ 105°C 100KHz) | 尺寸 D×L(mm) | 纹波电流 (mA r.m.s/ 105°C 100KHz) | 尺寸 D×L(mm) | 纹波电流 (mA r.m.s/ 105°C 100KHz) | 尺寸 D×L(mm) | 纹波电流 (mA r.m.s/ 105°C 100KHz) | 尺寸 D×L(mm) | 纹波电流 (mA r.m.s/ 105°C 100KHz) | 尺寸 D×L(mm) | 纹波电流 (mA r.m.s/ 105°C 100KHz) |
| 270 | | | | | | | 10×10 | 1250 | 10×14.5 | 1420 | 12.5×14.5 | 1500 |
| 330 | 6.3×10 | 540 | 6.3×12 | 550 | 8×10 | 945 | 8×14.5 | 1330 | 10×14.5 | 1450 | 10×16.5 | 1580 |
| 330 | | | 8×10 | 550 | | | 10×13 | 1330 | | | 12.5×14.5 | 1650 |
| 390 | 6.3×10 | 540 | 8×10 | 660 | 8×12.5 | 1250 | 8×16.5 | 1420 | 10×16.5 | 1580 | 10×21 | 1870 |
| 390 | | | | | 10×10 | 1250 | 10×13 | 1760 | 12.5×14.5 | 1650 | 12.5×17 | 1870 |
| 470 | 6.3×12 | 545 | 8×10 | 900 | 8×12.5 | 1330 | 10×14.5 | 1850 | 12.5×14.5 | 2050 | 12.5×17 | 2100 |
| 470 | 8×10 | 550 | | | 10×10 | 1330 | | | | | | |
| 560 | 6.3×12 | 880 | 8×10 | 900 | 8×14.5 | 1420 | 10×14.5 | 1960 | 12.5×17 | 2050 | 12.5×21 | 2410 |
| 560 | 8×10 | 900 | | | 10×13 | 1760 | | | | | 16×17 | 2500 |
| 680 | 8×10 | 900 | 8×12.5 | 1250 | 8×16.5 | 1500 | 10×16.5 | 2120 | 12.5×17 | 2250 | 16×17 | 2730 |
| 680 | | | 10×10 | 1330 | 10×13 | 1760 | 12.5×14.5 | 2120 | | | | |
| 820 | 8×10 | 1180 | 8×14.5 | 1420 | 10×14.5 | 1850 | 12.5×14.5 | 2360 | 12.5×21 | 2410 | 16×21 | 2620 |
| 820 | | | 10×13 | 1760 | | | | | 16×17 | 2730 | | |
| 1000 | 8×12.5 | 1250 | 8×16.5 | 1500 | 10×16.5 | 1960 | 12.5×17 | 2480 | 16×17 | 3010 | 16×21 | 2860 |
| 1000 | 10×10 | 1330 | 10×13 | 1850 | 12.5×14.5 | 2120 | | | | | | |
| 1200 | 8×14.5 | 1420 | 10×14.5 | 1850 | 10×21 | 2120 | 12.5×21 | 2900 | 16×21 | 3280 | 18×21 | 3300 |
| 1200 | 10×13 | 1760 | | | 12.5×14.5 | 2120 | | | | | | |
| 1500 | 8×16.5 | 1500 | 10×16.5 | 1960 | 10×21 | 2480 | 12.5×21 | 2900 | 18×21 | 3280 | 20×21.5 | 3280 |
| 1500 | 10×13 | 1760 | 12.5×14.5 | 2120 | 12.5×17 | 2480 | 16×17 | 3250 | | | | |
| 1800 | 10×14.5 | 1850 | 10×21 | 1960 | 12.5×17 | 2480 | 16×21 | 3450 | 18×21 | 3300 | 20×21.5 | 3570 |
| 1800 | | | 12.5×14.5 | 2120 | | | | | | | | |
| 2200 | 10×16.5 | 1960 | 10×21 | 2480 | 12.5×21 | 2900 | 16×21 | 3630 | 20×21.5 | 3570 | 20×21.5 | 3670 |
| 2200 | 12.5×14.5 | 2120 | 12.5×17 | 2480 | 16×17 | 3250 | | | | | | |
| 2700 | 10×21 | 2250 | 12.5×17 | 2480 | 16×21 | 3450 | 18×21 | 4010 | 20×21.5 | 3670 | | |
| 2700 | 12.5×14.5 | 2250 | | | | | | | | | | |
| 3300 | 12.5×17 | 2480 | 12.5×21 | 2900 | 16×21 | 3630 | 20×21.5 | 4080 | | | | |
| 3900 | 12.5×17 | 2900 | 16×21 | 3250 | 18×21 | 3650 | 20×21.5 | 4080 | | | | |
| 4700 | 12.5×21 | 3250 | 16×21 | 3450 | 18×21 | 4010 | | | | | | |
| 4700 | 16×17 | 3450 | | | | | | | | | | |



VKM

■ 标准品一览表

| 电压(V) | 80 | | 100 | | 160 | | 200 | | 250 | | 350 | |
|-------------------------|---------------|-------------------------------------|---------------|-------------------------------------|---------------|-------------------------------------|---------------|-------------------------------------|---------------|-------------------------------------|---------------|-------------------------------------|
| 项目 容量 (μF) | 尺寸 D×L(mm) | 纹波电流 (mA r.m.s/ 105°C 100KHz) | 尺寸 D×L(mm) | 纹波电流 (mA r.m.s/ 105°C 100KHz) | 尺寸 D×L(mm) | 纹波电流 (mA r.m.s/ 105°C 100KHz) | 尺寸 D×L(mm) | 纹波电流 (mA r.m.s/ 105°C 100KHz) | 尺寸 D×L(mm) | 纹波电流 (mA r.m.s/ 105°C 100KHz) | 尺寸 D×L(mm) | 纹波电流 (mA r.m.s/ 105°C 100KHz) |
| 0.47 | 5×10 | 24 | 5×10 | 24 | | | | | | | | |
| 1.0 | 5×10 | 37 | 5×10 | 37 | 5×10 | 68 | 5×10 | 50 | 5×10 | 56 | 5×10 | 73 |
| 1.2 | 5×10 | 37 | 5×10 | 37 | 5×10 | 68 | 5×10 | 55 | 5×10 | 56 | 5×10 | 90 |
| 1.5 | 5×10 | 43 | 5×10 | 43 | 5×10 | 95 | 5×10 | 60 | 5×10 | 56 | 5×10 | 90 |
| 1.8 | 5×10 | 43 | 5×10 | 43 | 5×10 | 95 | 5×10 | 65 | 5×10 | 65 | 5×10 | 95 |
| 2.2 | 5×10 | 47 | 5×10 | 47 | 5×10 | 95 | 5×10 | 75 | 5×10 | 98 | 6.3×10 | 125 |
| 2.7 | 5×10 | 55 | 5×10 | 55 | 5×10 | 95 | 5×10 | 80 | 5×10 | 98 | 6.3×10 | 125 |
| 3.3 | 5×10 | 62 | 5×10 | 62 | 5×10 | 95 | 5×10 | 95 | 5×10 | 98 | 6.3×10 | 131 |
| 3.9 | 5×10 | 81 | 5×10 | 81 | 5×10 | 95 | 5×10 | 95 | 6.3×10 | 135 | 6.3×12 | 131 |
| 3.9 | | | | | | | | | | | 8×10 | 131 |
| 4.7 | 5×10 | 101 | 5×10 | 101 | 5×10 | 95 | 6.3×10 | 125 | 6.3×10 | 135 | 6.3×12 | 140 |
| 4.7 | | | | | | | | | | | 8×10 | 140 |
| 5.6 | 5×10 | 106 | 5×10 | 106 | 6.3×10 | 110 | 6.3×10 | 125 | 6.3×10 | 140 | 8×10 | 140 |
| 6.8 | 5×10 | 111 | 5×10 | 111 | 6.3×10 | 125 | 6.3×10 | 140 | 6.3×12 | 140 | 8×12.5 | 200 |
| 6.8 | | | | | | | | | 8×10 | 140 | 10×10 | 210 |
| 8.2 | 5×10 | 121 | 5×10 | 121 | 6.3×10 | 125 | 6.3×12 | 140 | 8×10 | 170 | 8×14.5 | 220 |
| 8.2 | | | | | | | 8×10 | 140 | | | 10×13 | 270 |
| 10 | 5×10 | 150 | 5×10 | 220 | 6.3×12 | 132 | 8×10 | 170 | 8×10 | 210 | 8×14.5 | 250 |
| 10 | | | | | 8×10 | 140 | | | | | 10×13 | 270 |
| 12 | 5×10 | 163 | 6.3×10 | 267 | 8×10 | 150 | 8×12.5 | 240 | 8×12.5 | 240 | 8×20.5 | 340 |
| 15 | 5×10 | 200 | 6.3×10 | 267 | 8×10 | 150 | 10×13 | 320 | 10×13 | 320 | 8×20.5 | 360 |
| 15 | | | | | | | | | | | 10×14.5 | 460 |
| 18 | 5×10 | 240 | 6.3×10 | 267 | 8×12.5 | 160 | 8×14.5 | 280 | 8×14.5 | 280 | 10×16.5 | 480 |
| 18 | | | | | 10×10 | 160 | 10×13 | 320 | 10×13 | 320 | 12.5×14.5 | 585 |
| 22 | 6.3×10 | 267 | 6.3×10 | 290 | 8×12.5 | 160 | 8×16.5 | 320 | 8×16.5 | 320 | 10×21 | 585 |
| 22 | | | | | 10×10 | 250 | 10×13 | 320 | 10×13 | 320 | 12.5×14.5 | 585 |
| 27 | 6.3×10 | 267 | 6.3×12 | 420 | 8×14.5 | 250 | | | | | | |
| 27 | | | 8×10 | 450 | 10×13 | 250 | | | | | | |
| 33 | 6.3×10 | 267 | 8×10 | 450 | 8×16.5 | 350 | 10×16.5 | 708 | 10×16.5 | 708 | 12.5×17 | 960 |
| 33 | | | | | 10×13 | 360 | | | | | | |
| 39 | 6.3×12 | 400 | 8×10 | 565 | 8×20.5 | 580 | | | | | | |
| 39 | 8×10 | 420 | | | 10×14.5 | 635 | | | | | | |
| 47 | 6.3×12 | 420 | 8×12.5 | 585 | 10×16.5 | 680 | 10×21 | 745 | 10×21 | 850 | 12.5×21 | 1115 |
| 47 | 8×10 | 470 | 10×10 | 624 | | | 12.5×17 | 960 | 12.5×17 | 960 | 16×17 | 1060 |
| 56 | 8×10 | 470 | 8×14.5 | 624 | 10×16.5 | 850 | 10×23 | 960 | 10×23 | 960 | 16×21 | 1115 |
| 56 | | | 10×10 | 624 | 12.5×14.5 | 850 | 12.5×17 | 960 | 12.5×17 | 960 | | |
| 68 | 8×10 | 520 | 8×16.5 | 735 | 10×21 | 850 | 12.5×21 | 1270 | 12.5×21 | 1270 | 16×21 | 1115 |
| 68 | | | 10×13 | 750 | 12.5×14.5 | 850 | 16×17 | 1270 | 16×17 | 1270 | | |
| 82 | 8×12.5 | 624 | 8×16.5 | 780 | 10×21 | 1020 | 12.5×21 | 1270 | 12.5×21 | 1270 | 18×21 | 1530 |



VKM

■ 标准品一览表

| 电压(V) | 80 | | 100 | | 160 | | 200 | | 250 | | 350 | |
|-------------------------|---------------|-------------------------------------|---------------|-------------------------------------|---------------|-------------------------------------|---------------|-------------------------------------|---------------|-------------------------------------|---------------|-------------------------------------|
| 项目 容量 (μF) | 尺寸 D×L(mm) | 纹波电流 (mA r.m.s/ 105°C 100KHz) | 尺寸 D×L(mm) | 纹波电流 (mA r.m.s/ 105°C 100KHz) | 尺寸 D×L(mm) | 纹波电流 (mA r.m.s/ 105°C 100KHz) | 尺寸 D×L(mm) | 纹波电流 (mA r.m.s/ 105°C 100KHz) | 尺寸 D×L(mm) | 纹波电流 (mA r.m.s/ 105°C 100KHz) | 尺寸 D×L(mm) | 纹波电流 (mA r.m.s/ 105°C 100KHz) |
| 82 | 10×10 | 668 | 10×14.5 | 900 | 12.5×17 | 1155 | 16×17 | 1270 | 16×17 | 1270 | | |
| 100 | 8×14.5 | 735 | 10×14.5 | 1040 | 12.5×17 | 1155 | 12.5×21 | 1360 | 16×21 | 1360 | 20×21.5 | 2230 |
| 100 | 10×10 | 744 | | | | | 16×17 | 1270 | | | | |
| 120 | 8×16.5 | 744 | 10×16.5 | 1170 | 12.5×21 | 1390 | 16×21 | 1360 | 16×21 | 1500 | | |
| 120 | 10×13 | 892 | 12.5×14.5 | 1240 | 16×17 | 1420 | | | | | | |
| 150 | 10×14.5 | 980 | 12.5×14.5 | 1368 | 16×21 | 1520 | 16×21 | 1660 | 18×21 | 1920 | | |
| 180 | 10×14.5 | 980 | 12.5×17 | 1530 | 16×21 | 1850 | 18×21 | 2020 | 20×21.5 | 2250 | | |
| 220 | 10×16.5 | 1040 | 12.5×21 | 1620 | 18×21 | 2320 | 20×21.5 | 2380 | 20×21.5 | 2625 | | |
| 220 | 12.5×14.5 | 1040 | | | | | | | | | | |
| 270 | 10×21 | 1240 | 12.5×21 | 1750 | 20×21.5 | 2715 | | | | | | |
| 270 | 12.5×17 | 1240 | 16×17 | 1750 | | | | | | | | |
| 330 | 12.5×17 | 1368 | 16×21 | 2140 | 20×21.5 | 2660 | | | | | | |
| 390 | 12.5×21 | 1640 | 16×21 | 2210 | 20×21.5 | 2715 | | | | | | |
| 390 | 16×17 | 1750 | | | | | | | | | | |
| 470 | 12.5×21 | 1750 | 18×21 | 2270 | | | | | | | | |
| 470 | 16×17 | 1750 | | | | | | | | | | |
| 560 | 16×21 | 2110 | 20×21.5 | 2600 | | | | | | | | |
| 680 | 16×21 | 2270 | 20×21.5 | 2860 | | | | | | | | |
| 820 | 18×21 | 2270 | 20×21.5 | 3510 | | | | | | | | |
| 1000 | 20×21.5 | 2860 | | | | | | | | | | |
| 1200 | 20×21.5 | 2860 | | | | | | | | | | |
| 1500 | 20×21.5 | 3510 | | | | | | | | | | |



VKM

■ 标准品一览表

| 电压(V) | 400 | | 450 | | 500 | |
|-------------------------|---------------|-------------------------------------|---------------|-------------------------------------|---------------|-------------------------------------|
| 项目 容量 (μF) | 尺寸 D×L(mm) | 纹波电流 (mA r.m.s/ 105°C 100KHz) | 尺寸 D×L(mm) | 纹波电流 (mA r.m.s/ 105°C 100KHz) | 尺寸 D×L(mm) | 纹波电流 (mA r.m.s/ 105°C 100KHz) |
| 1.0 | 5×10 | 73 | 5×10 | 73 | 6.3×10 | 45 |
| 1.2 | 5×10 | 76 | 5×10 | 78 | 6.3×10 | 45 |
| 1.5 | 5×10 | 76 | 6.3×10 | 90 | 6.3×10 | 45 |
| 1.8 | 6.3×10 | 87 | 6.3×10 | 95 | 8×10 | 80 |
| 2.2 | 6.3×10 | 105 | 6.3×10 | 100 | 8×10 | 80 |
| 2.7 | 6.3×10 | 125 | 6.3×10 | 100 | 8×12.5 | 85 |
| 3.3 | 6.3×10 | 131 | 8×10 | 120 | 8×12.5 | 85 |
| 3.9 | 6.3×12 | 140 | 8×10 | 135 | 8×14.5 | 102 |
| 3.9 | 8×10 | 140 | | | | |
| 4.7 | 8×10 | 140 | 8×12.5 | 135 | 8×16.5 | 130 |
| 4.7 | | | 10×10 | 135 | | |
| 5.6 | 8×12.5 | 200 | 8×14.5 | 140 | 10×14.5 | 130 |
| 5.6 | 10×10 | 220 | 10×13 | 200 | | |
| 6.8 | 10×13 | 270 | 8×16.5 | 220 | 10×14.5 | 130 |
| 6.8 | | | 10×13 | 200 | | |
| 8.2 | 8×14.5 | 250 | 8×16.5 | 220 | 10×14.5 | 240 |
| 8.2 | 10×13 | 270 | 10×13 | 200 | | |
| 10 | 8×16.5 | 270 | 8×20.5 | 260 | 10×16.5 | 260 |
| 10 | 10×13 | 270 | 10×14.5 | 350 | | |
| 12 | 10×14.5 | 320 | 10×16.5 | 360 | 12.5×17 | 270 |
| 15 | 10×14.5 | 340 | 10×16.5 | 370 | 12.5×17 | 270 |
| 15 | | | 12.5×14.5 | 370 | | |
| 18 | 10×16.5 | 360 | 12.5×17 | 410 | 12.5×17 | 470 |
| 18 | 12.5×14.5 | 360 | | | | |
| 22 | 10×21 | 570 | 12.5×17 | 450 | 12.5×21 | 470 |
| 22 | 12.5×17 | 570 | | | | |
| 33 | 12.5×21 | 850 | 12.5×21 | 710 | 16×21 | 700 |
| 33 | 16×17 | 900 | 16×17 | 740 | | |
| 47 | 16×21 | 1100 | 16×21 | 1215 | 18×21 | 720 |
| 56 | 16×21 | 1155 | 18×21 | 1300 | 20×21.5 | 840 |
| 68 | 18×21 | 1460 | | | | |
| 82 | 20×21.5 | 1740 | | | | |

X-ON Electronics

Largest Supplier of Electrical and Electronic Components

Click to view similar products for [Aluminium Electrolytic Capacitors - SMD category](#):

Click to view products by [Ymin manufacturer](#):

Other Similar products are found below :

[GA0402A270FXBAC31G](#) [RVB-50V330MG10UQ-R](#) [RVJ-50V101MH10U-R](#) [RVZ-35V151MH10U-R2](#) [RC0J226M04005VR](#)
[RC0J476M05005VR](#) [RC1A227M08010VR](#) [RC1C226M05005VR](#) [RC1C476M6L005VR](#) [RC1E107M6L07KVR](#) [RC1E336M6L005VR](#)
[RC1H106M6L005VR](#) [RC1H475M05005VR](#) [RC1V227M10010VR](#) [RC1V476M6L006VR](#) [50SEV1M4X5.5](#) [TYEH1A336E55MTR](#)
[TYEH1H106F55MTR](#) [TYEH1V106E55MTR](#) [35SEV47M6.3X8](#) [35SGV220M10X10.5](#) [VES2R2M1HTR-0405](#) [VZH102M1ATR-1010](#)
[50SEV10M6.3X5.5](#) [50SGV1M4X6.1](#) [SC1C476M05005VR](#) [SC1E107M0806BVR](#) [SC1E227M08010VR](#) [SC1H106M05005VR](#)
[SC1H106M6L005VR](#) [SC1H227M10010VR](#) [SC1H335M04005VR](#) [CE4.7/50-SMD](#) [VEJ4R7M1VTR-0406](#) [VZH331M1ETR-0810](#)
[VES101M1CTR-0605](#) [TYEH1H475E55MTR](#) [6.3SEV22M4X5.5](#) [6.3SEV47M4X5.5](#) [EEEFK1H151GP](#) [EEEFK1A681GP](#) [EEE0GA471XP](#)
[EEEFK1V151GP](#) [RC1V107M6L07KVR](#) [VZH101M1VTR-0810](#) [VE010M1HTR-0405](#) [GYA1V151MCQ1GS](#) [EEH-ZC1J680P](#) [EEH-](#)
[ZK1V181P](#) [GYA1V271MCQ1GS](#)