



VMM

- ◆ 高端电源专用 小型品 扁平化V-CHIP产品
- ◆ 105℃环境下3000小时~8000小时
- ◆ 符合AEC-Q200 RoHS指令对应品
- ◆ 适用于高密度 全自动表面贴装 高温回流焊对应

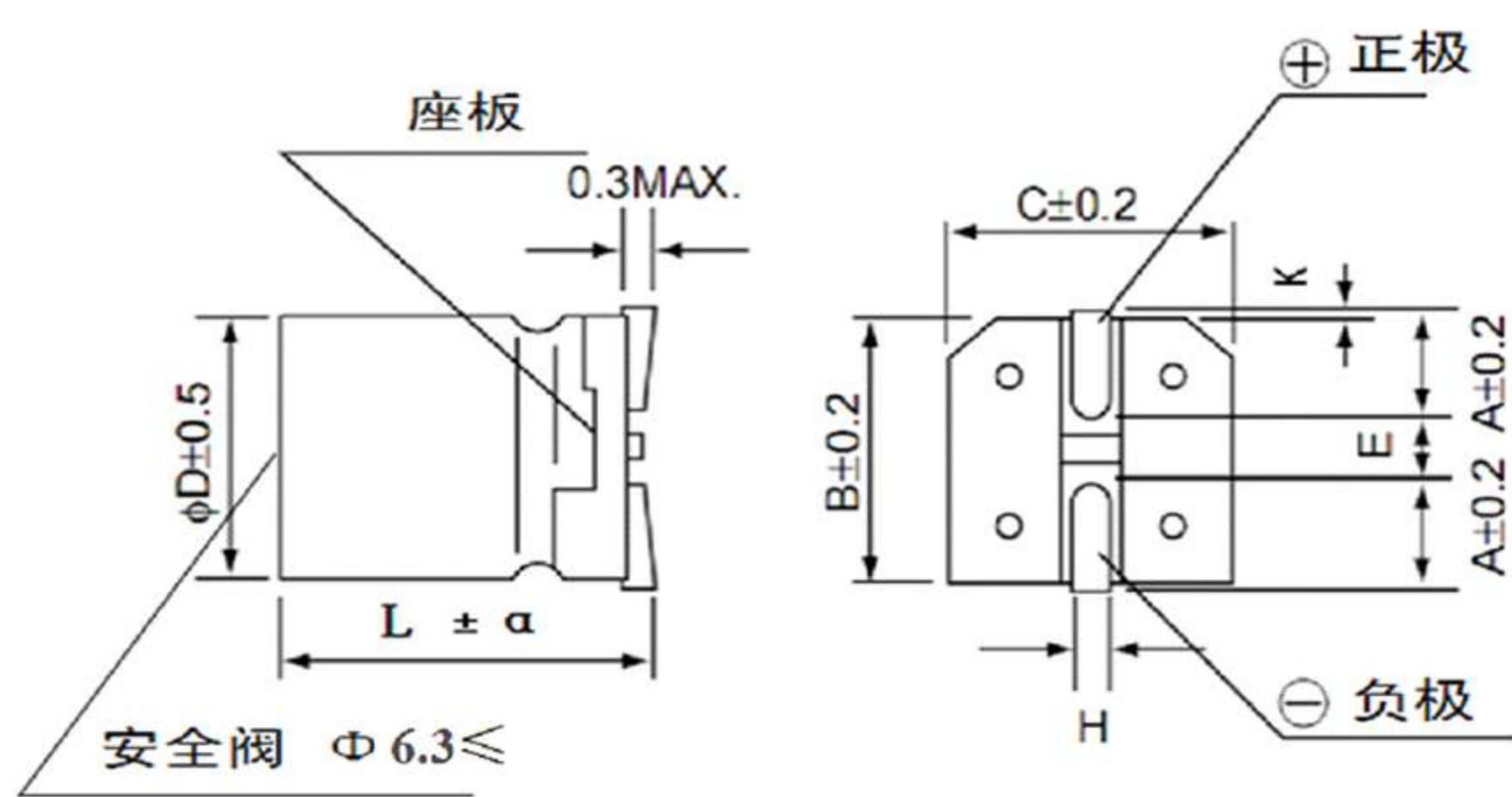


■ 主要技术参数

| 项目 | 特性 | | | | | | | | |
|---|--|-----------------|------|-----------------|------|-----------------|------|------|------|
| 使用温度范围 | ≤100V.DC -55℃~+105℃ ; 160~500V.DC -40℃~+105℃ | | | | | | | | |
| 标称电压范围 | 6.3~500V.DC | | | | | | | | |
| 容量允许偏差 | ±20% (25±2℃ 120Hz) | | | | | | | | |
| 漏电流(μA) | 6.3~100WV I≤0.01CV or 3μA取大者 C:标称容量(μF) V:额定电压(V) 2分钟读数 | | | | | | | | |
| | 160~500WV I≤0.02CV+10(μA) C:标称容量(μF) V:额定电压(V) 2分钟读数 | | | | | | | | |
| 损耗角正切值 (25±2℃ 120Hz) | 额定电压(V) | 6.3 | 10 | 16 | 25 | 35 | 50 | 63 | 80 |
| | tg δ | 0.32 | 0.28 | 0.24 | 0.20 | 0.18 | 0.16 | 0.16 | 0.14 |
| | 额定电压(V) | 100 | 160 | 200 | 250 | 350 | 400 | 450 | 500 |
| | tg δ | 0.14 | 0.15 | 0.15 | 0.15 | 0.20 | 0.20 | 0.20 | 0.25 |
| 标称容量超过1000μF者, 则每增加1000μF, 损耗角正切值增加0.02 | | | | | | | | | |
| 温度特性 (120Hz) | 额定电压(V) | 6.3 | 10 | 16 | 25 | 35 | 50 | 63 | 80 |
| | 阻抗比Z(-40℃)/Z(20℃) | 14 | 12 | 10 | 10 | 10 | 7 | 7 | 7 |
| | 额定电压(V) | 100 | 160 | 200 | 250 | 350 | 400 | 450 | 500 |
| | 阻抗比Z(-40℃)/Z(20℃) | 7 | 10 | 10 | 10 | 10 | 10 | 10 | 12 |
| 耐久性 | 在105℃烘箱中,施加含额定纹波电流的额定电压,持续规定时间后,置于常温16小时后测试,测试温度:25±2℃,电容器的性能应满足如下要求 | | | | | | | | |
| | 容量变化率 | 在初始值的±30%以内 | | | | | | | |
| | 损耗角正切值 | 在规定值的300%以下 | | | | | | | |
| | 漏电流 | 在规定值以下 | | | | | | | |
| | 负荷寿命 | 6.3WV~100WV | | | | 160WV~500WV | | | |
| | | 外形尺寸 | | 负荷寿命 | | 外形尺寸 | | 负荷寿命 | |
| | | ΦD*5.7(6.2,6.9) | | 3000 | | ΦD*5.7(6.2,6.9) | | 3000 | |
| ΦD*7.7(7.9,8.4) | | 4000 | | ΦD*7.7(7.9,8.4) | | 5000 | | | |
| 其它Φ5~Φ6.3 | | 5000 | | 其它Φ5~Φ6.3 | | 6000 | | | |
| 其它Φ8 | | 6000 | | 其它Φ8 | | 7000 | | | |
| 其它Φ10及以上 | | 8000 | | 其它Φ10及以上 | | 8000 | | | |
| 高温储存 | 在105℃下,储存1000小时,置于常温16小时后测试,测试温度:25±2℃,电容器的性能应满足如下要求 | | | | | | | | |
| | 容量变化率 | 在初始值的±20%以内 | | | | | | | |
| | 损耗角正切值 | 在规定值的200%以下 | | | | | | | |
| | 漏电流 | 在规定值的200%以下 | | | | | | | |



■ 产品尺寸图 (单位: mm)



| φD | L | B | C | A | H | E | K | α |
|------|------|------|------|-----|-----------|-----|----------|------|
| 5 | 5.7 | 5.3 | 5.3 | 2.1 | 0.75±0.10 | 1.5 | 0.7MAX | ±0.3 |
| 5 | 7.9 | 5.3 | 5.3 | 2.1 | 0.75±0.10 | 1.5 | 0.7MAX | ±0.3 |
| 5 | 10 | 5.3 | 5.3 | 2.1 | 0.75±0.10 | 1.5 | 0.7MAX | ±0.5 |
| 6.3 | 5.7 | 6.6 | 6.6 | 2.6 | 0.75±0.10 | 1.8 | 0.7MAX | ±0.3 |
| 6.3 | 7.7 | 6.6 | 6.6 | 2.6 | 0.75±0.10 | 1.8 | 0.7MAX | ±0.3 |
| 6.3 | 10 | 6.6 | 6.6 | 2.6 | 0.75±0.10 | 1.8 | 0.7MAX | ±0.5 |
| 8 | 6.2 | 8.3 | 8.3 | 3.4 | 0.90±0.20 | 3.1 | 0.7MAX | ±0.3 |
| 8 | 7.9 | 8.3 | 8.3 | 3.4 | 0.90±0.20 | 3.1 | 0.7MAX | ±0.3 |
| 8 | 10 | 8.3 | 8.3 | 3.4 | 0.90±0.20 | 3.1 | 0.7MAX | ±0.5 |
| 8 | 12.5 | 8.3 | 8.3 | 3.4 | 0.90±0.20 | 3.1 | 0.7MAX | ±0.5 |
| 8 | 14.5 | 8.3 | 8.3 | 3.4 | 0.90±0.20 | 3.1 | 0.7MAX | ±0.5 |
| 8 | 16.5 | 8.3 | 8.3 | 3.4 | 0.90±0.20 | 3.1 | 0.7MAX | ±0.5 |
| 10 | 6.9 | 10.3 | 10.3 | 3.5 | 0.90±0.20 | 4.4 | 0.7MAX | ±0.3 |
| 10 | 8.4 | 10.3 | 10.3 | 3.5 | 0.90±0.20 | 4.4 | 0.7MAX | ±0.3 |
| 10 | 10 | 10.3 | 10.3 | 3.5 | 0.90±0.20 | 4.4 | 0.7MAX | ±0.5 |
| 10 | 12.5 | 10.3 | 10.3 | 3.5 | 0.90±0.20 | 4.4 | 0.7MAX | ±0.5 |
| 10 | 13 | 10.3 | 10.3 | 3.5 | 0.90±0.20 | 4.4 | 0.7MAX | ±0.5 |
| 10 | 14.5 | 10.3 | 10.3 | 3.5 | 0.90±0.20 | 4.4 | 0.7MAX | ±0.5 |
| 10 | 16.5 | 10.3 | 10.3 | 3.5 | 0.90±0.20 | 4.4 | 0.7MAX | ±0.5 |
| 10 | 21 | 10.3 | 10.3 | 3.5 | 0.90±0.20 | 4.4 | 0.7MAX | ±0.5 |
| 12.5 | 13.5 | 13.5 | 13.5 | 4.7 | 0.90±0.20 | 4.4 | 0.7MAX | ±1.0 |
| 12.5 | 14.5 | 13.5 | 13.5 | 4.7 | 0.90±0.20 | 4.4 | 0.7MAX | ±1.0 |
| 12.5 | 16.5 | 13.5 | 13.5 | 4.7 | 0.90±0.20 | 4.4 | 0.7MAX | ±1.0 |
| 16 | 16.5 | 17 | 17 | 5.5 | 1.2±0.30 | 6.7 | 0.7±0.30 | ±1.0 |
| 16 | 21 | 17 | 17 | 5.5 | 1.2±0.30 | 6.7 | 0.7±0.30 | ±1.0 |
| 18 | 17 | 19 | 19 | 6.7 | 1.2±0.30 | 6.7 | 0.7±0.30 | ±1.0 |
| 18 | 21 | 19 | 19 | 6.7 | 1.2±0.30 | 6.7 | 0.7±0.30 | ±1.0 |

■ 频率修正因子

| 频率 (Hz) | 50 | 120 | 1K | ≥10K |
|---------|------|------|------|------|
| 系数 | 0.65 | 1.00 | 1.37 | 1.50 |



VMM

■ 标准品一览表

| 电压(V) | 6.3 | | 10 | | 16 | | 25 | | 35 | | 50 | |
|------------------------|---------------|------------------------------------|---------------|------------------------------------|---------------|------------------------------------|---------------|------------------------------------|---------------|------------------------------------|---------------|------------------------------------|
| 项目 容量 (μ F) | 尺寸 D×L(mm) | 纹波电流 (mA r.m.s/ 105°C 120Hz) | 尺寸 D×L(mm) | 纹波电流 (mA r.m.s/ 105°C 120Hz) | 尺寸 D×L(mm) | 纹波电流 (mA r.m.s/ 105°C 120Hz) | 尺寸 D×L(mm) | 纹波电流 (mA r.m.s/ 105°C 120Hz) | 尺寸 D×L(mm) | 纹波电流 (mA r.m.s/ 105°C 120Hz) | 尺寸 D×L(mm) | 纹波电流 (mA r.m.s/ 105°C 120Hz) |
| 0.47 | | | | | | | | | | | 5×5.7 | 4 |
| 1.0 | | | | | | | | | | | 5×5.7 | 8 |
| 1.2 | | | | | | | | | | | 5×5.7 | 9 |
| 1.5 | | | | | | | | | | | 5×5.7 | 10 |
| 1.8 | | | | | | | | | | | 5×5.7 | 11 |
| 2.2 | | | | | | | | | | | 5×5.7 | 12 |
| 2.7 | | | | | | | | | | | 5×5.7 | 14 |
| 3.3 | | | | | | | | | | | 5×5.7 | 16 |
| 3.9 | | | | | | | | | | | 5×5.7 | 18 |
| 4.7 | | | | | | | | | | | 5×5.7 | 20 |
| 5.6 | | | | | | | | | | | 5×5.7 | 22 |
| 6.8 | | | | | | | | | | | 5×5.7 | 24 |
| 8.2 | | | | | | | | | | | 5×5.7 | 26 |
| 10 | 5×5.7 | 26 | 5×5.7 | 26 | 5×5.7 | 26 | 5×5.7 | 26 | 5×5.7 | 26 | 5×5.7 | 29 |
| 12 | | | | | | | | | | | 5×5.7 | 32 |
| 15 | 5×5.7 | 26 | 5×5.7 | 26 | 5×5.7 | 26 | 5×5.7 | 26 | 5×5.7 | 26 | 5×5.7 | 35 |
| 18 | | | | | | | | | | | 5×7.7 | 40 |
| 18 | | | | | | | | | | | 6.3×5.7 | 55 |
| 22 | 5×5.7 | 26 | 5×5.7 | 26 | 5×5.7 | 26 | 5×5.7 | 26 | 5×5.7 | 26 | 5×7.7 | 57 |
| 22 | | | | | | | | | | | 6.3×5.7 | 57 |
| 27 | | | | | | | | | | | 6.3×5.7 | 60 |
| 33 | 5×5.7 | 30 | 5×5.7 | 30 | 5×5.7 | 30 | 5×5.7 | 30 | 6.3×5.7 | 55 | 6.3×7.7 | 72 |
| 33 | | | | | | | | | | | 8×6.2 | 72 |
| 39 | 5×5.7 | 33 | 5×5.7 | 33 | 5×5.7 | 33 | 5×7.7 | 49 | 6.3×5.7 | 61 | 6.3×7.7 | 80 |
| 39 | | | | | | | | | | | 8×6.2 | 80 |
| 47 | 5×5.7 | 37 | 5×5.7 | 37 | 5×5.7 | 37 | 5×7.7 | 54 | 6.3×5.7 | 67 | 6.3×7.7 | 88 |
| 47 | | | | | | | | | | | 8×6.2 | 88 |
| 56 | 5×5.7 | 40 | 5×5.7 | 40 | 5×7.7 | 53 | 5×7.7 | 60 | 6.3×7.7 | 74 | 8×6.2 | 100 |
| 56 | | | | | 6.3×5.7 | 53 | | | 8×6.2 | 74 | | |
| 68 | 5×5.7 | 45 | 5×5.7 | 45 | 5×7.7 | 58 | 6.3×5.7 | 100 | 6.3×7.7 | 105 | 8×7.9 | 120 |
| 68 | | | | | 6.3×5.7 | 58 | | 100 | 8×6.2 | 105 | 10×6.9 | 120 |
| 82 | 5×5.7 | 50 | 6.3×5.7 | 71 | 5×7.7 | 64 | 6.3×7.7 | 115 | 6.3×7.7 | 116 | 8×7.9 | 140 |
| 82 | | | | | 6.3×5.7 | 64 | 8×6.2 | 115 | 8×6.2 | 116 | 10×6.9 | 140 |
| 100 | 5×5.7 | 55 | 6.3×5.7 | 78 | 6.3×5.7 | 70 | 8×6.2 | 160 | 8×7.9 | 160 | 8×7.9 | 150 |
| 100 | | | | | | | | | | | 10×6.9 | 150 |
| 120 | 5×5.7 | 61 | 6.3×5.7 | 85 | 6.3×5.7 | 77 | 6.3×7.7 | 180 | 8×7.9 | 180 | 10×8.4 | 180 |
| 120 | | | | | | | 8×6.2 | 180 | | | | |
| 150 | 6.3×5.7 | 85 | 6.3×5.7 | 85 | 6.3×7.7 | 109 | 8×6.2 | 200 | 8×7.9 | 180 | 10×8.4 | 220 |
| 150 | | | | | 8×6.2 | 109 | | | 10×6.9 | 210 | | |



VMM

■ 标准品一览表

| 电压(V) | 6.3 | | 10 | | 16 | | 25 | | 35 | | 50 | |
|------------------------|---------------|------------------------------------|---------------|------------------------------------|---------------|------------------------------------|---------------|------------------------------------|---------------|------------------------------------|---------------|------------------------------------|
| 项目 容量 (μ F) | 尺寸 D×L(mm) | 纹波电流 (mA r.m.s/ 105°C 120Hz) | 尺寸 D×L(mm) | 纹波电流 (mA r.m.s/ 105°C 120Hz) | 尺寸 D×L(mm) | 纹波电流 (mA r.m.s/ 105°C 120Hz) | 尺寸 D×L(mm) | 纹波电流 (mA r.m.s/ 105°C 120Hz) | 尺寸 D×L(mm) | 纹波电流 (mA r.m.s/ 105°C 120Hz) | 尺寸 D×L(mm) | 纹波电流 (mA r.m.s/ 105°C 120Hz) |
| 180 | 6.3×5.7 | 94 | 6.3×7.7 | 94 | 8×6.2 | 120 | 8×7.9 | 170 | 10×8.4 | 225 | 10×10 | 310 |
| 180 | | | | | | | 10×6.9 | 225 | | | 8×12.5 | 310 |
| 220 | 6.3×5.7 | 103 | 6.3×7.7 | 103 | 8×6.2 | 132 | 10×6.9 | 250 | 10×8.4 | 315 | 10×12.5 | 340 |
| 270 | 6.3×7.7 | 123 | 6.3×7.7 | 163 | | | | 250 | 10×8.4 | 350 | 10×12.5 | 375 |
| 270 | 8×6.2 | 123 | 8×6.2 | 163 | 8×7.9 | 180 | 10×8.4 | 310 | | | | |
| 330 | 8×6.2 | 135 | 8×6.2 | 175 | | | | | 10×10 | 420 | 12.5×13.5 | 415 |
| 330 | 6.3×7.7 | 135 | | | 8×7.9 | 200 | 10×8.4 | 345 | | | 10×14.5 | 415 |
| 390 | 8×6.2 | 166 | 8×7.9 | 196 | 10×6.9 | 220 | | | 10×12.5 | 525 | 12.5×13.5 | 455 |
| 390 | | | 10×6.9 | 196 | | | 10×8.4 | 380 | | | | |
| 470 | 8×7.9 | 200 | 8×7.9 | 210 | 10×8.4 | 295 | 10×10 | 490 | 10×13 | 570 | 12.5×13.5 | 500 |
| 470 | 10×6.9 | 200 | 10×6.9 | 210 | | | | | | | | |
| 560 | 8×7.9 | 231 | 10×8.4 | 253 | 10×8.4 | 325 | 10×12.5 | 580 | 12.5×13.5 | 586 | 12.5×14.5 | 550 |
| 560 | 10×6.9 | 231 | | | | | | | | | | |
| 680 | 8×7.9 | 254 | 10×8.4 | 275 | 10×10 | 420 | 10×12.5 | 640 | 12.5×13.5 | 640 | 12.5×16.5 | 610 |
| 680 | 10×6.9 | 254 | | | | | | | | | | |
| 820 | 10×8.4 | 304 | 10×8.4 | 345 | 10×10 | 465 | 12.5×13.5 | 710 | 12.5×14.5 | 710 | 16×16.5 | 680 |
| 820 | 8×10 | 304 | | | | | | | | | | |
| 1000 | 10×8.4 | 362 | 10×10 | 450 | 10×12.5 | 580 | 12.5×13.5 | 780 | 12.5×16.5 | 780 | 16×16.5 | 680 |
| 1000 | 8×10 | 362 | | | | | | | | | | |
| 1200 | 8×12.5 | 430 | 10×12.5 | 540 | 10×13 | 600 | 12.5×13.5 | 860 | 12.5×16.5 | 850 | 18×17 | 750 |
| 1200 | 10×10 | 430 | | | | | | | | | | |
| 1500 | 10×12.5 | 520 | 10×13 | 600 | 12.5×13.5 | 665 | 12.5×16.5 | 925 | 16×16.5 | 925 | 16×21 | 830 |
| 1800 | 10×12.5 | 520 | 12.5×13.5 | 730 | 12.5×13.5 | 730 | 12.5×16.5 | 1010 | 16×16.5 | 1010 | 18×21 | 910 |
| 2200 | 10×13 | 570 | 12.5×13.5 | 800 | 12.5×14.5 | 860 | 16×16.5 | 1100 | 18×17 | 1100 | | |
| 2700 | 10×16.5 | 686 | 12.5×13.5 | 810 | 12.5×16.5 | 980 | 16×16.5 | 1230 | 18×21 | 1230 | | |
| 2700 | 12.5×13.5 | 686 | | | | | | | | | | |
| 3300 | 10×16.5 | 760 | 12.5×16.5 | 970 | 16×16.5 | 1130 | 18×17 | 1350 | | | | |
| 3300 | 12.5×13.5 | 760 | | | | | | | | | | |
| 3900 | 12.5×14.5 | 830 | 12.5×16.5 | 1060 | 16×16.5 | 1250 | 18×21 | 1480 | | | | |
| 4700 | 12.5×16.5 | 910 | 16×16.5 | 1360 | 18×17 | 1580 | 18×21 | 1650 | | | | |



VMM

■ 标准品一览表

| 电压(V) | 63 | | 80 | | 100 | | 160 | | 200 | | 250 | |
|------------------------|---------------|------------------------------------|---------------|------------------------------------|---------------|------------------------------------|---------------|------------------------------------|---------------|------------------------------------|---------------|------------------------------------|
| 项目 容量 (μ F) | 尺寸 D×L(mm) | 纹波电流 (mA r.m.s/ 105°C 120Hz) | 尺寸 D×L(mm) | 纹波电流 (mA r.m.s/ 105°C 120Hz) | 尺寸 D×L(mm) | 纹波电流 (mA r.m.s/ 105°C 120Hz) | 尺寸 D×L(mm) | 纹波电流 (mA r.m.s/ 105°C 120Hz) | 尺寸 D×L(mm) | 纹波电流 (mA r.m.s/ 105°C 120Hz) | 尺寸 D×L(mm) | 纹波电流 (mA r.m.s/ 105°C 120Hz) |
| 0.47 | 5×5.7 | 4 | 5×5.7 | 4 | 5×5.7 | 4 | | | | | | |
| 1.0 | 5×5.7 | 8 | 5×5.7 | 8 | 5×5.7 | 8 | 5×5.7 | 15 | 5×5.7 | 15 | 5×5.7 | 15 |
| 1.2 | 5×5.7 | 9 | 5×5.7 | 9 | 5×5.7 | 9 | 5×5.7 | 18 | 5×5.7 | 18 | 5×5.7 | 18 |
| 1.5 | 5×5.7 | 10 | 5×5.7 | 10 | 5×5.7 | 10 | 5×5.7 | 18 | 5×5.7 | 18 | 5×7.7 | 22 |
| 1.8 | 5×5.7 | 11 | 5×5.7 | 11 | 5×5.7 | 11 | 5×5.7 | 18 | 5×7.7 | 22 | 5×7.7 | 22 |
| 2.2 | 5×5.7 | 12 | 5×5.7 | 12 | 5×5.7 | 12 | 5×7.7 | 20 | 5×7.7 | 22 | 6.3×5.7 | 22 |
| 2.7 | 5×5.7 | 14 | 5×5.7 | 14 | 5×5.7 | 14 | 5×7.7 | 22 | 6.3×5.7 | 31 | 6.3×7.7 | 35 |
| 3.3 | 5×5.7 | 16 | 5×5.7 | 16 | 5×5.7 | 16 | 6.3×5.7 | 22 | 6.3×5.7 | 35 | 6.3×7.7 | 35 |
| 3.3 | | | | | | | | | | | 8×6.2 | 35 |
| 3.9 | 5×5.7 | 18 | 5×5.7 | 18 | 5×5.7 | 18 | 6.3×5.7 | 22 | 6.3×7.7 | 40 | 6.3×7.7 | 40 |
| 3.9 | | | | | | | | | 8×6.2 | 40 | 8×6.2 | 40 |
| 4.7 | 5×5.7 | 20 | 5×5.7 | 20 | 5×5.7 | 20 | 6.3×7.7 | 28 | 6.3×7.7 | 45 | 8×6.2 | 50 |
| 4.7 | | | | | | | 8×6.2 | 28 | 8×6.2 | 45 | | |
| 5.6 | 5×5.7 | 22 | 5×5.7 | 22 | 5×7.7 | 22 | 6.3×7.7 | 40 | 8×6.2 | 50 | 8×7.9 | 55 |
| 5.6 | | | | | | | 8×6.2 | 40 | | | 10×6.9 | 55 |
| 6.8 | 5×5.7 | 24 | 5×5.7 | 24 | 5×7.7 | 24 | 8×6.2 | 45 | 8×7.9 | 65 | 8×7.9 | 65 |
| 6.8 | | | | | | | | | | | 10×6.9 | 65 |
| 8.2 | 5×5.7 | 26 | 5×7.7 | 26 | 6.3×5.7 | 26 | 8×6.2 | 51 | 8×7.9 | 65 | | |
| 8.2 | | | | | | | | | 10×6.9 | 65 | 10×8.4 | 80 |
| 10 | 5×5.7 | 29 | 5×7.7 | 28 | 6.3×5.7 | 28 | 8×7.9 | 56 | 8×7.9 | 72 | | |
| 10 | | | | | | | 10×6.9 | 56 | 10×6.9 | 72 | 10×8.4 | 95 |
| 12 | 5×7.7 | 45 | 6.3×5.7 | 31 | 6.3×7.7 | 31 | 8×7.9 | 62 | 8×10 | 90 | 10×8.4 | 105 |
| 12 | 6.3×5.7 | 45 | | | 8×6.2 | 31 | 10×6.9 | 62 | 10×8.4 | 90 | | |
| 15 | 5×7.7 | 50 | 6.3×7.7 | 38 | 6.3×7.7 | 34 | 8×10 | 87 | 10×8.4 | 105 | 10×10 | 125 |
| 15 | 6.3×5.7 | 50 | 8×6.2 | 38 | 8×6.2 | 34 | 10×8.4 | 87 | | | | |
| 18 | 6.3×5.7 | 55 | 6.3×7.7 | 44 | 8×6.2 | 44 | 10×8.4 | 95 | 10×10 | 125 | 10×12.5 | 140 |
| 18 | | | 8×6.2 | 44 | | | | | | | | |
| 22 | 6.3×5.7 | 60 | 6.3×7.7 | 49 | 8×7.9 | 60 | 10×10 | 110 | 10×12.5 | 180 | 10×12.5 | 180 |
| 22 | | | 8×6.2 | 60 | 10×6.9 | 60 | | | | | | |
| 27 | 6.3×7.7 | 65 | 8×6.2 | 65 | 8×7.9 | 78 | 10×12.5 | 150 | 10×13 | 225 | 10×14.5 | 225 |
| 27 | 8×6.2 | 65 | | | 10×6.9 | 78 | | | | | | |
| 33 | 6.3×7.7 | 72 | 8×7.9 | 78 | 10×8.4 | 86 | 10×12.5 | 165 | 10×14.5 | 250 | 12.5×13.5 | 270 |
| 33 | 8×6.2 | 72 | 10×6.9 | 78 | | | | | | | | |
| 39 | 8×6.2 | 80 | 8×7.9 | 86 | 10×8.4 | 110 | 10×13 | 185 | 12.5×13.5 | 300 | 12.5×14.5 | 300 |
| 39 | | | 10×6.9 | 86 | | | | | | | | |
| 47 | 8×7.9 | 88 | 10×8.4 | 110 | 10×8.4 | 140 | 12.5×13.5 | 300 | 12.5×13.5 | 330 | 12.5×16.5 | 375 |
| 47 | 10×6.9 | 88 | | | | | | | | | | |
| 56 | 8×7.9 | 98 | 10×8.4 | 140 | 10×10 | 170 | 12.5×13.5 | 330 | 12.5×14.5 | 340 | 12.5×16.5 | 375 |
| 56 | 10×6.9 | 98 | | | | | | | | | | |



VMM

■ 标准品一览表

| 电压(V) | 63 | | 80 | | 100 | | 160 | | 200 | | 250 | |
|------------------------|---------------|------------------------------------|---------------|------------------------------------|---------------|------------------------------------|---------------|------------------------------------|---------------|------------------------------------|---------------|------------------------------------|
| 项目 容量 (μ F) | 尺寸 D×L(mm) | 纹波电流 (mA r.m.s/ 105°C 120Hz) | 尺寸 D×L(mm) | 纹波电流 (mA r.m.s/ 105°C 120Hz) | 尺寸 D×L(mm) | 纹波电流 (mA r.m.s/ 105°C 120Hz) | 尺寸 D×L(mm) | 纹波电流 (mA r.m.s/ 105°C 120Hz) | 尺寸 D×L(mm) | 纹波电流 (mA r.m.s/ 105°C 120Hz) | 尺寸 D×L(mm) | 纹波电流 (mA r.m.s/ 105°C 120Hz) |
| 68 | 8×7.9 | 110 | 10×8.4 | 155 | 10×12.5 | 200 | 12.5×14.5 | 365 | 12.5×16.5 | 375 | 16×16.5 | 450 |
| 68 | 10×6.9 | 110 | | | | | | | | | | |
| 82 | 10×8.4 | 155 | 10×10 | 180 | 10×13 | 250 | 12.5×16.5 | 440 | 16×16.5 | 450 | 16×16.5 | 450 |
| 100 | 10×8.4 | 180 | 10×10 | 200 | 12.5×13.5 | 310 | 12.5×16.5 | 440 | 16×16.5 | 480 | 18×17 | 500 |
| 120 | 10×10 | 200 | 10×12.5 | 250 | 12.5×13.5 | 320 | 16×16.5 | 525 | 18×17 | 575 | 16×21 | 540 |
| 150 | 10×12.5 | 250 | 12.5×13.5 | 310 | 12.5×13.5 | 320 | 18×17 | 630 | 16×21 | 575 | 18×21 | 670 |
| 180 | 10×12.5 | 275 | 12.5×13.5 | 320 | 12.5×16.5 | 390 | 18×17 | 630 | 18×21 | 690 | | |
| 220 | 12.5×13.5 | 320 | 12.5×13.5 | 320 | 12.5×16.5 | 480 | 18×21 | 835 | | | | |
| 270 | 12.5×13.5 | 350 | 12.5×14.5 | 390 | 16×16.5 | 530 | | | | | | |
| 330 | 12.5×13.5 | 390 | 12.5×16.5 | 480 | 16×16.5 | 590 | | | | | | |
| 390 | 12.5×16.5 | 440 | 16×16.5 | 530 | 18×17 | 700 | | | | | | |
| 470 | 12.5×16.5 | 480 | 16×16.5 | 590 | 16×21 | 700 | | | | | | |
| 560 | 16×16.5 | 550 | 18×17 | 700 | 18×21 | 850 | | | | | | |
| 680 | 16×16.5 | 610 | 16×21 | 700 | | | | | | | | |
| 820 | 18×17 | 730 | 18×21 | 850 | | | | | | | | |
| 1000 | 18×17 | 750 | | | | | | | | | | |
| 1200 | 16×21 | 830 | | | | | | | | | | |
| 1500 | 18×21 | 910 | | | | | | | | | | |

VMM

■ 标准品一览表

| 电压(V) | 350 | | 400 | | 450 | | 500 | |
|-------------------------|---------------|------------------------------------|---------------|------------------------------------|---------------|------------------------------------|---------------|------------------------------------|
| 项目 容量 (μF) | 尺寸 D×L(mm) | 纹波电流 (mA r.m.s/ 105°C 120Hz) | 尺寸 D×L(mm) | 纹波电流 (mA r.m.s/ 105°C 120Hz) | 尺寸 D×L(mm) | 纹波电流 (mA r.m.s/ 105°C 120Hz) | 尺寸 D×L(mm) | 纹波电流 (mA r.m.s/ 105°C 120Hz) |
| 1.0 | 5×7.7 | 18 | 5×7.7 | 18 | 6.3×5.7 | 20 | 6.3×7.7 | 20 |
| 1.2 | 5×7.7 | 20 | 6.3×5.7 | 20 | 6.3×7.7 | 24 | 6.3×7.7 | 20 |
| 1.2 | 6.3×5.7 | 20 | | | 8×6.2 | 24 | | |
| 1.5 | 6.3×5.7 | 25 | 6.3×7.7 | 28 | 6.3×7.7 | 28 | 8×6.2 | 20 |
| 1.5 | | | | | 8×6.2 | 31 | | |
| 1.8 | 6.3×7.7 | 31 | 6.3×7.7 | 31 | 8×6.2 | 37 | 8×7.9 | 25 |
| 1.8 | 8×6.2 | 31 | 8×6.2 | 31 | | | | |
| 2.2 | 6.3×7.7 | 40 | 6.3×7.7 | 40 | 8×7.9 | 44 | 8×7.9 | 30 |
| 2.2 | 8×6.2 | 44 | 8×6.2 | 44 | 10×6.9 | 44 | | |
| 2.7 | 8×6.2 | 48 | 8×6.2 | 48 | 8×7.9 | 48 | 8×10 | 36 |
| 2.7 | | | | | 10×6.9 | 48 | | |
| 3.3 | 10×6.9 | 55 | 8×7.9 | 55 | 8×7.9 | 55 | 10×8.4 | 36 |
| 3.3 | | | 10×6.9 | 55 | 10×6.9 | 55 | | |
| 3.9 | 8×7.9 | 62 | 8×7.9 | 62 | 10×8.4 | 66 | 8×12.5 | 44 |
| 3.9 | 10×6.9 | 62 | 10×6.9 | 62 | | | 10×10 | 44 |
| 4.7 | 8×7.9 | 70 | 10×6.9 | 70 | 10×8.4 | 72 | 8×14.5 | 50 |
| 4.7 | 10×6.9 | 70 | | | | | 10×10 | 50 |
| 5.6 | 8×10 | 84 | 8×10 | 84 | 10×10 | 88 | 10×12.5 | 55 |
| 5.6 | 10×8.4 | 84 | 10×8.4 | 84 | | | | |
| 6.8 | 8×10 | 84 | 8×12.5 | 88 | 10×12.5 | 105 | 10×12.5 | 60 |
| 6.8 | 10×8.4 | 88 | 10×8.4 | 88 | | | | |
| 8.2 | 8×12.5 | 105 | 10×10 | 105 | 10×12.5 | 120 | 10×13 | 66 |
| 8.2 | 10×10 | 105 | | | | | | |
| 10 | 10×10 | 105 | 10×12.5 | 120 | 10×13 | 126 | 10×14.5 | 72 |
| 10 | | | | | | | 12.5×13.5 | 86 |
| 12 | 10×12.5 | 126 | 10×12.5 | 126 | 12.5×13.5 | 150 | 12.5×14.5 | 95 |
| 15 | 10×13 | 132 | 12.5×13.5 | 150 | 12.5×13.5 | 150 | 12.5×14.5 | 105 |
| 18 | 10×14.5 | 145 | 12.5×13.5 | 150 | 12.5×14.5 | 165 | 12.5×16.5 | 125 |
| 22 | 12.5×13.5 | 150 | 12.5×14.5 | 165 | 12.5×16.5 | 200 | 16×16.5 | 150 |
| 27 | 12.5×14.5 | 165 | 12.5×16.5 | 182 | 16×16.5 | 234 | 16×16.5 | 165 |
| 33 | 12.5×16.5 | 182 | 12.5×16.5 | 200 | 16×16.5 | 258 | 18×17 | 180 |
| 39 | 12.5×16.5 | 200 | 16×16.5 | 234 | 18×17 | 310 | 16×21 | 215 |
| 47 | 16×16.5 | 258 | 16×16.5 | 258 | 16×21 | 340 | 18×21 | 258 |
| 56 | 18×17 | 310 | 18×17 | 310 | 18×21 | 380 | | |
| 68 | 18×17 | 340 | 16×21 | 340 | | | | |
| 82 | 18×21 | 380 | 18×21 | 380 | | | | |
| 100 | 18×21 | 410 | | | | | | |

X-ON Electronics

Largest Supplier of Electrical and Electronic Components

Click to view similar products for [Aluminum Electrolytic Capacitors - SMD category](#):

Click to view products by [Ymin manufacturer](#):

Other Similar products are found below :

[EEV-FK1E332W](#) [ULV2H4R7MNL1GS](#) [ULV2H1R8MNL1GS](#) [22927](#) [NRWA331M63V12.5X20TBF](#) [HUB1800-S](#) [UCX1V471MNQ1MS](#)
[RJ4-400V100MI5#-T4](#) [UCX1V681MNQ1MS](#) [RYK-50V101MG5TT-FL](#) [UCX1V681MNS1MS](#) [UCX1V221MCS1GS](#) [UCX1V101MCS1GS](#)
[107AXZ016MQ5](#) [EXV107M025A9HAA](#) [UCD1V100MCQ1GS](#) [UCX1H471MNQ1MS](#) [107SML016M](#) [EDK226M035A9DAA](#)
[EDT476M050S9MAA](#) [EEV-HA0J152P](#) [EEV-HA1A471UP](#) [EEV-HA1C220WR](#) [EEV-HA1C471P](#) [EEV-HA1E331UP](#) [EEV-HA1H3R3R](#)
[EEV-HA1H470UP](#) [EEV-HA1HR47R](#) [EEV-HA1V470UP](#) [EEV-HB0G221P](#) [EEV-HB0J330R](#) [EEV-HB1E220P](#) [UCX1H821MNQ1MS](#)
[UCX1H561MNS1MS](#) [UCX1H471MNS1MS](#) [UCX1H102MNQ1MS](#) [UCX1E332MNS1MS](#) [HZA277M035G24T-F](#) [TYEH1V337H10MTR](#)
[EDT107M035S9MAA](#) [BMVK100ADA330MF60G](#) [BMVK160ADA4R7MD60G](#) [NACK222M10V12.5X14TR13F](#) [NRLF332M25V22X20F](#)
[NRSZ102M16V10X22TBF](#) [EEV-HA1H330UP](#) [MAL215097513E3](#) [UCZ1V681MNQ1MS](#) [EEE-FT1C122UP](#) [EEE-FT1C821UP](#)