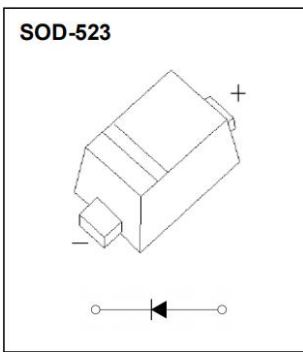


# 1N4148WT



## MARKING: T4



### 特征 Features

- 小尺寸封装 Small Package
- 低反向电流 Low Reverse Current
- 开关速度快 Fast Switching Speed
- 适用于自动插件的理想的表贴封装 Surface Mount Package Ideally Suited for Automatic Insertion

### 机械数据 Mechanical Data

- 封装: SOD-523 封装 SOD-523 Small Outline Plastic Package
- 极性: 色环端为负极 Polarity: Color band denotes cathode end
- 环氧树脂UL 易燃等级 Epoxy UL: 94V-0
- 安装位置: 任意 Mounting Position: Any

极限值和温度特性(TA = 25°C 除非另有规定)

### Maximum Ratings & Thermal Characteristics (Ratings at 25°C ambient temperature unless otherwise specified.)

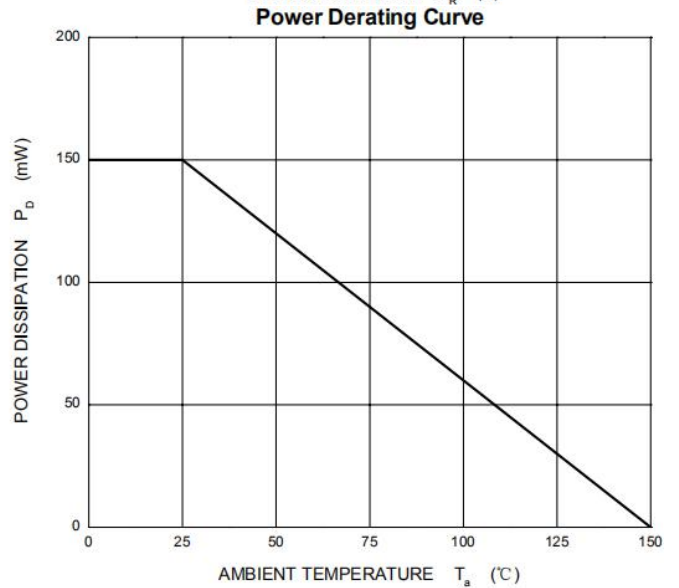
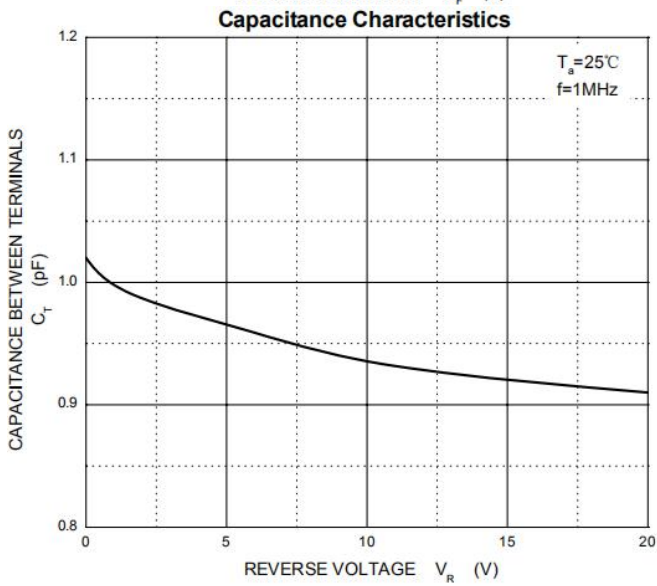
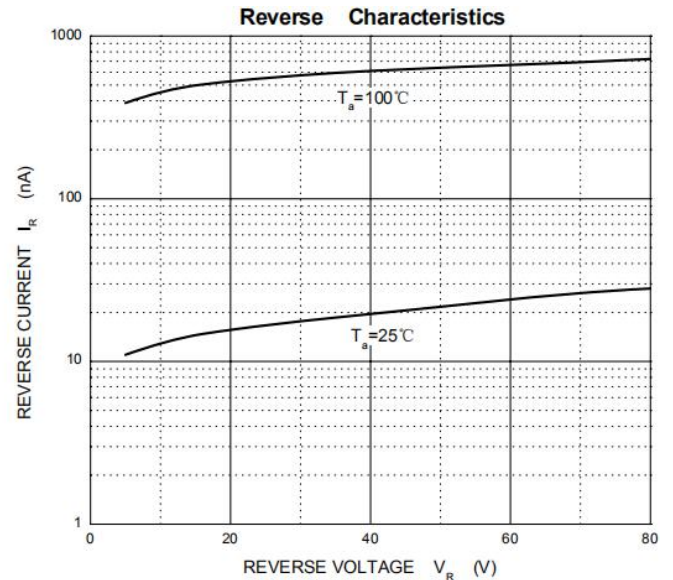
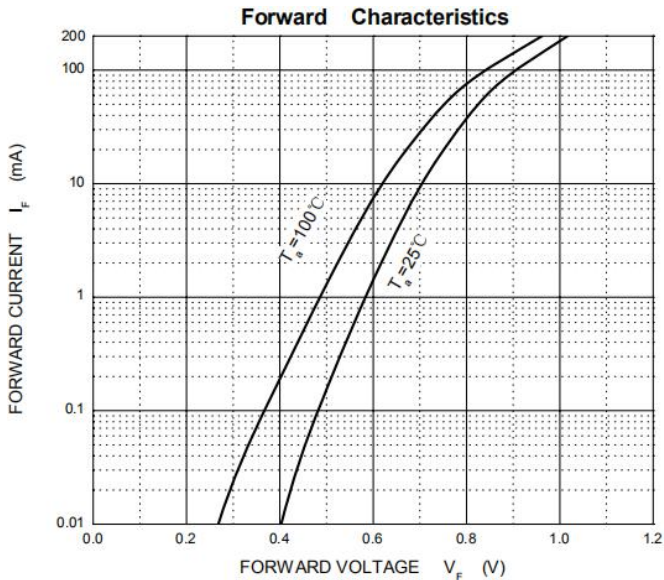
参数 Parameters	符号 Symbol	数值 Value	单位 Unit
反向不重复峰值电压 Non-Repetitive Peak Reverse Voltage	V <sub>RM</sub>	100	V
反向电压 Reverse Voltage	V <sub>R</sub>	75	V
峰值重复反向电压 Peak Repetitive Reverse Voltage	V <sub>RRM</sub>		
反向峰值工作电压 Working Peak Reverse Voltage	V <sub>RWM</sub>	53	V
均方根反向电压 RMS Reverse Voltage	V <sub>R(RMS)</sub>		
平均整流输出电流 Average Rectified Output Current	I <sub>O</sub>	150	mA
正向连续电流 Forward Continuous Current	I <sub>FM</sub>	300	mA
尖峰正向不重复浪涌电流 Non-repetitive Peak Forward Surge Current @t= 8.3ms	I <sub>FSM</sub>	2.0	A
功率消耗 Power Dissipation	P <sub>d</sub>	150	mW
结温 Junction temperature	T <sub>j</sub>	150	°C
存储温度 Storage temperature range	T <sub>STG</sub>	-55-+150	°C
热阻 Thermal Resistance from Junction to Ambient	R <sub>θJA</sub>	833	°C/W

### 电特性 Electrical Characteristics (Ratings at 25°C ambient temperature unless otherwise specified.)

符号 Symbols	参数 Parameter	测试条件 Test Condition	界限 Limits		单位 Unit
			Min	Max	
V(BR)	反向击穿电压 Breakdown Voltage	I <sub>R</sub> =1uA	75		V
I <sub>R</sub>	反向漏电电流 Reverse Leakage Current	V <sub>R</sub> =20V	---	25	nA
		V <sub>R</sub> =75	---	1	uA
V <sub>F</sub>	正向电压 Forward Voltage	I <sub>F</sub> =1mA	---	0.715	V
		I <sub>F</sub> =10mA	---	0.855	
		I <sub>F</sub> =50mA		1	
		I <sub>F</sub> =150mA		1.25	
T <sub>RR</sub>	反向恢复时间 Reverse Recovery Time	I <sub>F</sub> = I <sub>R</sub> = 10mA,	---	4	nS
		I <sub>rr</sub> =0.1*I <sub>R</sub> ,			
		R <sub>L</sub> =100Ω,			
C	结电容 Capacitance	V <sub>R</sub> =0V, f=1MHZ	---	2	pF

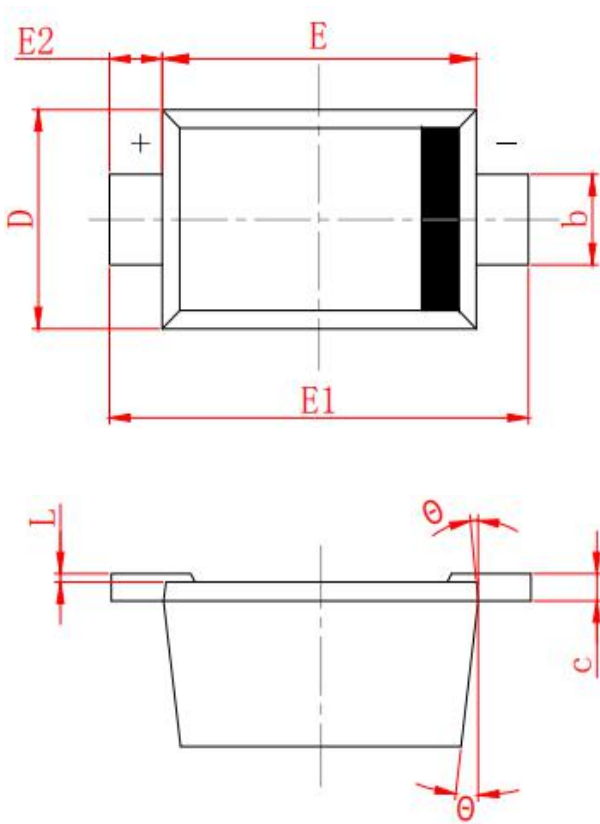
# 1N4148WT

## 典型特性 Typical Characteristics



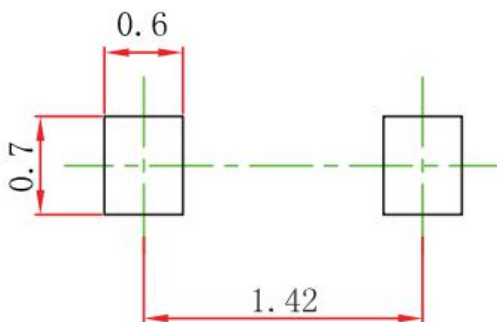
# 1N4148WT

## SOD-523封装外形尺寸图 SOD-523 Package Outline Dimensions



SYMBOL	MILLIMETER	
	MIN	MAX
A	0.530	0.730
A1	0.500	0.700
b	0.280	0.380
c	0.080	0.150
D	0.750	0.850
E	1.100	1.300
E1	1.500	1.700
E2	0.200 REF	
L	0.010	0.070
$\theta$	7° REF	

## SOD-523焊盘设计参考 SOD-523 Suggested Pad Layout



### Note:

1. Controlling dimension: in millimeters.
2. General tolerance:  $\pm 0.05$  mm.
3. The pad layout is for reference purposes only.

## X-ON Electronics

Largest Supplier of Electrical and Electronic Components

*Click to view similar products for* [Diodes - General Purpose, Power, Switching category:](#)

*Click to view products by* [Yongyutai Electronics manufacturer:](#)

Other Similar products are found below :

[MCL4151-TR3](#) [MMBD3004S-13-F](#) [RD0306T-H](#) [BAV17-TR](#) [BAV19-TR](#) [1N3611](#) [NTE156A](#) [NTE574](#) [NTE6244](#) [1SS181-TP](#)  
[1SS400CST2RA](#) [SDAA13](#) [SHN2D02FUTW1T1G](#) [LS4151GS08](#) [1N4449](#) [1N456A](#) [1N4934-E3/73](#) [1N914B](#) [1N914BTR](#) [1SS226-TP](#)  
[RFUH20TB3S](#) [D291S45T](#) [BAV300-TR](#) [BAW56DWQ-7-F](#) [BAW75-TAP](#) [MM230L-CAA](#) [IDW40E65D1](#) [JAN1N3600](#) [JAN1N4153-1](#)  
[JAN1N4454-1](#) [JAN1N4454UR-1](#) [LL4151-GS18](#) [053684A](#) [SMMSD4148T3G](#) [707803H](#) [NSVDAN222T1G](#) [CDSZC01100-HF](#) [LL4150-M-08](#)  
[1N4454-TR](#) [BAV199E6433HTMA1](#) [BAV70HDW-7](#) [BAS28-7](#) [JANTX1N6640](#) [BAW56HDW-13](#) [BAS28 TR](#) [VS-HFA04SD60STR-M3](#)  
[NSVM1MA152WKT1G](#) [1SS388-TP](#) [RGP30D-E3/73](#) [VS-8EWF02S-M3](#)