

78M12 Three-terminal positive voltage regulator

FEATURES:

※ Maximum output current

IOM: 1A

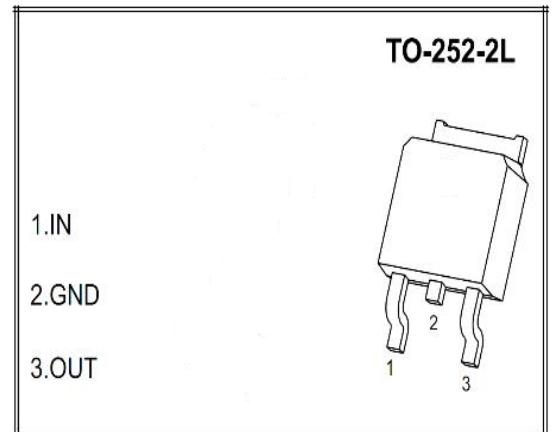
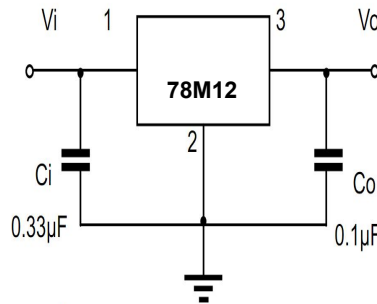
※ Output voltage

VO: 12V

※ Continuous total dissipation

PD: 1.25W

TYPICAL APPLICATION:



Absolute Maximum ratings (Operating temperature range applies unless otherwise specified)

Parameter	Symbol	Value	Unit
Input Voltage	Vi	35	V
Thermal Resistance From Junction to air	RθJA	80	°C/W
Operating Junction Temperature Range	TOPR	-25~+125	°C
Storage Temperature Range	TSTG	-55~+150	°C

Electrical Characteristics At Specified Virtual Junction Temperature

(Vi=19V, Io=350mA, Ci=0.33µF, Co=0.1µF. Unless Otherwise Specified)

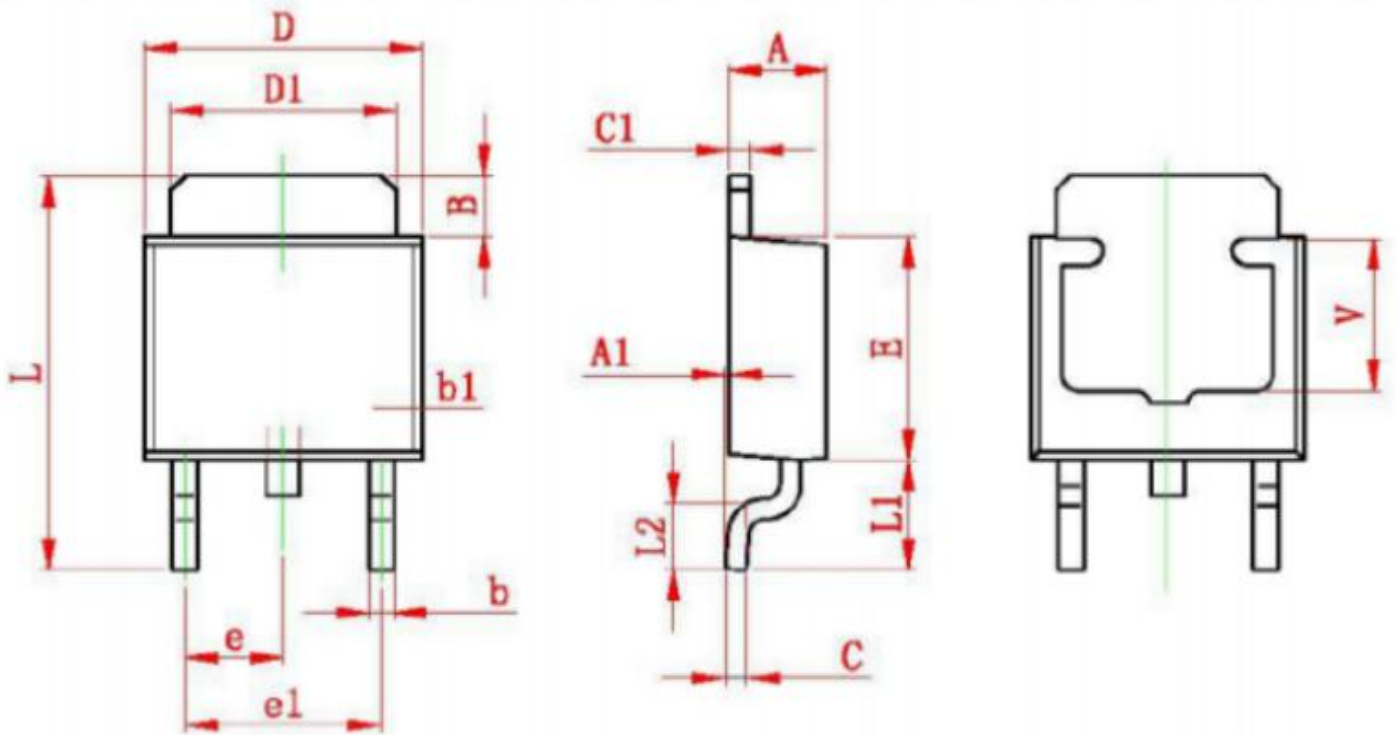
Parameter	Symbol	Test Condition	Min	Typ	Max	Unit	
Output voltage	VO	25°C	11.5	12	12.5	V	
		14.5V≤Vi≤27V, Io=5mA-350mA	-25~+125	11.4	12	12.6	V
Load Regulation	ΔVO	Io=5mA-0.5A, Vi=19V	25°C		25	240	mV
		Io=5mA-200mA, Vi=19V	25°C		10	120	mV
Line Regulation	ΔVO	14.5V≤Vi≤30V, Io=200mA	25°C		10	100	mV
		16V≤Vi≤30V, Io=200mA	25°C		3	50	mV
Quiescent Current	Iq		25°C		4.6	6	mA
Quiescent Current Change	ΔIq	14.5V≤Vi≤30V, Io=200mA	-25~+125			0.8	mA
		5mA≤Io≤350mA	-25~+125			0.5	mA
Output Noise Voltage	VN	10Hz≤f≤100KHz	25°C		75	200	µV/Vo
Ripple Rejection	Rr	15V≤Vi≤25V, f=120Hz, Io=300mA	-25~+125	55	80		dB
Dropout Voltage	Vd	Io=350mA	25°C		2	2.5	V
Short Circuit Current	Isc	Vi=19V	25°C		240		mA
Peak Current	IPK		25°C		0.7		A

Note :

Bypass Capacitors are Recommended For Optimum Stability and Transient Response and Should be located as Close as Possible to the Regulators

78M12

Package Dimensions:



Symbol	Dimensions In Millimeters		Dimensions In Inches	
	Min	Max	Min	Max
A	2.200	2.400	0.087	0.094
A1	0.000	0.127	0.000	0.005
B	1.350	1.650	0.053	0.065
b	0.500	0.700	0.020	0.028
b1	0.700	0.900	0.028	0.035
c	0.430	0.580	0.017	0.023
c1	0.430	0.580	0.017	0.023
D	6.350	6.650	0.250	0.262
D1	5.200	5.400	0.205	0.213
E	5.400	5.700	0.213	0.224
e	2.300 TYP		0.091 TYP	
e1	4.500	4.700	0.177	0.185
L	9.500	9.900	0.374	0.390
L1	2.550	2.900	0.100	0.114
L2	1.400	1.780	0.055	0.070
V	3.80 REF		0.150 REF	

X-ON Electronics

Largest Supplier of Electrical and Electronic Components

Click to view similar products for [Linear Voltage Regulators](#) category:

Click to view products by [Yongyutai Electronics](#) manufacturer:

Other Similar products are found below :

[LV5684PVD-XH](#) [MCDTSA6-2R](#) [L7815ACV-DG](#) [LV56801P-E](#) [UA7805CKC](#) [714954EB](#) [ZMR500QFTA](#) [BA033LBSG2-TR](#)
[NCV78M05ABDTRKG](#) [LV5680P-E](#) [L79M05T-E](#) [L78LR05D-MA-E](#) [NCV317MBTG](#) [NTE7227](#) [MP2018GZD-33-P](#) [MP2018GZD-5-P](#)
[LV5680NPVC-XH](#) [ZTS6538SE](#) [UA78L09CLP](#) [UA78L09CLPR](#) [CAT6221-PPTD-GT3](#) [MC78M09CDTRK](#) [NCV51190MNTAG](#)
[BL1118CS8TR1833](#) [BL8563CKETR18](#) [BL8077CKETR33](#) [BL9153-33CC3TR](#) [BL9161G-15BADRN](#) [BL9161G-28BADRN](#)
[BRCO7530MMC](#) [CJ7815B-TFN-ARG](#) [LM317C](#) [GM7333K](#) [GM7350K](#) [XC6206P332MR](#) [HT7533](#) [LM7912S/TR](#) [LT1764S/TR](#) [LM7805T](#)
[LM338T](#) [LM1117IMP-3.3/TR](#) [HT1117AM-3.3](#) [HT7550S](#) [AMS1117-3.3](#) [HT7150S](#) [78L12](#) [HT7550](#) [HT7533-1](#) [HXY6206I-2.5](#) [HT7133](#)