

### P-Channel 20-V(D-S) MOSFET

V(BR)DSS	RDS(on)MAX	ID
-20 V	120mΩ@-4.5V	-2A
	150mΩ@-2.5V	

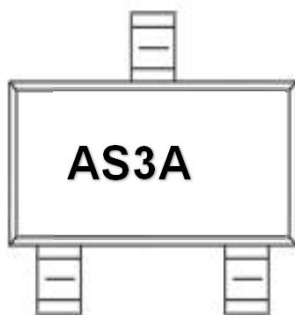
#### FEATURE

- ※ TrenchFET Power MOSFET
- ※ ESD Protected 2.0KV

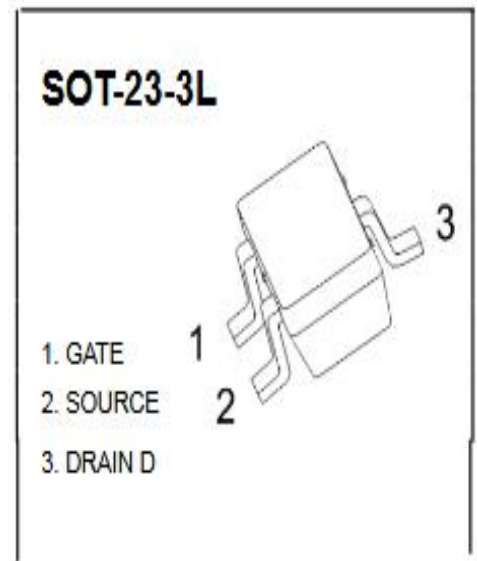
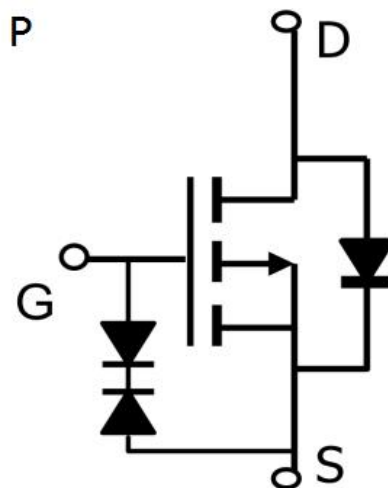
#### APPLICATION

- ※ Load Switch for Portable Devices
- ※ DC/DC Converter

#### MARKING



#### Equivalent Circuit



#### Maximum ratings ( Ta=25°C unless otherwise noted)

Parameter	Symbol	Value	Unit
Drain-Source Voltage	VDS	-20	V
Gate-Source Voltage	VGS	±12	
Continuous Drain Current	ID	-2	A
Pulsed Diode Current	IDM	-18	
Power Dissipation	PD	1.4	W
Thermal Resistance from Junction to Ambient (t≤5s)	RθJA	125	°C/W
Operating Junction	TJ	150	°C
Storage Temperature	TSTG	-55~+150	

### MOSFET ELECTRICAL CHARACTERISTICS

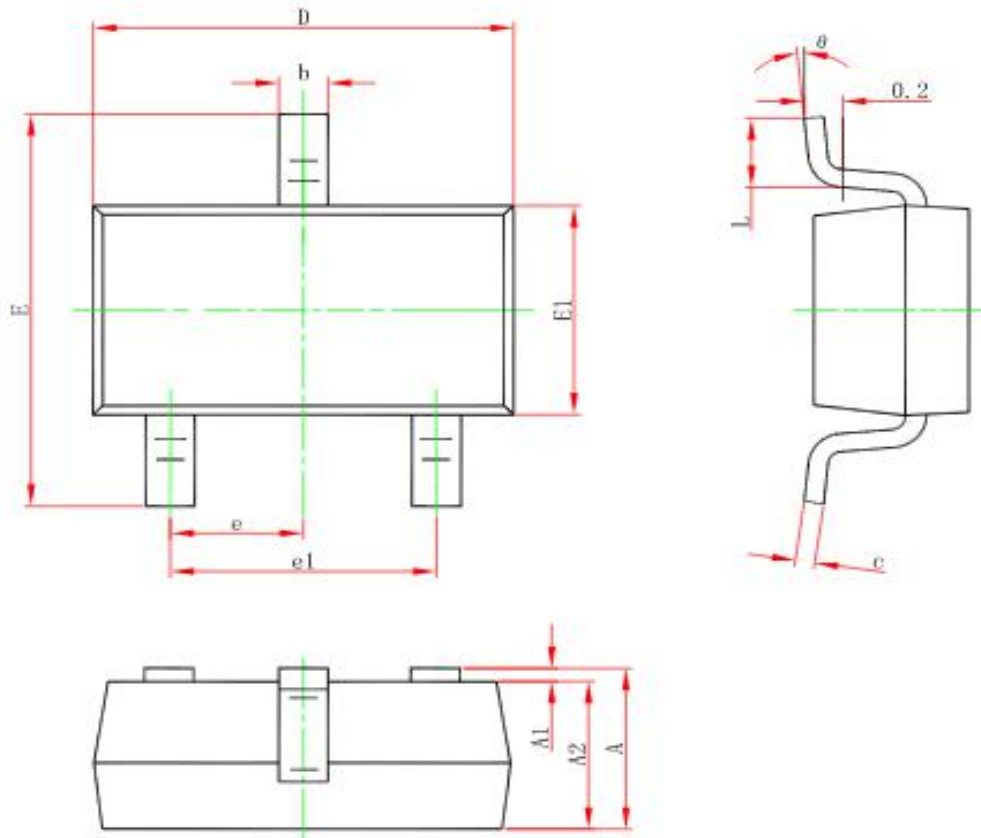
#### Static Electrical Characteristics (Ta = 25 °C Unless Otherwise Noted)

Parameter	Symbol	Test Condition	Min	Typ	Max	Unit
<b>Static</b>						
Drain-source breakdown voltage	V(BR)DSS	VGS = 0V, ID = -250μA	-20			V
Gate-source threshold voltage	VGS(th)	VDS =VGS, ID = -250μA	-0.4		-1	V
Gate-source leakage	IGSS	VDS =0V, VGS = ±12V			±10	μA
Zero gate voltage drain current	IDSS	VDS = -20V, VGS =0V			-1	μA
Drain-source on-state resistancea	RDS(on)	VGS = -4.5V, ID = -2.5A		59	120	mΩ
		VGS = -2.5V, ID = -2A		72	150	mΩ
Forward transconductancea	gfs	VDS = -4.5V, ID = -2.5A		7		S
Diode forward voltage	VSD	IS=1A,VGS=0V		-0.8	-1.2	V
<b>Dynamic</b>						
Input capacitance	Ciss	VDS = -4.5V,VGS =0V, f=1MHz		325		pF
Output capacitance	Coss			63		pF
Reverse transfer capacitanceb	Crss			37		pF
Total gate charge	Qg	VDS = -10V,VGS = -4.5V, ID = --2A		3.2		nC
Gate-source charge	Qgs			0.6		nC
Gate-drain charge	Qgd			0.9		nC
Gate resistance	Rg	f=1MHz		11.2		Ω
<b>Switchingb</b>						
Turn-on delay time	td(on)	VDD= -10V RL=3Ω, ID ≈ -1A, VGEN=- 4.5V,Rg=3Ω		11		ns
Rise time	tr			5.5		ns
Turn-off delay time	td(off)			22		ns
Fall time	tf			8		ns
Body Diode Reverse Recovery Time	trr	If=-2A, dI/dt=100A/us				ns
Body Diode Reverse Recovery Charge	grr	If=-2A, dI/dt=100A/us				nC

**Note :**

1. Repetitive Rating : Pulse width limited by maximum junction temperature.
2. Surface Mounted on FR4 Board, t < 5 sec.
3. Pulse Test : Pulse Width≤300μs, Duty Cycle ≤ 2%.
4. Guaranteed by design, not subject to production testing.

**SOT-23-3L PACKAGE OUTLINE DIMENSIONS**



Symbol	Dimensions In Millimeters		Dimensions In Inches	
	Min.	Max.	Min.	Max.
A	1.050	1.250	0.041	0.049
A1	0.000	0.100	0.000	0.004
A2	1.050	1.150	0.041	0.045
b	0.300	0.500	0.012	0.020
c	0.100	0.200	0.004	0.008
D	2.820	3.020	0.111	0.119
E1	1.500	1.700	0.059	0.067
E	2.650	2.950	0.104	0.116
e	0.950(BSC)		0.037(BSC)	
e1	1.800	2.000	0.071	0.079
L	0.300	0.600	0.012	0.024
theta	0°	8°	0°	8°

## X-ON Electronics

Largest Supplier of Electrical and Electronic Components

*Click to view similar products for [MOSFET](#) category:*

*Click to view products by [Yongyutai Electronics](#) manufacturer:*

Other Similar products are found below :

[IRFD120](#) [IRFY240C](#) [JANTX2N5237](#) [2SK2267\(Q\)](#) [BUK455-60A/B](#) [MIC4420CM-TR](#) [VN1206L](#) [NDP4060](#) [SI4482DY](#)  
[IPS70R2K0CEAKMA1](#) [SQD23N06-31L-GE3](#) [TK16J60W,S1VQ\(O](#) [2SK2614\(TE16L1,Q\)](#) [DMN1017UCP3-7](#) [EFC2J004NUZTDG](#)  
[DMN1053UCP4-7](#) [SQJ469EP-T1-GE3](#) [NTE2384](#) [DMC2700UDMQ-7](#) [DMN2080UCB4-7](#) [DMN61D9UWQ-13](#) [US6M2GTR](#)  
[DMN31D5UDJ-7](#) [DMP22D4UFO-7B](#) [DMN1006UCA6-7](#) [DMN16M9UCA6-7](#) [STF5N65M6](#) [IRF40H233XTMA1](#) [STU5N65M6](#)  
[DMN6022SSD-13](#) [DMN13M9UCA6-7](#) [DMTH10H4M6SPS-13](#) [DMN2990UFB-7B](#) [IPB80P04P405ATMA2](#) [2N7002W-G](#) [MCAC30N06Y-](#)  
[TP](#) [MCQ7328-TP](#) [NTMC083NP10M5L](#) [NVMFS2D3P04M8LT1G](#) [BXP7N65D](#) [BXP4N65F](#) [AOL1454G](#) [WMJ80N60C4](#) [BXP2N20L](#)  
[BXP2N65D](#) [BXT1150N10J](#) [BXT1700P06M](#) [TSM60NB380CP](#) [ROG](#) [RQ7L055BGTCR](#) [DMNH15H110SK3-13](#)