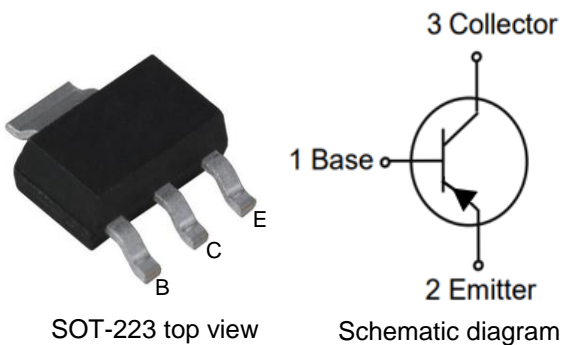


BCP51/52/53

Features

- For AF driver and output stages
- High collector current
- Low collector-emitter saturation voltage
- Complementary types: BCP54/BCP55/BCP56 (NPN)



Maximum Ratings(Ta=25°C unless otherwise noted)

Symbol	Parameter	BCP51	BCP52	BCP53	Unit
V_{CBO}	Collector-Base Voltage	-45	-60	-100	V
V_{CEO}	Collector-Emitter Voltage	-45	-60	-80	V
V_{EBO}	Emitter-Base Voltage	-5			V
I_C	Collector Current -Continuous	-1			A
I_{CM}	Peak Pulse Collector Current	-2			A
I_B	Base Current-Continuous	-100			mA
I_{BM}	Peak Pulse Base Current	-200			mA
P_C	Collector Power Dissipation	1.5			W
$R_{\theta JA}$	Thermal Resistance From Junction To Ambient	94			°C/W
T_J, T_{stg}	Operation Junction and Storage Temperature Range	-55~+150			°C

BCP51/52/53

Electrical Characteristics (T_J=25°C unless otherwise noted)

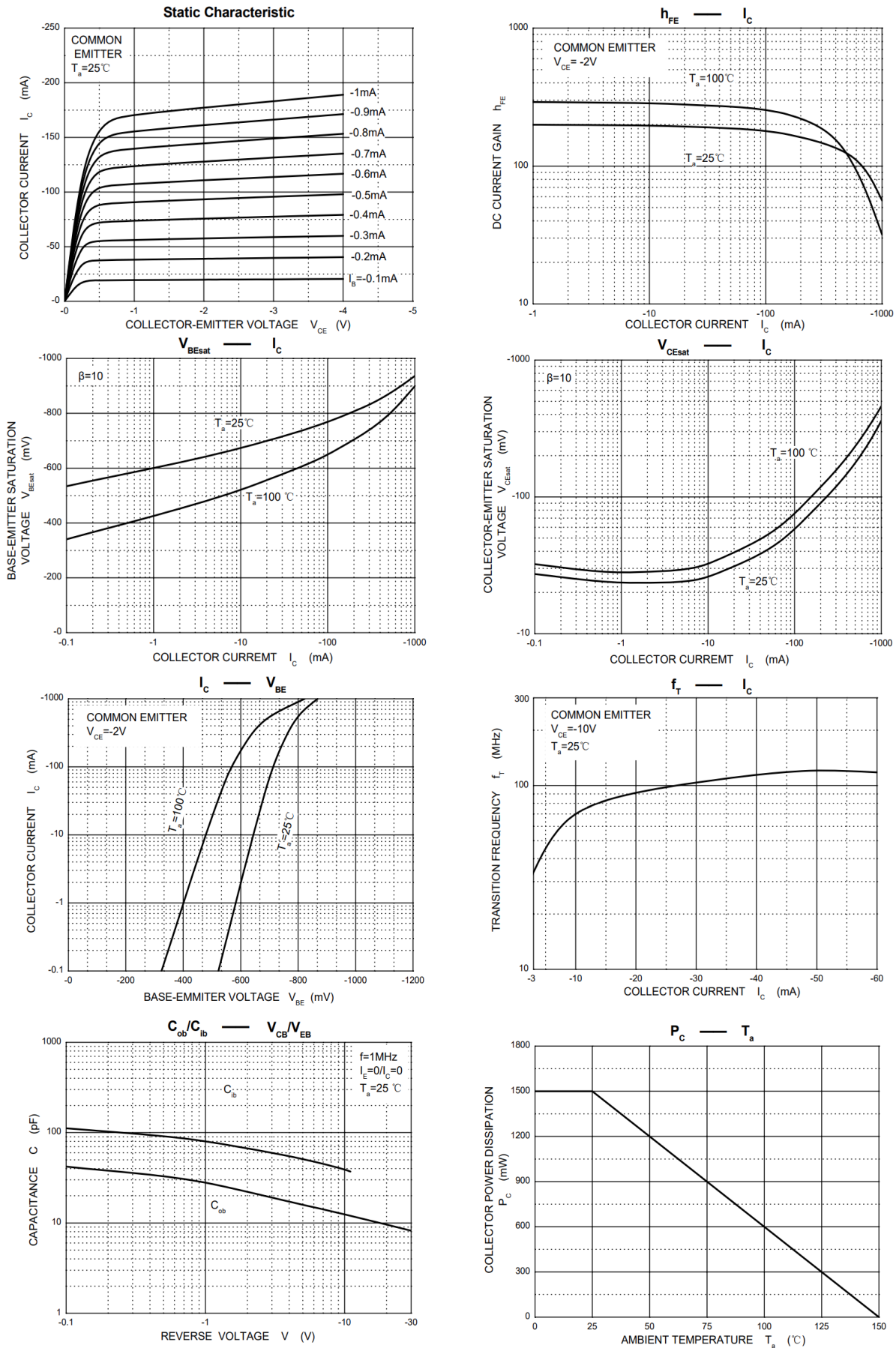
Symbol	Parameter	Condition	Min	Typ	Max	Unit
V _{(BR)CBO}	Collector-base breakdown voltage	BCP51	-45	--	--	V
		BCP52	-60	--	--	
		BCP53	-100	--	--	
V _{(BR)CEO}	Collector-emitter breakdown voltage	BCP51	-45	--	--	V
		BCP52	-60	--	--	
		BCP53	-80	--	--	
V _{(BR)EBO}	Emitter-base breakdown voltage	I _E =-10μA, I _C =0	-5	--	--	V
I _{CBO}	Collector cut-off current	V _{CB} =-30V, I _E =0	--	--	-100	nA
h _{FE1}	DC current gain	V _{CE} =-2V, I _C = -5mA	25	--	--	--
h _{FE2}		V _{CE} =-2V, I _C = -150mA	63	--	250	
h _{FE3}		V _{CE} =-2V, I _C = -500mA	25	--	--	
V _{CE(sat)}	Collector-emitter saturation voltage	I _C =-500 mA, I _B = -50mA	--	--	-0.5	V
f _T	Transition frequency	V _{CE} =-10V, I _C = -50mA, f=100MHz	100	--	--	MHz
V _{BE}	Base-emitter voltage	V _{CE} =-2V, I _C = -500mA	--	--	-1	V

Ordering Information (Example)

Type	Hfe	Marking	Minimum Package(pcs)	Inner Box Quantity(pcs)	Outer Carton Quantity(pcs)	Delivery Mode
BCP51	63-160	BCP51-10	2,500	5,000	35,000	13"reel
	100-250	BCP51-16				
BCP52	63-160	BCP52-10	2,500	5,000	35,000	13"reel
	100-250	BCP52-16				
BCP53	63-160	BCP53-10	2,500	5,000	35,000	13"reel
	100-250	BCP53-16				

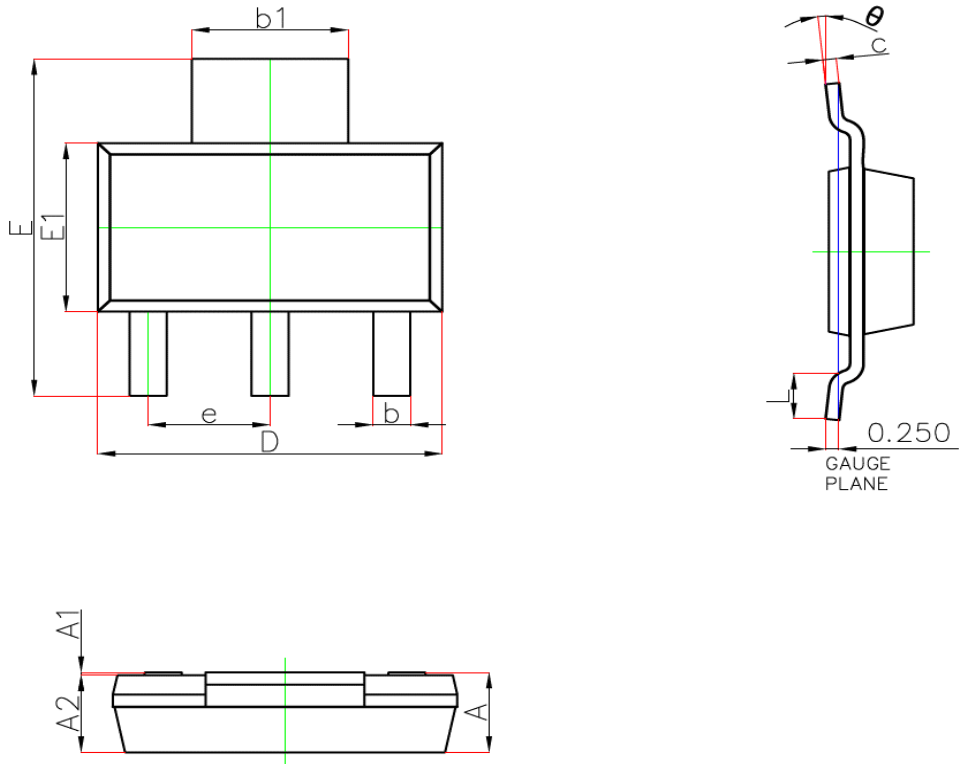
BCP51/52/53

Typical Operating Characteristics



BCP51/52/53

SOT-223 Package information



Symbol	Dimensions in Millimeters(mm)		Dimensions In Inches	
	Min	Max	Min	Max
A	0.700	0.900	0.028	0.035
A1	0.000	0.100	0.000	0.004
A2	0.700	0.800	0.028	0.031
b1	0.150	0.250	0.006	0.010
b2	0.250	0.350	0.010	0.014
c	0.100	0.200	0.004	0.008
D	1.500	1.700	0.059	0.067
E	0.700	0.900	0.028	0.035
E1	1.450	1.750	0.057	0.069
e	0.500TYP		0.020TYP	
e1	0.900	1.100	0.035	0.043
L	0.400REF		0.016REF	
L1	0.260	0.460	0.010	0.018
θ	0°	8°	0°	8°

X-ON Electronics

Largest Supplier of Electrical and Electronic Components

Click to view similar products for [Bipolar Transistors - BJT category](#):

Click to view products by [Yongyutai Electronics manufacturer](#):

Other Similar products are found below :

[BC559C](#) [MCH4017-TL-H](#) [MMBT-2369-TR](#) [BC546/116](#) [NJVMJD148T4G](#) [NTE16](#) [NTE195A](#) [IMX9T110](#) [2N4401-A](#) [2N4403](#) [2N6728](#)
[2SA1419T-TD-H](#) [2SA2126-E](#) [2SB1204S-TL-E](#) [FMC5AT148](#) [2N2369ADCSM](#) [2N2907A](#) [2N3904-NS](#) [2N5769](#) [2SC4618TLN](#) [CPH6501-](#)
[TL-E](#) [MCH4021-TL-E](#) [Jantx2N5416](#) [US6T6TR](#) [BAX18/A52R](#) [BC556/112](#) [IMZ2AT108](#) [MMST8098T146](#) [UMX21NTR](#) [MCH6102-TL-E](#)
[TTA1452B,S4X\(S](#) [2N3879](#) [NTE13](#) [NTE282](#) [NTE323](#) [NTE350](#) [NTE81](#) [JANTX2N2920L](#) [JANTX2N3735](#) [JANSR2N2222AUB](#)
[CMLT3946EG TR](#) [SNSS40600CF8T1G](#) [CMLT3906EG TR](#) [GRP-DATA-JANS2N2907AUB](#) [GRP-DATA-JANS2N2222AUA](#)
[MMDT3946FL3-7](#) [2N4240](#) [MSB30KH-13](#) [2N2221AUB](#) [2SD1815T-TL-E](#)