

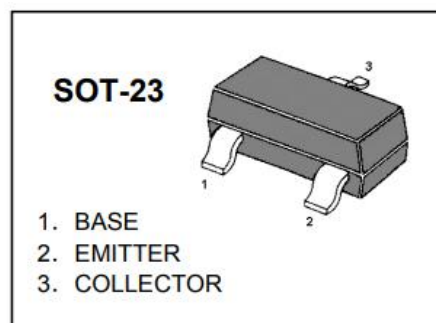
NPN SILICON PLANAR HIGH VOLTAGE TRANSISTOR

FEATURES

* 400 Volt V_{CEO}

• COMPLEMENTARY TYPE - FMMT558

• **Marking :458**



ABSOLUTE MAXIMUM RATINGS.

PARAMETER	SYMBOL	VALUE	UNIT
Collector-Base Voltage	V_{CBO}	400	V
Collector-Emitter Voltage	V_{CEO}	400	V
Emitter-Base Voltage	V_{EBO}	5	V
Continuous Collector Current	I_C	225	mA
Peak Pulse Current	I_{CM}	1	A
Base Current	I_B	200	mA
Power Dissipation at $T_{amb}=25^{\circ}C$	P_{tot}	500	mW
Operating and Storage Temperature Range	$T_j:T_{stg}$	-55 to +150	$^{\circ}C$

ELECTRICAL CHARACTERISTICS (at $T_{amb} = 25^{\circ}C$).

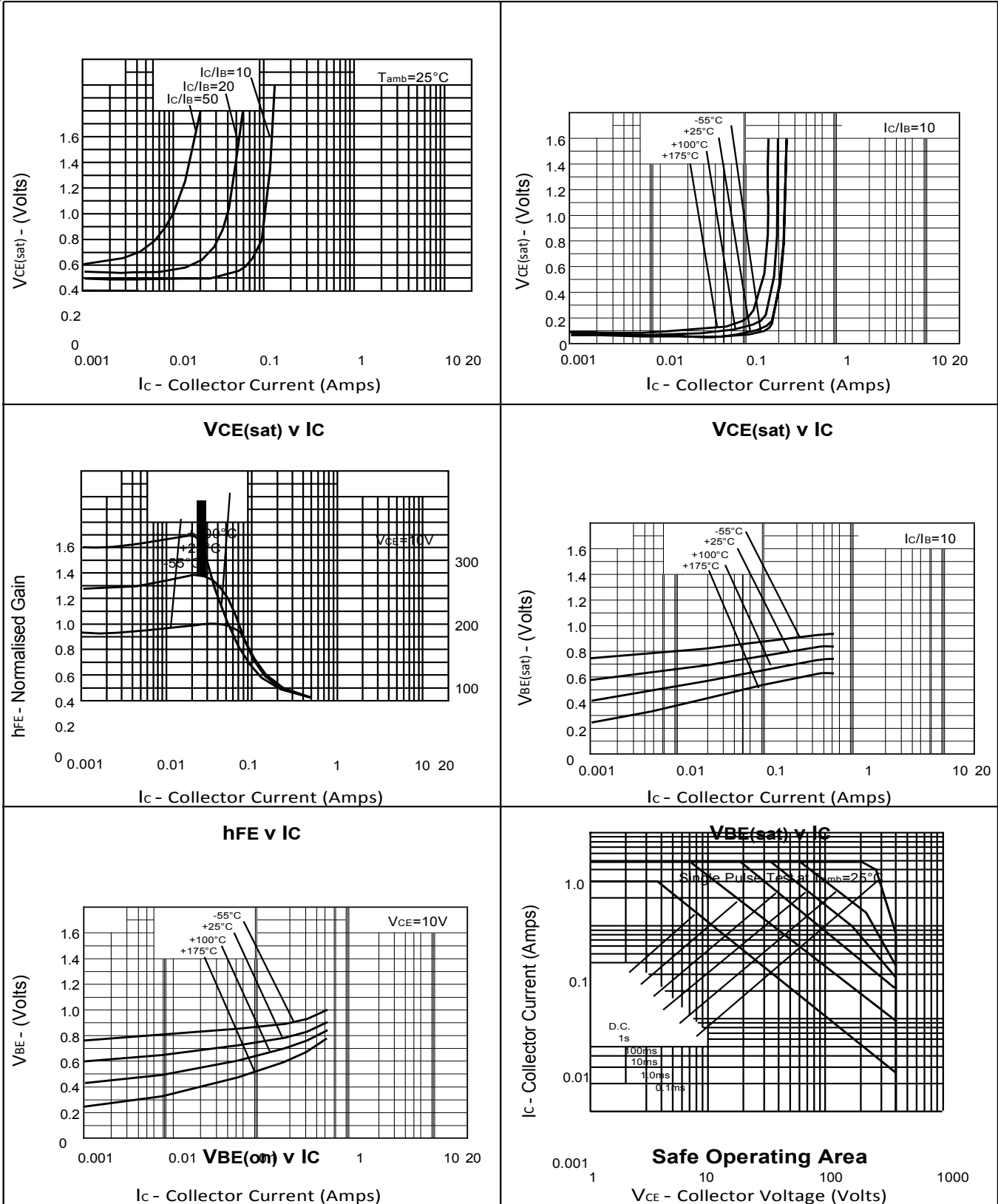
PARAMETER	SYMBOL	MIN.	MAX.	UNIT	CONDITIONS.
Collector-Base Breakdown Voltage	$V_{(BR)CBO}$	400		V	$I_C=100\mu A$
Collector-Emitter Breakdown Voltage	$V_{CEO(sus)}$	400		V	$I_C=10mA^*$
Emitter-Base Breakdown Voltage	$V_{(BR)EBO}$	5		V	$I_E=100\mu A$
Collector Cut-Off Current	I_{CBO}		100	nA	$V_{CB}=320V$
Collector Cut-Off Current	I_{CES}		100	nA	$V_{CE}=320V$
Emitter Cut-Off Current	I_{EBO}		100	nA	$V_{EB}=4V$
Collector-Emitter Saturation Voltage	$V_{CE(sat)}$		0.2 0.5	V	$I_C=20mA, I_B=2mA^*$ $I_C=50mA, I_B=6mA^*$
Base-Emitter Saturation Voltage	$V_{BE(sat)}$		0.9	V	$I_C=50mA, I_B=5mA^*$
Base-Emitter Turn On Voltage	$V_{BE(on)}$		0.9	V	$I_C=50mA, V_{CE}=10V^*$
Static Forward Current Transfer Ratio	h_{FE}	100 100 15	300		$I_C=1mA, V_{CE}=10V$ $I_C=50mA, V_{CE}=10V^*$ $I_C=100mA, V_{CE}=10V^*$
Transition Frequency	f_T	50		MHz	$I_C=10mA, V_{CE}=20V$ $f=20MHz$
Output Capacitance	C_{obo}		5	pF	$V_{CB}=20V, f=1MHz$
Switching times	t_{on} t_{off}		135 Typical 2260 Typical	ns ns	$I_C=50mA, V_{CC}=100V$ $I_{B1}=5mA, I_{B2}=-10mA$

*Measured under pulsed conditions.

Spice parameter data is available upon request for this device



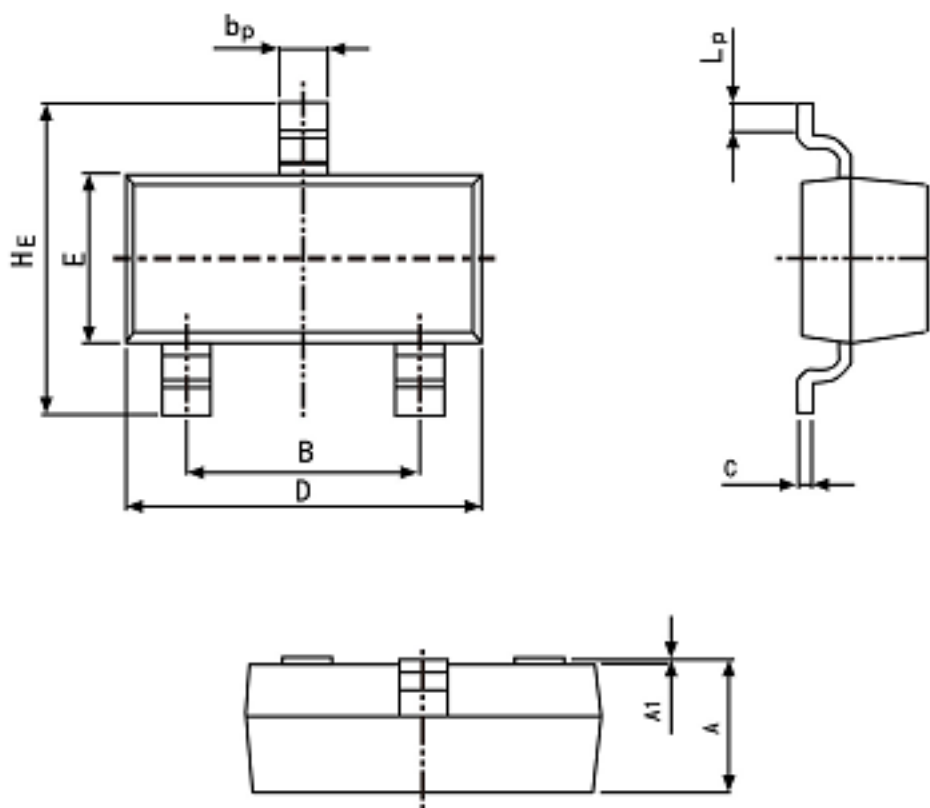
TYPICAL CHARACTERISTICS



PACKAGE OUTLINE

Plastic surface mounted package; 3 leads

SOT-23



Symbol	Dimension in Millimeters	
	Min	Max
A	0.95	1.40
B	1.78	2.04
b_p	0.35	0.50
C	0.08	0.19
D	2.70	3.10
E	1.20	1.65
HE	2.20	3.00
A_1	0.100	0.013
L_p	0.20	0.50

X-ON Electronics

Largest Supplier of Electrical and Electronic Components

Click to view similar products for [Bipolar Transistors - BJT category](#):

Click to view products by [Yongyutai Electronics manufacturer](#):

Other Similar products are found below :

[BC559C](#) [MCH4017-TL-H](#) [MMBT-2369-TR](#) [BC546/116](#) [NJVMJD148T4G](#) [NTE16](#) [NTE195A](#) [IMX9T110](#) [2N4401-A](#) [2N4403](#) [2N6728](#)
[2SA1419T-TD-H](#) [2SA2126-E](#) [2SB1204S-TL-E](#) [FMC5AT148](#) [2N2369ADCSM](#) [2N2907A](#) [2N3904-NS](#) [2N5769](#) [2SC4618TLN](#) [CPH6501-](#)
[TL-E](#) [MCH4021-TL-E](#) [Jantx2N5416](#) [US6T6TR](#) [BAX18/A52R](#) [BC556/112](#) [IMZ2AT108](#) [MMST8098T146](#) [UMX21NTR](#) [MCH6102-TL-E](#)
[TTA1452B,S4X\(S](#) [2N3879](#) [NTE13](#) [NTE282](#) [NTE323](#) [NTE350](#) [NTE81](#) [JANTX2N2920L](#) [JANTX2N3735](#) [JANSR2N2222AUB](#)
[CMLT3946EG TR](#) [SNSS40600CF8T1G](#) [CMLT3906EG TR](#) [GRP-DATA-JANS2N2907AUB](#) [GRP-DATA-JANS2N2222AUA](#)
[MMDT3946FL3-7](#) [2N4240](#) [MSB30KH-13](#) [2N2221AUB](#) [2SD1815T-TL-E](#)