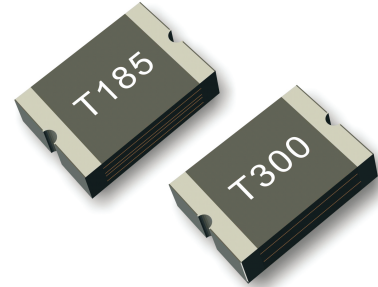


Features

- ◆ Surface Mount Devices
- ◆ Standard 7555mm(2920mils) footprint
- ◆ Surface mount packaging for automated assembly
- ◆ Compatible with Pb and Pb-free solder re flow profiles. ◆
UL(Pending), C-UL(Pending), TUV(Pending)
- ◆ RoHS, Reach, HF compliance

Applications

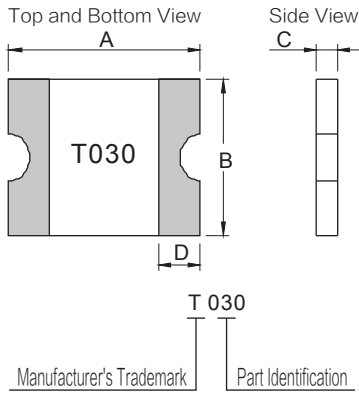
- ◆ Computer mother board, Modem ◆
- Industrial controls
- ◆ IEEE ports
- ◆ Portable electronics



电气特性：

P/N	保持电流	跳脱电流	最大电压	最大电流	最大动作时间		消耗功率	电阻范围 (Ω)	
	I_H , (A)	I_T , (A)	V_{max} , (V)	I_{max} , (A)	(A)	(Sec.)	Pd_{typ} , (W)	R_{min}	$R1_{max}$
K2920L030DR	0.30	0.60	60	10	1.5	3.0	1.5	0.600	4.300
K2920L050DR	0.50	1.00	60	10	2.5	3.0	1.5	0.180	1.400
K2920L075DR	0.75	1.50	33	40	8.0	0.3	1.5	0.100	1.000
K2920L100DR	1.00	2.00	33	40	8.0	0.5	1.5	0.065	0.410
K2920L125DR	1.25	2.50	33	40	8.0	2.0	1.5	0.050	0.250
K2920L150MR	1.50	3.00	33	40	8.0	2.0	1.5	0.035	0.230
K2920L185MR	1.85	3.70	33	40	8.0	2.0	1.5	0.030	0.150
K2920L200PR	2.00	4.00	16	40	8.0	4.5	1.5	0.025	0.120
K2920L250PR	2.50	5.00	16	40	8.0	16.0	1.5	0.018	0.085
K2920L260PR	2.60	5.20	16	40	8.0	18.0	1.5	0.014	0.075
K2920L260/24MR	2.60	5.20	24	40	8.0	18.0	1.5	0.014	0.075
K2920L300PR	3.00	6.00	12	40	8.0	20.0	1.5	0.010	0.055
K2920L300/24MR	3.00	6.00	24	40	8.0	20.0	1.5	0.010	0.055
K2920L400MR	4.00	8.00	12	40	8.0	50.0	1.5	0.007	0.035
K2920L450MR	4.50	9.00	16	40	22.5	5.0	1.5	0.005	0.020
K2920L500MR	5.00	10.00	12	40	25.0	25.0	1.5	0.005	0.018

产品尺寸 (Unit: mm) :

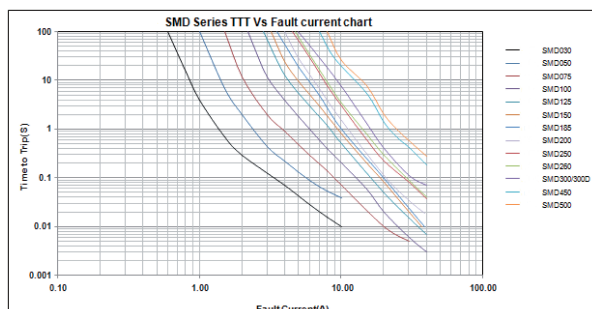


P/N	Marking (标识)	A		B		C		D
		Min.	Max.	Min.	Max.	Min.	Max.	Min.
K2920L030DR	T030	6.73	7.98	4.80	5.44	0.75	1.25	0.30
K2920L050DR	T050	6.73	7.98	4.80	5.44	0.75	1.25	0.30
K2920L075DR	T075	6.73	7.98	4.80	5.44	0.65	1.05	0.30
K2920L100DR	T100	6.73	7.98	4.80	5.44	0.65	1.05	0.30
K2920L125DR	T125	6.73	7.98	4.80	5.44	0.65	1.05	0.30
K2920L150MR	T150	6.73	7.98	4.80	5.44	0.90	1.30	0.30
K2920L185MR	T185	6.73	7.98	4.80	5.44	0.90	1.30	0.30
K2920L200PR	T200	6.73	7.98	4.80	5.44	0.45	0.85	0.30
K2920L250PR	T250	6.73	7.98	4.80	5.44	0.45	0.85	0.30
K2920L260PR	T260	6.73	7.98	4.80	5.44	0.45	0.85	0.30
K2920L260/24MR	T260	6.73	7.98	4.80	5.44	0.80	1.20	0.30
K2920L300PR	T300	6.73	7.98	4.80	5.44	0.45	0.85	0.30
K2920L300/24MR	T300	6.73	7.98	4.80	5.44	0.80	1.20	0.30
K2920L400MR	T450	6.73	7.98	4.80	5.44	0.80	1.20	0.30
K2920L450MR	T400	6.73	7.98	4.80	5.44	0.80	1.20	0.30
K2920L500MR	T500	6.73	7.98	4.80	5.44	0.80	1.20	0.30

环境温度与工作电流关系特性曲线 :

P/N	工作环境温度								
	-40℃	-20℃	0℃	25℃	40℃	50℃	60℃	70℃	85℃
K2920L030DR	0.45	0.40	0.35	0.30	0.25	0.23	0.20	0.17	0.14
K2920L050DR	0.76	0.67	0.59	0.50	0.42	0.38	0.33	0.29	0.23
K2920L075DR	1.13	1.01	0.88	0.75	0.62	0.56	0.50	0.44	0.34
K2920L100DR	1.66	1.47	1.29	1.10	0.91	0.83	0.73	0.64	0.50
K2920L125DR	1.89	1.68	1.46	1.25	1.04	0.94	0.83	0.73	0.56
K2920L150MR	2.27	2.01	1.76	1.50	1.25	1.13	1.00	0.87	0.74
K2920L185MR	2.80	2.47	2.17	1.85	1.54	1.39	1.22	1.07	0.85
K2920L200PR	3.02	2.68	2.34	2.00	1.80	1.70	1.54	1.40	1.30
K2920L250PR	3.78	3.35	2.93	2.50	2.25	2.13	1.93	1.75	1.63
K2920L260PR	3.93	3.48	3.04	2.60	2.34	2.21	2.00	1.82	1.69
K2920L260/24MR	3.93	3.48	3.04	2.60	2.34	2.21	2.00	1.82	1.69
K2920L300PR	4.53	4.02	3.51	3.00	2.52	2.26	1.99	1.75	1.34
K2920L300/24MR	4.53	4.02	3.51	3.00	2.52	2.26	1.99	1.75	1.34
K2920L450MR	6.80	6.03	5.27	4.50	4.05	3.83	3.47	3.15	2.93

动作电流时间曲线表 :



The Time to Trip curves represent typical performance of a device in a simulated application environment. Actual performance in specific customer applications may differ from these values due to the influence of other variables.

X-ON Electronics

Largest Supplier of Electrical and Electronic Components

Click to view similar products for [Resettable Fuses - PPTC category](#):

Click to view products by [Yongyutai Electronics manufacturer](#):

Other Similar products are found below :

[RF0077-000](#) [RF0627-000](#) [RF3301-000](#) [RF3382-000](#) [SMD125-2](#) [RF1973-000](#) [RF2531-000](#) [RF2873-000](#) [RF3060-000](#) [TR600-150Q-B-0.5-0.130](#) [RXE090](#) [5E4795/04-1502](#) [TRF250-080T-B-1.0-0.125](#) [SMD100-2](#) [NIS5431MT1TXG](#) [SMD250-2](#) [RS30-090](#) [RS30-600](#) [RS30-800](#) [RS30-900](#) [RS60RB-160](#) [RS60SB-250](#) [SB250-145](#) [OZCH0110AF2E](#) [0603L001/60YR](#) [0603L003/36YR](#) [BK250-120-SZ-E0.6](#) [BK60-010-DI-E0.5](#) [BK250-040-DY-E0.6](#) [RF2631-000](#) [NIS5420MT2TXG](#) [NIS5420MT3TXG](#) [NIS6420MT1TWG](#) [RF5032-000](#) [RF5051-000](#) [RF5034-000](#) [RF5105-000](#) [RF5062-000](#) [RF5055-000](#) [RF5052-000](#) [2920L075/72MR](#) [BSMD0603-025-24V](#) [BSMD0402L-005](#) [BSMD0603-010-9V](#) [BSMD1812-020-60V](#) [BSMD2920-400-30V](#) [BSMD0603-010-12V](#) [BSMD0805-035-30V](#) [BSMD1210-150-16V](#) [BSMD0805-003-60V](#)