

## P-Channel 30-V(D-S) MOSFET

V(BR)DSS	RDS(on)MAX	ID
-30 V	60mΩ@-10V	- 4.1A
	70mΩ@-4.5V	
	100mΩ@-2.5V	

### FEATURE

※ TrenchFET Power MOSFET

※ Exceptional on-resistance and maximum DC current capability

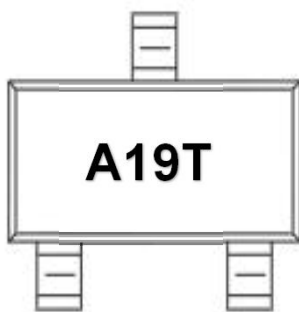
※ High dense cell design for extremely low RDS(ON)

### APPLICATION

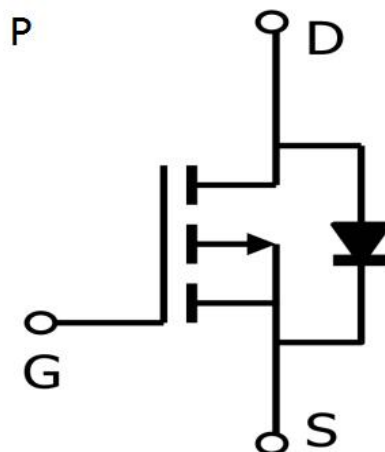
※ Load Switch for Portable Devices

※ DC/DC Converter

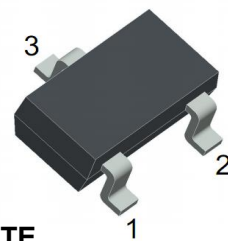
### MARKING



### Equivalent Circuit



### SOT-23



1.GATE  
2.SOURCE  
3.DRAIN

### Maximum ratings ( Ta=25°C unless otherwise noted)

Parameter	Symbol	Value	Unit
Drain-Source Voltage	VDS	-30	V
Gate-Source Voltage	VGS	±12	
Continuous Drain Current	ID	-4.1	A
Pulsed Diode Current	IDM	-27	
Continuous Source-Drain Current(Diode Conduction)	IS	-2	
Power Dissipation	PD	1.4	W
Thermal Resistance from Junction to Ambient (t≤5s)	RθJA	125	°C/W
Operating Junction	TJ	150	°C
Storage Temperature	TSTG	-55~+150	°C

**MOSFET ELECTRICAL CHARACTERISTICS**

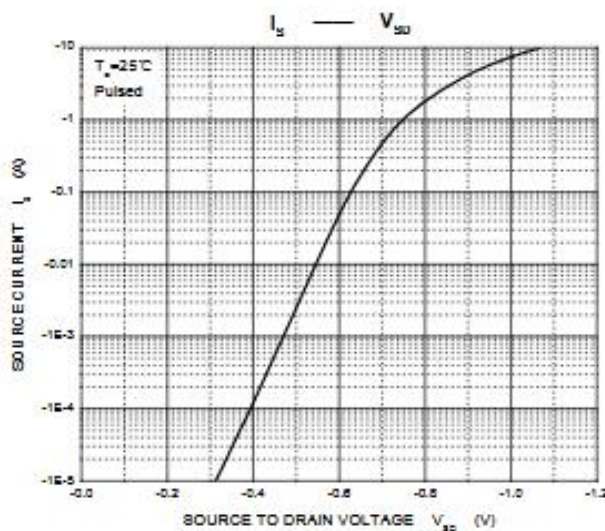
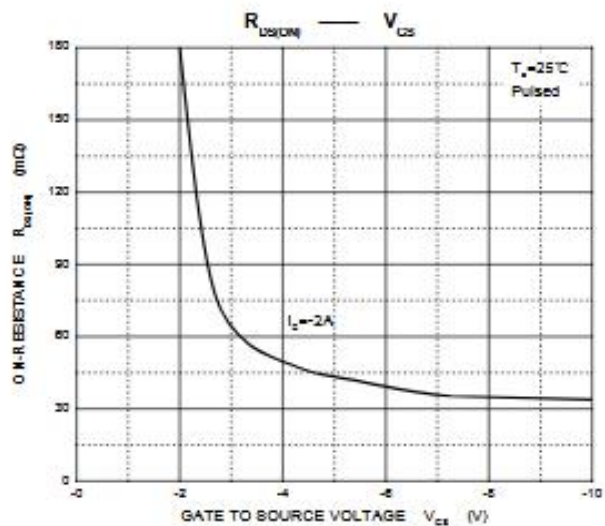
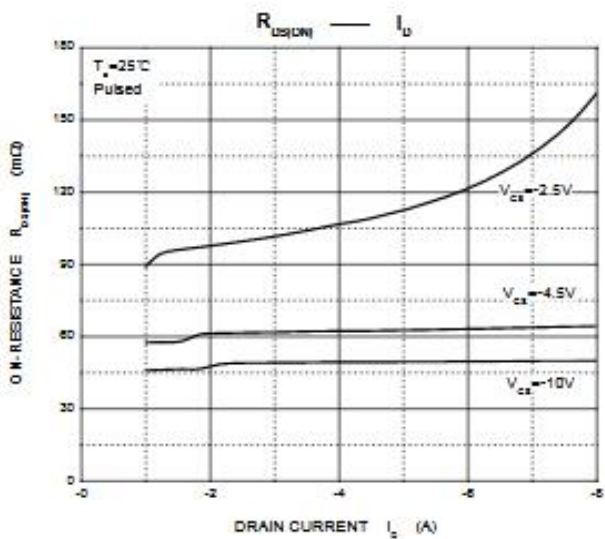
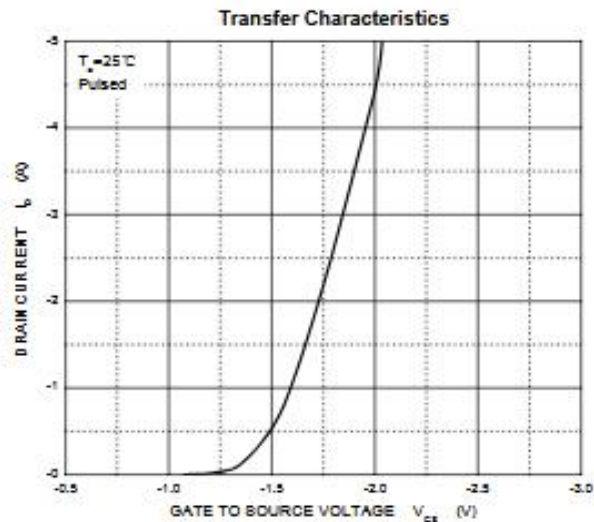
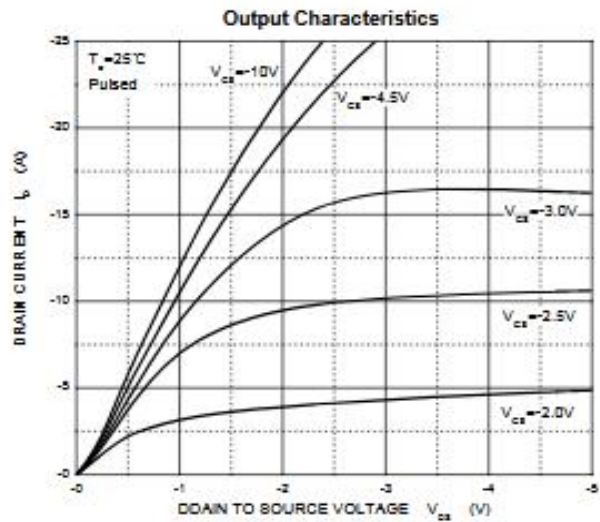
**Static Electrical Characteristics (Ta = 25 °C Unless Otherwise Noted)**

Parameter	Symbol	Test Condition	Min	Typ	Max	Unit
<b>Static</b>						
Drain-source breakdown voltage	V(BR)DSS	VGS = 0V, ID = -250μA	-30			V
Gate-source threshold voltage	VGS(th)	VDS =VGS, ID = -250μA	-0.6		-1.2	V
Gate-source leakage	IGSS	VDS =0V, VGS = ±12V			±100	nA
Zero gate voltage drain current	IDSS	VDS = -30V, VGS =0V			1	μA
Drain-source on-state resistancea	RDS(on)	VGS = -10V, ID = -2.8A		50	60	mΩ
		VGS = -4.5V, ID = -2.8A		55	70	mΩ
		VGS = -2.5V, ID = -2A		71	100	mΩ
Forward transconductancea	gfs	VDS = -4.5V, ID = -4.1A	7			S
Diode forward voltage	VSD	IS=1A,VGS=0V		-0.7	-1.3	V
<b>Dynamic</b>						
Input capacitance	Ciss	VDS = -15V,VGS =0V, f=1MHz		645		pF
Output capacitance	Coss			80		pF
Reverse transfer capacitanceb	Crss			55		pF
Total gate charge	Qg	VDS = -15V,VGS = -10V, ID =-4.1A		14		nC
Gate-source charge	Qgs			1.5		nC
Gate-drain charge	Qgd			2.5		nC
Gate resistance	Rg	f=1MHz		8		Ω
<b>Switchingb</b>						
Turn-on delay time	td(on)	VDD= -15V RL=4Ω, ID ≈ -1A, VGEN=- 10V,Rg=3Ω		6.3		ns
Rise time	tr			3.2		ns
Turn-off delay time	td(off)			41		ns
Fall time	tf			9		ns
<b>Drain-source body diode characteristics</b>						
Continuous Source-Drain Diode Current	IS	Tc=25°C			-1.3	A
Pulsed Diode forward Curren	ISM				-20	A

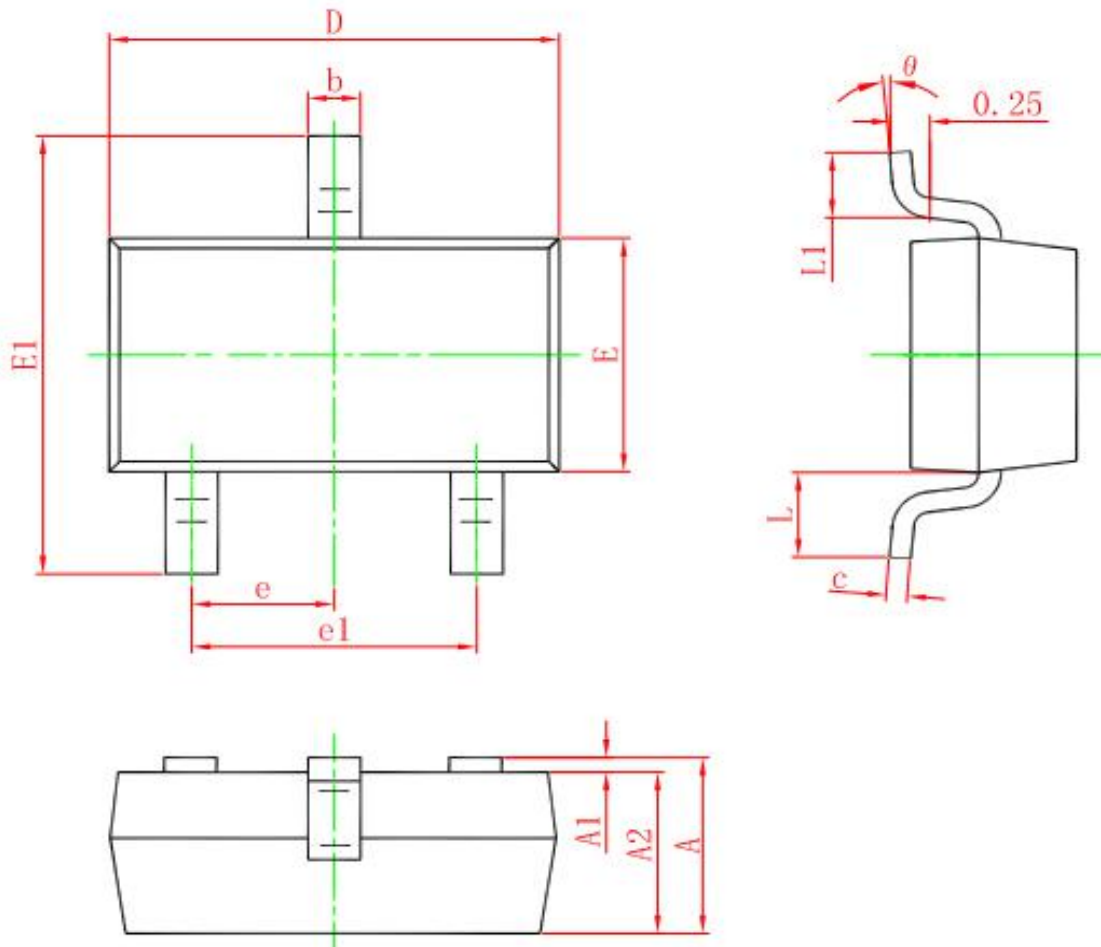
**Note :**

1. Repetitive Rating : Pulse width limited by maximum junction temperature.
2. Surface Mounted on FR4 Board, t < 5 sec.
3. Pulse Test : Pulse Width≤300μs, Duty Cycle ≤ 2%.
4. Guaranteed by design, not subject to production testing.

Typical Characteristics:



**SOT-23 PACKAGE OUTLINE DIMENSIONS**



Symbol	Dimensions In Millimeters		Dimensions In Inches	
	Min.	Max.	Min.	Max.
A	0.900	1.150	0.035	0.045
A1	0.000	0.100	0.000	0.004
A2	0.900	1.050	0.035	0.041
b	0.300	0.500	0.012	0.020
c	0.080	0.150	0.003	0.006
D	2.800	3.000	0.110	0.118
E	1.200	1.400	0.047	0.055
E1	2.250	2.550	0.089	0.100
e	0.950 TYP.		0.037 TYP.	
e1	1.800	2.000	0.071	0.079
L	0.550 REF.		0.022 REF.	
L1	0.300	0.500	0.012	0.020
$\theta$	0°	8°	0°	8°

## X-ON Electronics

Largest Supplier of Electrical and Electronic Components

*Click to view similar products for [MOSFET](#) category:*

*Click to view products by [Yongyutai Electronics](#) manufacturer:*

Other Similar products are found below :

[614233C](#) [648584F](#) [MCH3443-TL-E](#) [MCH6422-TL-E](#) [FDPF9N50NZ](#) [NTNS3A92PZT5G](#) [IRFD120](#) [IRFF430](#) [JANTX2N5237](#) [2N7000](#)  
[AOD464](#) [2SK2267\(Q\)](#) [2SK2545\(Q,T\)](#) [405094E](#) [423220D](#) [MIC4420CM-TR](#) [VN1206L](#) [614234A](#) [715780A](#) [SSM6J414TU,LF\(T](#) [751625C](#)  
[IPS70R2K0CEAKMA1](#) [BSF024N03LT3 G](#) [PSMN4R2-30MLD](#) [TK31J60W5,S1VQ\(O](#) [2SK2614\(TE16L1,Q\)](#) [DMN1017UCP3-7](#)  
[EFC2J004NUZTDG](#) [FCAB21350L1](#) [P85W28HP2F-7071](#) [DMN1053UCP4-7](#) [NTE2384](#) [NTE2969](#) [NTE6400A](#) [DMC2700UDMQ-7](#)  
[DMN2080UCB4-7](#) [DMN61D9UWQ-13](#) [US6M2GTR](#) [DMN31D5UDJ-7](#) [SSM6P54TU,LF](#) [DMP22D4UFO-7B](#) [IPS60R3K4CEAKMA1](#)  
[DMN1006UCA6-7](#) [DMN16M9UCA6-7](#) [STF5N65M6](#) [IRF40H233XTMA1](#) [IPSA70R950CEAKMA1](#) [IPSA70R2K0CEAKMA1](#) [STU5N65M6](#)  
[C3M0021120D](#)