

## P-Channel 20-V(D-S) MOSFET

V(BR)DSS	RDS(on)MAX	ID
-20 V	65mΩ@-4.5V	-3.7A
	135mΩ@-2.5V	

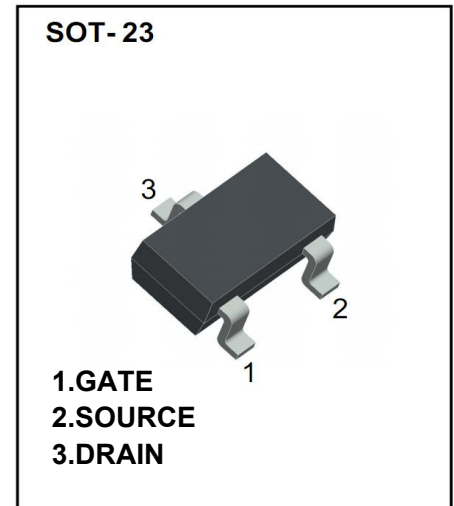
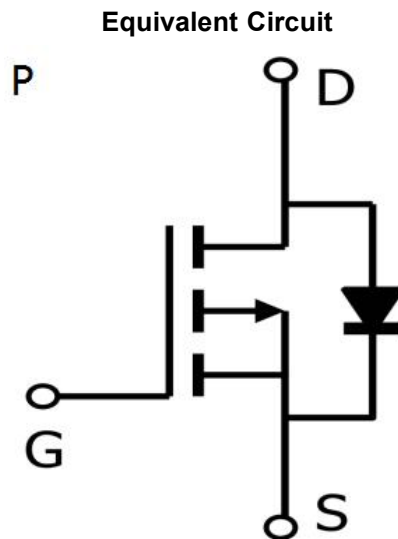
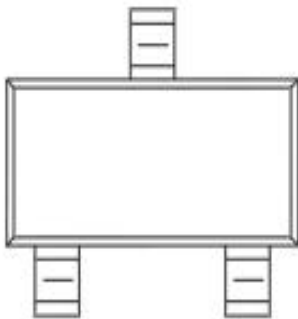
### FEATURE

- TrenchFET Power MOSFET
- Ultra Low On-Resistance
- Available in Tape and Reel

### APPLICATION

- ※ Load Switch for Portable Devices
- ※ DC/DC Converter

### MARKING



### Maximum ratings ( Ta=25°C unless otherwise noted)

Parameter	Symbol	Value	Unit
Drain-Source Voltage	VDS	-20	V
Gate-Source Voltage	VGS	±12	
Continuous Drain Current	ID	-3.7	A
Pulsed Diode Current	IDM	-22	
Power Dissipation	PD	1.4	W
Thermal Resistance from Junction to Ambient (t≤5s)	RθJA	100	°C/W
Operating Junction	TJ	150	°C
Storage Temperature	TSTG	-55~+150	

## MOSFET ELECTRICAL CHARACTERISTICS

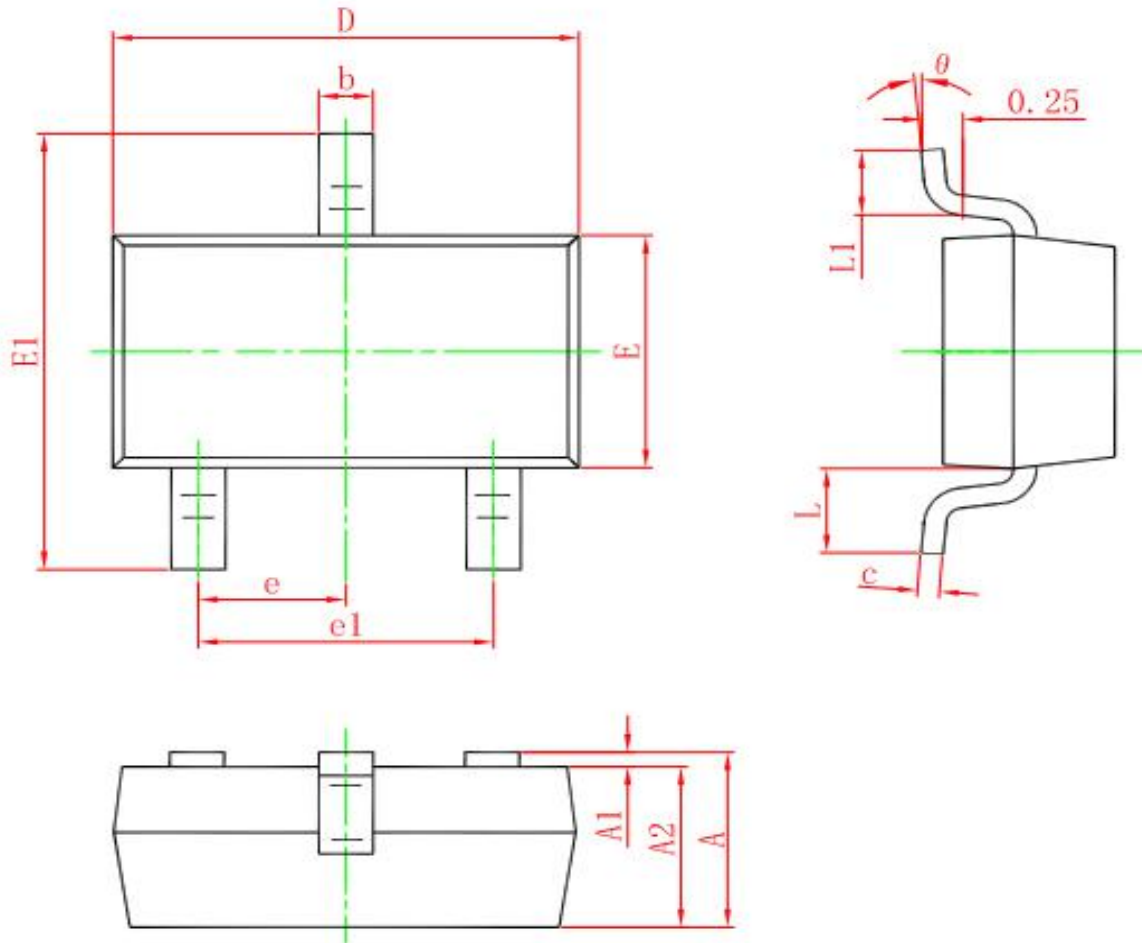
### Static Electrical Characteristics (Ta = 25 °C Unless Otherwise Noted)

Parameter	Symbol	Test Condition	Min	Typ	Max	Unit
<b>Static</b>						
Drain-source breakdown voltage	V(BR)DSS	VGS = 0V, ID = -250μA	-20			V
Gate-source threshold voltage	VGS(th)	VDS =VGS, ID = -250μA	-0.4		-1.2	V
Gate-source leakage	IGSS	VDS =0V, VGS = ±12V			±100	nA
Zero gate voltage drain current	IDSS	VDS = -20V, VGS =0V			-1	μA
Drain-source on-state resistancea	RDS(on)	VGS = -4.5V, ID = -3.7A		50	65	mΩ
		VGS = -2.5V, ID = -3A		80	135	mΩ
Forward transconductancea	gfs	VDS = -4.5V, ID = -3.7A	6			S
Diode forward voltage	VSD	IS=-1A, VGS=0V		-0.8	-1.2	V
Continuous Source-Drain Diode Current	IS				-1.3	A
<b>Dynamic</b>						
Input capacitance	Ciss	VDS = -10V, VGS =0V, f=1MHz		633		pF
Output capacitance	Coss			145		pF
Reverse transfer capacitanceb	Crss			110		pF
Total gate charge	Qg	VDS = -10V, VGS = -4.5V, ID = -3.7A		8.0		nC
Gate-source charge	Qgs			1.2		nC
Gate-drain charge	Qgd			2.8		nC
Gate resistance	Rg	f=1MHz		6.5		Ω
<b>Switchingb</b>						
Turn-on delay time	td(on)	VDS= -10V RL=6Ω, ID ≈ -1A, VGEN=- 4.5V, Rg=3Ω		12		ns
Rise time	tr			30		ns
Turn-off delay time	td(off)			60		ns
Fall time	tf			50		ns
Body Diode Reverse Recovery Time	Trr	IF= -3.7A, dI/dt=100A/μs		29		ns
Body Diode Reverse Recovery Charge	Qrr	IF= -3.7A, dI/dt=100A/μs		11		nC

**Note :**

1. Repetitive Rating : Pulse width limited by maximum junction temperature.
2. Surface Mounted on FR4 Board, t < 5 sec.
3. Pulse Test : Pulse Width ≤ 300μs, Duty Cycle ≤ 2%.
4. Guaranteed by design, not subject to production testing.

**SOT-23 PACKAGE OUTLINE DIMENSIONS**



Symbol	Dimensions In Millimeters		Dimensions In Inches	
	Min.	Max.	Min.	Max.
A	0.900	1.150	0.035	0.045
A1	0.000	0.100	0.000	0.004
A2	0.900	1.050	0.035	0.041
b	0.300	0.500	0.012	0.020
c	0.080	0.150	0.003	0.006
D	2.800	3.000	0.110	0.118
E	1.200	1.400	0.047	0.055
E1	2.250	2.550	0.089	0.100
e	0.950 TYP.		0.037 TYP.	
e1	1.800	2.000	0.071	0.079
L	0.550 REF.		0.022 REF.	
L1	0.300	0.500	0.012	0.020
$\theta$	0°	8°	0°	8°

## X-ON Electronics

Largest Supplier of Electrical and Electronic Components

*Click to view similar products for [MOSFET](#) category:*

*Click to view products by [Yongyutai Electronics](#) manufacturer:*

Other Similar products are found below :

[IRFD120](#) [IRFF430](#) [JANTX2N5237](#) [2SK2267\(Q\)](#) [BUK455-60A/B](#) [TK100A10N1,S4X\(S](#) [MIC4420CM-TR](#) [VN1206L](#) [NDP4060](#) [SI4482DY](#)  
[IRS2092STRPBF-EL](#) [IPS70R2K0CEAKMA1](#) [SQM120N06-3M5L-GE3](#) [TK31J60W5,S1VQ\(O](#) [TK31J60W,S1VQ\(O](#) [TK16J60W,S1VQ\(O](#)  
[2SK2614\(TE16L1,Q\)](#) [DMN1017UCP3-7](#) [EFC2J004NUZTDG](#) [P85W28HP2F-7071](#) [NTE2384](#) [DMC2700UDMQ-7](#) [DMN2080UCB4-7](#)  
[DMN61D9UWQ-13](#) [US6M2GTR](#) [DMN31D5UDJ-7](#) [DMP22D4UFO-7B](#) [IPS60R3K4CEAKMA1](#) [DMN1006UCA6-7](#) [DMN16M9UCA6-7](#)  
[STF5N65M6](#) [IRF40H233XTMA1](#) [STU5N65M6](#) [DMN6022SSD-13](#) [DMN13M9UCA6-7](#) [DMTH10H4M6SPS-13](#) [IPS60R360PFD7SAKMA1](#)  
[DMN2990UFB-7B](#) [SSM3K35CT,L3F](#) [IPLK60R1K0PFD7ATMA1](#) [2N7002W-G](#) [MCAC30N06Y-TP](#) [IPWS65R035CFD7AXKSA1](#)  
[MCQ7328-TP](#) [SSM3J143TU,LXHF](#) [DMN12M3UCA6-7](#) [PJMF280N65E1\\_T0\\_00201](#) [PJMF380N65E1\\_T0\\_00201](#)  
[PJMF280N60E1\\_T0\\_00201](#) [PJMF600N65E1\\_T0\\_00201](#)