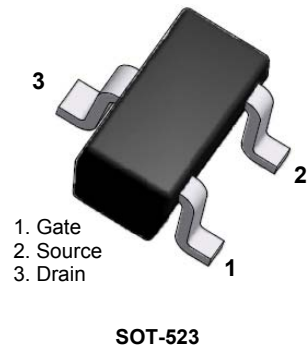


150mW SOT-523 SURFACE MOUNT Plastic Package N-Channel MOSFET

Absolute Maximum Ratings T_A = 25°C unless otherwise noted

Symbol	Parameter	Value	Units
V _{DS}	Drain-Source Voltage	30	V
V _{GS}	Continuous Gate-Source Voltage	±20V	V
I _D	Continuous Drain Current	100	mA
P _D	Power Dissipation	150	mW
R _{θJA}	Thermal Resistance from Junction to Ambient	833	°C /W
T _{STG}	Storage Temperature Range	-55 to +150	°C
T _J	Operating Junction Temperature	+150	°C

These ratings are limiting values above which the serviceability of the device may be impaired.

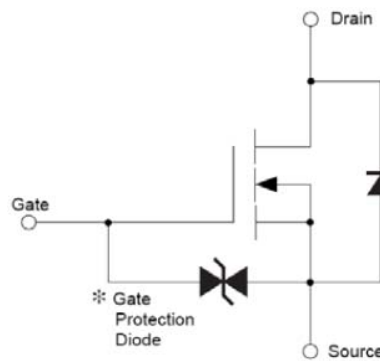


SOT-523

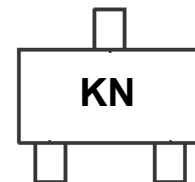
Specification Features:

- Low On-resistance
- Fast Switching Speed
- Low Voltage Drive Makes This Device Ideal for Portable Equipment
- Easily Designed Drive Circuits
- Easy to Parallel
- RoHS Compliant & Green EMC
- Matte Tin(Sn) Lead Finish
- Weight: approx. 0.002g

Electrical Symbol:



Device Marking Code:



Electrical Characteristics ($T_A = 25^\circ\text{C}$ unless otherwise noted)

Off Characteristics

Symbol	Parameter	Test Condition	Limits			Unit
			Min	Typ	Max	
BV_{DSS}	Drain-Source Breakdown Voltage	$V_{GS}=0V, I_D=10\mu A$	30			Volts
I_{GSS}	Gate-Body Leakage	$V_{DS}=0V, V_{GS}=\pm 20V$			± 1	μA
I_{DSS}	Zero Gate Voltage Drain Current	$V_{DS}=30V, V_{GS}=0V$			1	μA

On Characteristics

Symbol	Parameter	Test Condition	Limits			Unit
			Min	Typ	Max	
$V_{th(GS)}$	Gate-Threshold Voltage	$V_{DS}= 3V, I_D=100\mu A$	0.8		1.5	Volts
$R_{DS(on)}$	Drain-Source On-Resistance	$V_{GS}=4V, I_D=10mA$			8	Ω
		$V_{GS}=2.5V, I_D=1mA$			13	Ω
g_{fs}	Forward Trans Conductance	$V_{DS}=3V, I_D=10mA$	20			ms
V_{SD}	Drain-Source Diode Forward Voltage	$I_S=115mA, V_{GS}=0V$			1.2	V

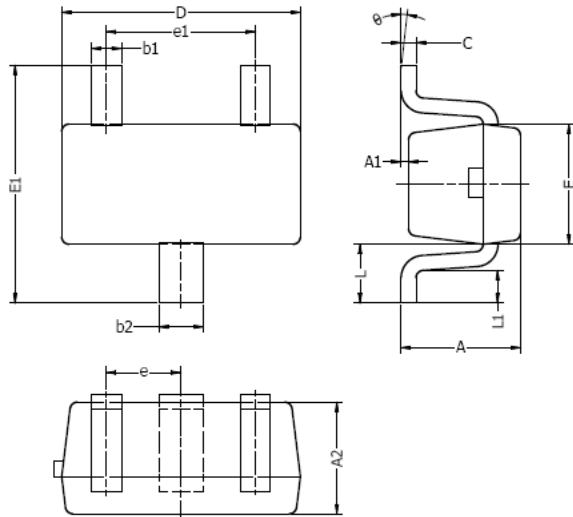
Dynamic Characteristics

Symbol	Parameter	Test Condition	Limits			Unit
			Min	Typ	Max	
C_{iss}	Input Capacitance	$V_{DS} = 5V$ $V_{GS} = 0V$ $f = 1.0MHz$		13		pF
C_{oss}	Output Capacitance			9		pF
C_{rss}	Reverse Transfer Capacitance			4		pF

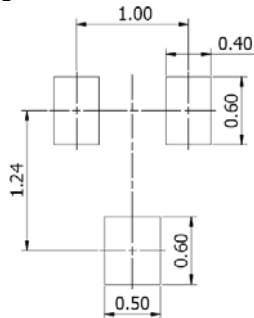
Switching Characteristics

Symbol	Parameter	Test Condition	Limits			Unit
			Min	Typ	Max	
$t_{D(on)}$	Turn-on Time	$V_{DD}=5V, R_L=500\Omega,$ $I_D=10mA, V_{GS}=5V,$ $R_G = 10\Omega$		15		nS
$t_{D(off)}$	Turn-off Time			80		nS

SOT-523 Package Outline



Typical Soldering Pattern:



DIM	MILLIMETERS		INCHES	
	MIN	MAX	MIN	MAX
A	0.70	0.90	0.028	0.035
A1	0.00	0.10	0.000	0.004
A2	0.70	0.80	0.028	0.031
b1	0.15	0.25	0.006	0.010
b2	0.25	0.35	0.010	0.014
c	0.10	0.20	0.004	0.008
D	1.50	1.70	0.059	0.067
E	0.70	0.90	0.028	0.035
E1	1.45	1.75	0.057	0.069
e	0.50 TYP.		0.020 TYP.	
e1	0.90	1.10	0.035	0.043
L	0.40 REF.		0.016 REF.	
L1	0.10	0.30	0.004	0.012
theta	0°	8°	0°	8°

NOTES:

1. Above package outline conforms to JEITA EAIJ ED-7500A SC-75A.
2. Dimensions are exclusive of Burrs, Mold Flash & Tie Bar extrusions.

X-ON Electronics

Largest Supplier of Electrical and Electronic Components

Click to view similar products for [MOSFET](#) category:

Click to view products by [Yongyutai Electronics](#) manufacturer:

Other Similar products are found below :

[IRFD120](#) [IRFF430](#) [JANTX2N5237](#) [2SK2267\(Q\)](#) [BUK455-60A/B](#) [TK100A10N1,S4X\(S](#) [MIC4420CM-TR](#) [VN1206L](#) [NDP4060](#) [SI4482DY](#)
[IRS2092STRPBF-EL](#) [IPS70R2K0CEAKMA1](#) [SQM120N06-3M5L-GE3](#) [TK31J60W5,S1VQ\(O](#) [TK31J60W,S1VQ\(O](#) [TK16J60W,S1VQ\(O](#)
[2SK2614\(TE16L1,Q\)](#) [DMN1017UCP3-7](#) [EFC2J004NUZTDG](#) [P85W28HP2F-7071](#) [NTE2384](#) [DMC2700UDMQ-7](#) [DMN2080UCB4-7](#)
[DMN61D9UWQ-13](#) [US6M2GTR](#) [DMN31D5UDJ-7](#) [DMP22D4UFO-7B](#) [IPS60R3K4CEAKMA1](#) [DMN1006UCA6-7](#) [DMN16M9UCA6-7](#)
[STF5N65M6](#) [IRF40H233XTMA1](#) [STU5N65M6](#) [DMN6022SSD-13](#) [DMN13M9UCA6-7](#) [DMTH10H4M6SPS-13](#) [IPS60R360PFD7SAKMA1](#)
[DMN2990UFB-7B](#) [SSM3K35CT,L3F](#) [IPLK60R1K0PFD7ATMA1](#) [2N7002W-G](#) [MCAC30N06Y-TP](#) [IPWS65R035CFD7AXKSA1](#)
[MCQ7328-TP](#) [SSM3J143TU,LXHF](#) [DMN12M3UCA6-7](#) [PJMF280N65E1_T0_00201](#) [PJMF380N65E1_T0_00201](#)
[PJMF280N60E1_T0_00201](#) [PJMF600N65E1_T0_00201](#)