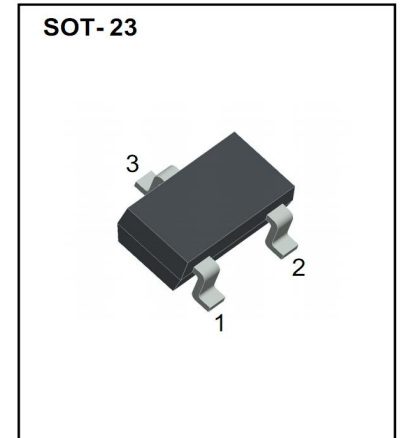
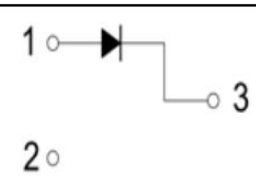
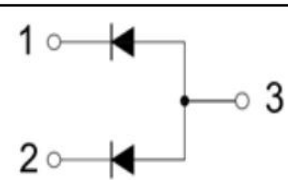
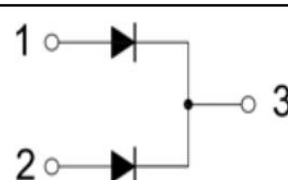
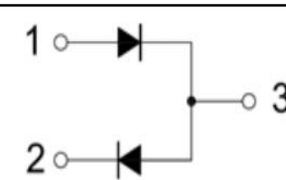


# MMBD4148A/CA/CC/SE

## FEATURES:

- High Conductance
- Fast Switching Speed
- For General Purpose Switching Applications



MMBD4148A	MMBD4148CA	MMBD4148CC	MMBD4148SE
			
<b>MARKING:5H</b>	<b>MARKING:D6</b>	<b>MARKING:D5</b>	<b>MARKING:D4</b>

Solid dot = Green molding compound device, if none, the normal device.

### Maximum ratings (@Ta=25°C)

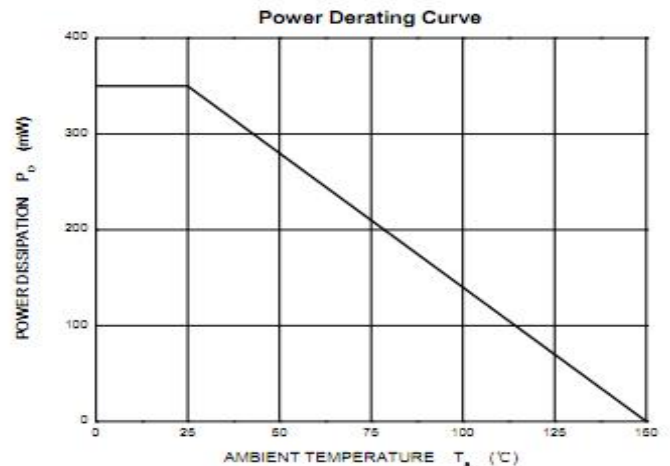
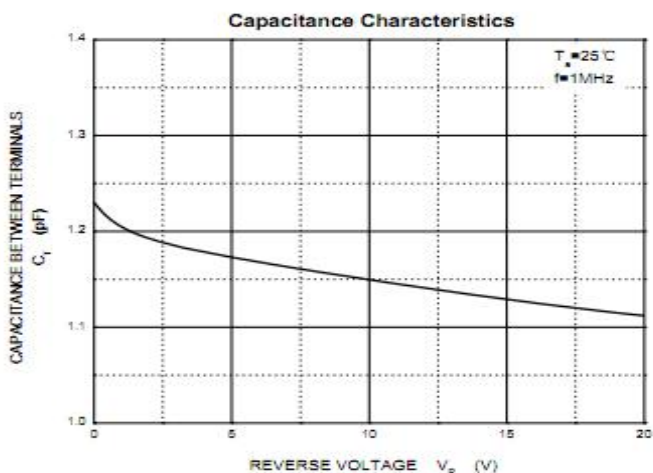
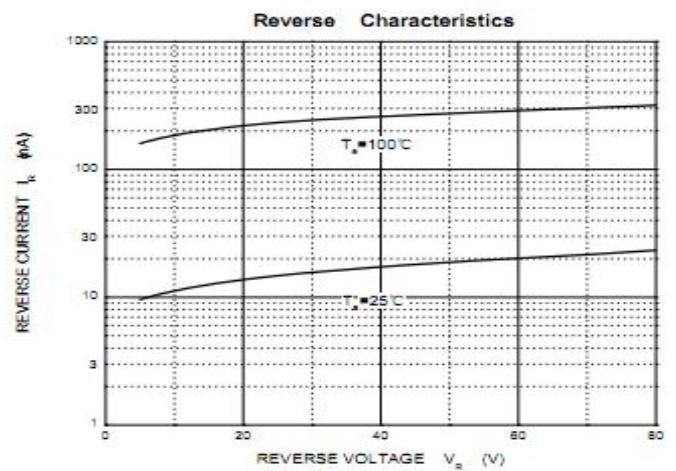
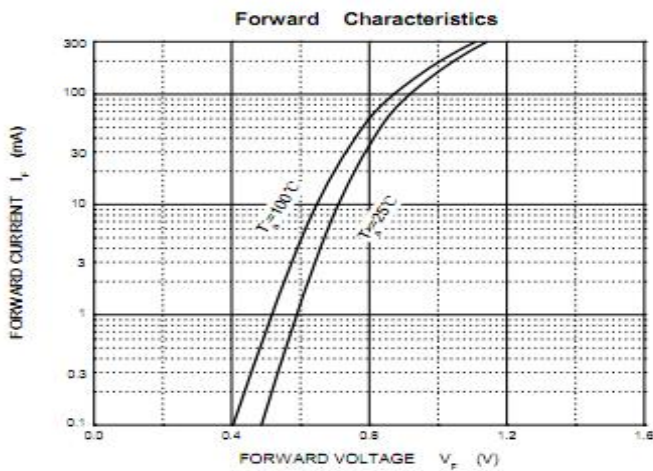
Parameter	Symbol	Limit	Unit
Non-Repetitive Peak Reverse Voltage	VRM	100	V
Peak Repetitive Peak Reverse Voltage	VRRM	100	V
Working Peak Reverse Voltage	VRWM	100	V
DC Blocking Voltage	VR	100	V
RMS Reverse Voltage	VR(RMS)	72	V
Forward Continuous Current	IFM	300	mA
Average Rectified Output Current	Io	200	mA
Non-Repetitive Peak Forward Surge Current @t=8.3ms	IFSM	2.0	A
Power Dissipation	PD	350	mW
Thermal Resistance from Junction to Ambient	RθJA	357	°C/W
Junction Temperature	TJ	150	°C
Storage Temperature Range	TSTG	-55~+150	°C

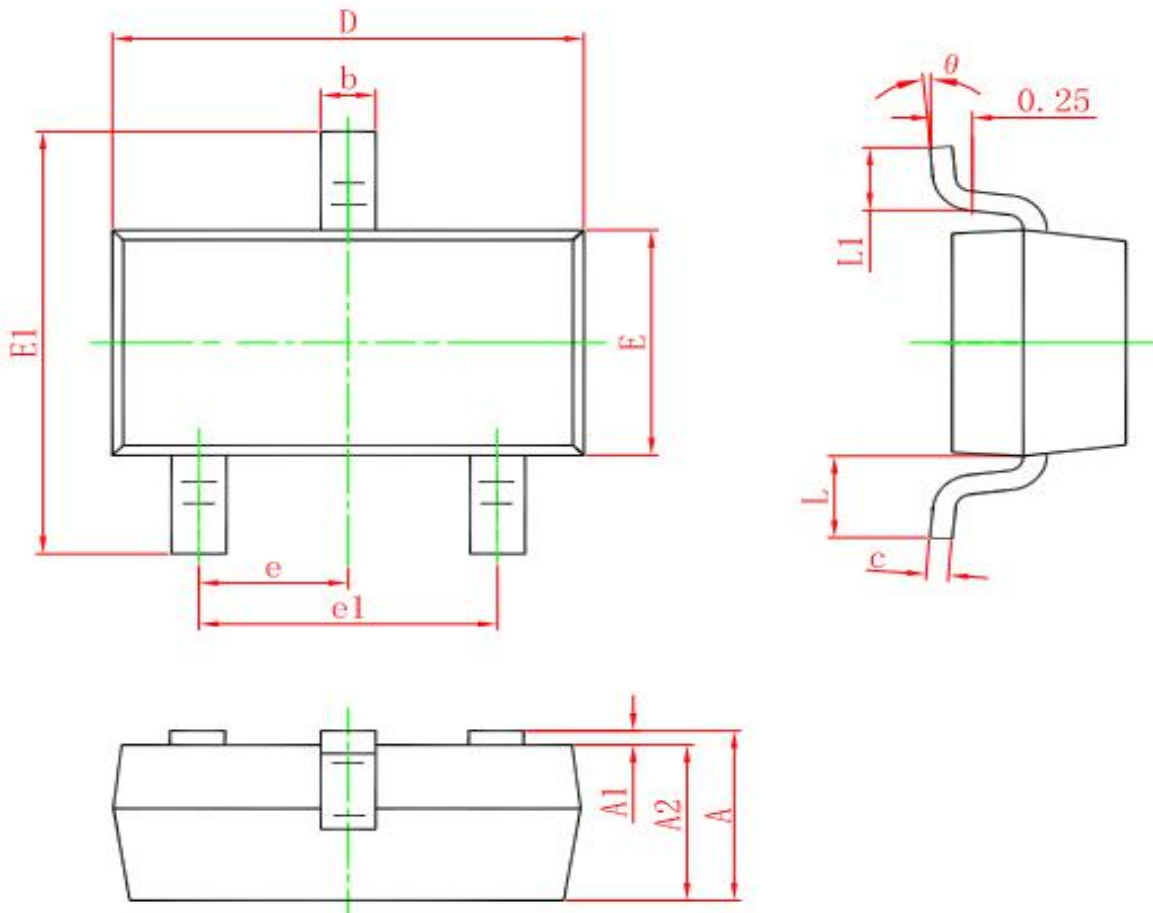
# MMBD4148A/CA/CC/SE

## Electrical ratings (@Ta=25°C )

Parameter	Symbol	Test Condition	Min	Typ	Max	Unit
Reverse breakdown voltage	V(BR)1	IR=100μA	100			V
	V(BR)2	IR=100μA	75			V
Forward voltage	VF2	IF=10mA			1	V
Reverse current	IR1	VR=75V			5	uA
	IR2	VR=25V			25	nA
Capacitance between terminals	Ctot	VR=0V, f=1MHz			4	PF
Reverse recovery time	t <sub>rr</sub>	IF=IR=10mA, VR=6V I <sub>rr</sub> =0.1×IR, RL= 100Ω			4	nS

## Typical Characteristics



**SOT-23 PACKAGE OUTLINE DIMENSIONS**


Symbol	Dimensions In Millimeters		Dimensions In Inches	
	Min.	Max.	Min.	Max.
A	0.900	1.150	0.035	0.045
A1	0.000	0.100	0.000	0.004
A2	0.900	1.050	0.035	0.041
b	0.300	0.500	0.012	0.020
c	0.080	0.150	0.003	0.006
D	2.800	3.000	0.110	0.118
E	1.200	1.400	0.047	0.055
E1	2.250	2.550	0.089	0.100
e	0.950 TYP.		0.037 TYP.	
e1	1.800	2.000	0.071	0.079
L	0.550 REF.		0.022 REF.	
L1	0.300	0.500	0.012	0.020
θ	0°	8°	0°	8°

## X-ON Electronics

Largest Supplier of Electrical and Electronic Components

*Click to view similar products for* [Diodes - General Purpose, Power, Switching category:](#)

*Click to view products by* [Yongyutai Electronics manufacturer:](#)

Other Similar products are found below :

[MCL4151-TR3](#) [MMBD3004S-13-F](#) [RD0306T-H](#) [BAV17-TR](#) [BAV19-TR](#) [1N3611](#) [NTE156A](#) [NTE574](#) [NTE6244](#) [1SS181-TP](#)  
[1SS400CST2RA](#) [SDAA13](#) [SHN2D02FUTW1T1G](#) [LS4151GS08](#) [1N4449](#) [1N456A](#) [1N4934-E3/73](#) [1N914B](#) [1N914BTR](#) [1SS226-TP](#)  
[RFUH20TB3S](#) [D291S45T](#) [BAV300-TR](#) [BAW56DWQ-7-F](#) [BAW75-TAP](#) [MM230L-CAA](#) [IDW40E65D1](#) [JAN1N3600](#) [JAN1N4153-1](#)  
[JAN1N4454-1](#) [JAN1N4454UR-1](#) [LL4151-GS18](#) [053684A](#) [SMMSD4148T3G](#) [707803H](#) [NSVDAN222T1G](#) [CDSZC01100-HF](#) [LL4150-M-08](#)  
[1N4454-TR](#) [BAV199E6433HTMA1](#) [BAV70HDW-7](#) [BAS28-7](#) [JANTX1N6640](#) [BAW56HDW-13](#) [BAS28 TR](#) [VS-HFA04SD60STR-M3](#)  
[NSVM1MA152WKT1G](#) [1SS388-TP](#) [RGP30D-E3/73](#) [VS-8EWF02S-M3](#)