

MMBT2222

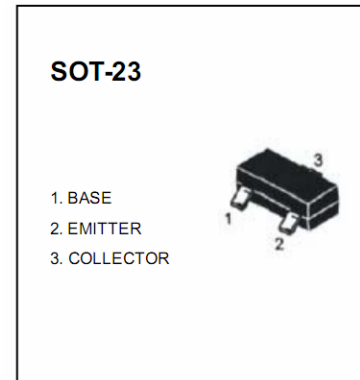
SOT-23 Plastic-Encapsulate Transistors

MMBT2222 TRANSISTOR (NPN)

FEATURES

Complimentary to MMBT2907

MARKING:1P



MAXIMUM RATINGS (TA=25°C unless otherwise noted)

| Symbol (符号) | Parameter (参数名称) | Value (额定值) | Units (单位) |
|----------------|---------------------------------------|----------------|---------------|
| VCBO | Collector-Base Voltage (集电极-基极电压) | 75 | V |
| VCEO | Collector-Emitter Voltage (集电极-发射极电压) | 40 | V |
| VEBO | Emitter-Base Voltage (发射极-基极电压) | 6 | V |
| IC | Collector Current -Continuous (集电极电流) | 0.6 | A |
| PC | Collector Power Dissipation (耗散功率) | 0.3 | W |
| Tj | Junction Temperature (结温) | 150 | °C |
| Tstg | Storage Temperature (储存温度) | -55-150 | °C |

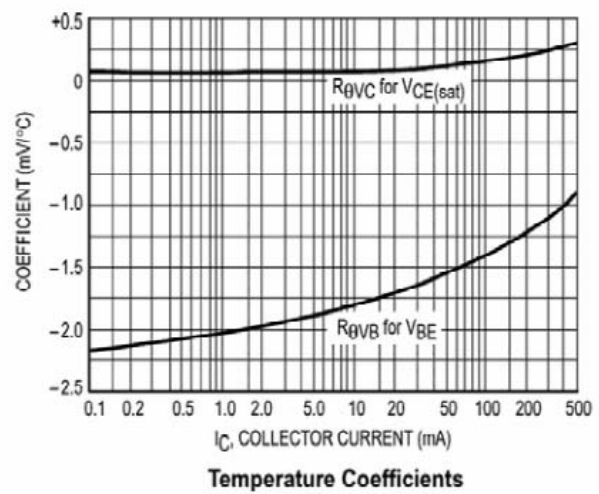
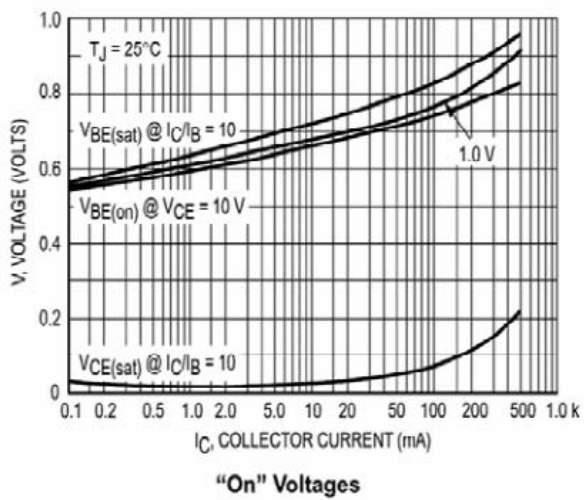
ELECTRICAL CHARACTERISTICS (Tamb=25°C unless otherwise specified)

| Parameter (参数名称) | Symbol (符号) | Test conditions (测试条件) | MIN (最小值) | TYP (典型值) | MAX (最大值) | UNIT (单位) |
|---|----------------|---------------------------|--------------|--------------|--------------|--------------|
| Collector-base breakdown voltage 集电极-基极击穿电压 | V(BR)CBO | IC= 100μA, IE=0 | 75 | | | V |
| Collector-emitter breakdown voltage 集电极-发射极击穿电压 | V(BR)CEO | IC= 1mA, IB=0 | 40 | | | V |
| Emitter-base breakdown voltage 发射极-基极击穿电压 | V(BR)EBO | IE=100μA, IC=0 | 6 | | | V |
| Collector cut-off current 集电极-基极截止电流 | ICBO | VCB=60 V, IE=0 | | | 1 | μA |
| Collector cut-off current 集电极-发射极截止电流 | ICEO | VCE=30V, IB=0 | | | 10 | μA |
| Emitter cut-off current 发射极-基极截止电流 | IEBO | VEB=5V, IC=0 | | | 1 | μA |
| DC current gain 直流电流增益 | hFE | VCE=10V, IC= 150mA | 100 | | 400 | |
| Collector-emitter saturation voltage 集电极-发射极饱和压降 | VCE(sat) | IC=150mA, IB= 15mA | | | 0.3 | V |
| Base-emitter saturation voltage 发射极-基极饱和压降 | VBE(sat) | IC=150mA, IB= 15mA | | | 1.2 | V |

CLASSIFICATION OF hFE

| Range | 100-300 | 300-400 | | |
|-------|---------|---------|--|--|
| | | | | |

Typical Characteristics



X-ON Electronics

Largest Supplier of Electrical and Electronic Components

Click to view similar products for [Bipolar Transistors - BJT category](#):

Click to view products by [Yongyutai Electronics manufacturer](#):

Other Similar products are found below :

[619691C](#) [MCH4017-TL-H](#) [MMBT-2369-TR](#) [BC546/116](#) [BC557/116](#) [BSW67A](#) [NJVMJD148T4G](#) [NTE123AP-10](#) [NTE153MCP](#) [NTE16](#)
[NTE195A](#) [NTE92](#) [2N4401-A](#) [2N6728](#) [2SA1419T-TD-H](#) [2SA2126-E](#) [2SB1204S-TL-E](#) [2SC2712S-GR,LF](#) [SP000011176](#) [2N2907A](#) [2N3904-](#)
[NS](#) [2N5769](#) [2SC2412KT146S](#) [CPH6501-TL-E](#) [MCH4021-TL-E](#) [MJE340](#) [Jantx2N5416](#) [US6T6TR](#) [NJL0281DG](#) [732314D](#) [CPH3121-TL-E](#)
[CPH6021-TL-H](#) [873787E](#) [IMZ2AT108](#) [MMST8098T146](#) [UMX21NTR](#) [MCH6102-TL-E](#) [NJL0302DG](#) [30A02MH-TL-E](#) [NTE13](#) [NTE26](#)
[NTE282](#) [NTE323](#) [NTE350](#) [NTE81](#) [STX83003-AP](#) [JANTX2N2920L](#) [JANSR2N2222AUB](#) [CMLT3946EG TR](#) [2SA1371D-AE](#)