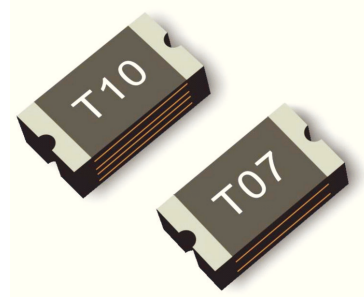


Features

- ◆ Surface Mount Devices
- ◆ Standard 3216mm(1206mils) footprint
- ◆ Surface mount packaging for automated assembly
- ◆ Compatible with Pb and Pb-free solder Re flow profiles.
- ◆ RoHS, Reach, HF compliance

Applications

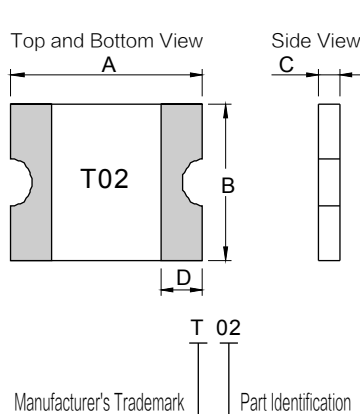
- ◆ Mobile phones– Battery and port protection
- ◆ PC motherboards – Plug and Play protection
- ◆ PDAS/Digital cameras
- ◆ USB port protection
- ◆ HDMI source protection
- ◆ Game console port protection



电气特性：

| P/N | 保持电流 | 跳脱电流 | 最大电压 | 最大电流 | 最大动作时间 | | 消耗功率 | 电阻范围 (Ω) | |
|---------|-------------|-------------|-----------------|-----------------|--------|--------|------------------|-------------|--------------|
| | I_H , (A) | I_T , (A) | V_{max} , (V) | I_{max} , (A) | (A) | (Sec.) | Pd_{typ} , (W) | R_{min} , | $R1_{max}$, |
| NSMD005 | 0.05 | 0.15 | 30 | 10 | 0.25 | 1.50 | 0.40 | 2.500 | 40.00 |
| NSMD010 | 0.10 | 0.25 | 30 | 10 | 0.50 | 1.20 | 0.40 | 1.400 | 15.00 |
| NSMD012 | 0.12 | 0.29 | 30 | 10 | 1.00 | 0.20 | 0.40 | 1.350 | 8.500 |
| NSMD020 | 0.20 | 0.46 | 24 | 10 | 1.00 | 0.60 | 0.60 | 0.600 | 2.600 |
| NSMD025 | 0.25 | 0.55 | 16 | 10 | 1.25 | 0.60 | 0.60 | 0.400 | 2.400 |
| NSMD035 | 0.35 | 0.75 | 6 | 40 | 8.00 | 0.10 | 0.60 | 0.300 | 1.200 |
| NSMD050 | 0.50 | 1.00 | 13.2 | 40 | 8.00 | 0.10 | 0.40 | 0.150 | 0.750 |
| NSMD075 | 0.75 | 1.50 | 6 | 100 | 8.00 | 0.10 | 0.40 | 0.100 | 0.400 |
| NSMD100 | 1.00 | 2.00 | 6 | 100 | 8.00 | 0.10 | 0.60 | 0.060 | 0.280 |
| NSMD110 | 1.10 | 2.20 | 6 | 100 | 8.00 | 0.10 | 0.60 | 0.060 | 0.280 |
| NSMD150 | 1.50 | 3.00 | 6 | 100 | 8.00 | 0.30 | 0.60 | 0.030 | 0.170 |
| NSMD200 | 2.00 | 4.00 | 6 | 100 | 8.00 | 1.00 | 0.70 | 0.020 | 0.120 |

产品尺寸 (Unit: mm)：

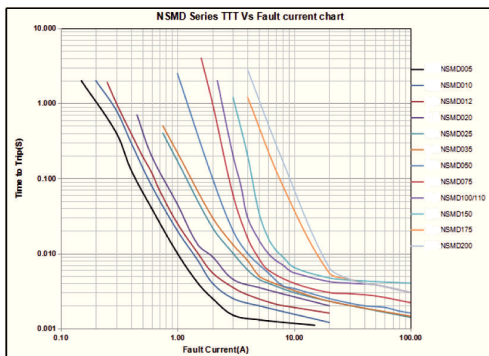


| P/N | Marking (标识) | A | | B | | C | | D |
|---------|--------------|------|------|------|------|------|------|------|
| | | Min. | Max. | Min. | Max. | Min. | Max. | Min. |
| NSMD005 | T0 | 3.00 | 3.40 | 1.40 | 1.80 | 0.80 | 1.20 | 0.25 |
| NSMD010 | T1 | 3.00 | 3.40 | 1.40 | 1.80 | 0.80 | 1.20 | 0.25 |
| NSMD012 | T01 | 3.00 | 3.40 | 1.40 | 1.80 | 0.80 | 1.20 | 0.25 |
| NSMD020 | T02 | 3.00 | 3.40 | 1.40 | 1.80 | 0.60 | 1.00 | 0.25 |
| NSMD025 | T03 | 3.00 | 3.40 | 1.40 | 1.80 | 0.60 | 1.00 | 0.25 |
| NSMD035 | T04 | 3.00 | 3.40 | 1.40 | 1.80 | 0.60 | 1.00 | 0.25 |
| NSMD050 | T05 | 3.00 | 3.40 | 1.40 | 1.80 | 0.55 | 0.75 | 0.25 |
| NSMD075 | T07 | 3.00 | 3.40 | 1.40 | 1.80 | 0.45 | 0.85 | 0.25 |
| NSMD100 | T10 | 3.00 | 3.40 | 1.40 | 1.80 | 0.60 | 1.00 | 0.25 |
| NSMD110 | T10 | 3.00 | 3.40 | 1.40 | 1.80 | 0.60 | 1.00 | 0.25 |
| NSMD150 | T15 | 3.00 | 3.40 | 1.40 | 1.80 | 0.60 | 1.00 | 0.25 |
| NSMD200 | T20 | 3.00 | 3.50 | 1.40 | 1.80 | 0.60 | 1.00 | 0.25 |

环境温度与工作电流关系特性曲线：

| P/N | 工作环境温度 | | | | | | | | |
|---------|--------|------|------|------|------|------|------|------|------|
| | -40℃ | -20℃ | 0℃ | 25℃ | 40℃ | 50℃ | 60℃ | 70℃ | 85℃ |
| NSMD005 | 0.08 | 0.07 | 0.06 | 0.05 | 0.05 | 0.04 | 0.04 | 0.03 | 0.03 |
| NSMD010 | 0.16 | 0.14 | 0.13 | 0.10 | 0.09 | 0.08 | 0.08 | 0.07 | 0.06 |
| NSMD012 | 0.19 | 0.17 | 0.15 | 0.12 | 0.11 | 0.10 | 0.09 | 0.08 | 0.07 |
| NSMD020 | 0.30 | 0.27 | 0.24 | 0.20 | 0.18 | 0.16 | 0.14 | 0.12 | 0.11 |
| NSMD025 | 0.38 | 0.34 | 0.30 | 0.25 | 0.23 | 0.20 | 0.18 | 0.15 | 0.14 |
| NSMD035 | 0.51 | 0.46 | 0.40 | 0.35 | 0.30 | 0.27 | 0.24 | 0.22 | 0.18 |
| NSMD050 | 0.76 | 0.68 | 0.59 | 0.50 | 0.44 | 0.40 | 0.35 | 0.32 | 0.26 |
| NSMD075 | 1.11 | 1.00 | 0.85 | 0.75 | 0.67 | 0.61 | 0.52 | 0.50 | 0.42 |
| NSMD100 | 1.60 | 1.40 | 1.30 | 1.00 | 0.90 | 0.80 | 0.75 | 0.70 | 0.60 |
| NSMD110 | 1.64 | 1.46 | 1.30 | 1.10 | 0.92 | 0.83 | 0.80 | 0.65 | 0.52 |
| NSMD150 | 2.20 | 1.99 | 1.77 | 1.50 | 1.34 | 1.23 | 1.10 | 1.01 | 0.84 |
| NSMD200 | 2.88 | 2.61 | 2.28 | 2.00 | 1.80 | 1.66 | 1.51 | 1.39 | 1.19 |

动作电流时间曲线表：



The Time to Trip curves represent typical performance of a device in a simulated application environment. Actual performance in specific customer applications may differ from these values due to the influence of other variables.

标准包装数量：

| Model | Q'ty/Reel |
|----------------------------------|-----------|
| NSMD005~NSMD012; NSMD100~NSMD200 | 3500pcs |
| NSMD020~NSMD075 | 4000pcs |

Note: Reel packaging per EIA-481-1 standard

X-ON Electronics

Largest Supplier of Electrical and Electronic Components

Click to view similar products for [Resettable Fuses - PPTC](#) category:

Click to view products by [Yongyutai Electronics](#) manufacturer:

Other Similar products are found below :

[RF0077-000](#) [RF0627-000](#) [RF3301-000](#) [RF3382-000](#) [SMD125-2](#) [RF1973-000](#) [RF2531-000](#) [RF2873-000](#) [RF3060-000](#) [TR600-150Q-B-0.5-0.130](#) [RXE090](#) [5E4795/04-1502](#) [TRF250-080T-B-1.0-0.125](#) [SMD100-2](#) [NIS5431MT1TXG](#) [SMD250-2](#) [RS30-090](#) [RS30-600](#) [RS30-800](#) [RS30-900](#) [RS60RB-160](#) [RS60SB-250](#) [SB250-145](#) [0ZCH0110AF2E](#) [0603L001/60YR](#) [0603L003/36YR](#) [BK250-120-SZ-E0.6](#) [BK60-010-DI-E0.5](#) [BK250-040-DY-E0.6](#) [RF2631-000](#) [NIS5420MT2TXG](#) [NIS5420MT3TXG](#) [NIS6420MT1TWG](#) [RF5032-000](#) [RF5051-000](#) [RF5034-000](#) [RF5105-000](#) [RF5062-000](#) [RF5055-000](#) [RF5052-000](#) [2920L075/72MR](#) [BSMD0603-025-24V](#) [BSMD0402L-005](#) [BSMD0603-010-9V](#) [BSMD1812-020-60V](#) [BSMD2920-400-30V](#) [BSMD0603-010-12V](#) [BSMD0805-035-30V](#) [BSMD1210-150-16V](#) [BSMD0805-003-60V](#)