

Feature summary

- Programmable charge current up to 600mA
- No external MOSFET, sense resistors or blocking diode required
- Constant current / constant voltage operation with thermal regulation to maximize charge rate without risk of overheating
- Charges single cell li-ion batteries directly from USB port
- Preset 4.2V charge voltage with 1% accuracy
- Automatic recharge
- Soft-Start Limits Inrush Current
- 30µA Supply Current in Shutdown
- C/10 Charge termination
- 2.9V Trickle Charge Threshold

Applications

- Cellular telephones
- PDAs
- Bluetooth applications
- Battery-powered devices

Description

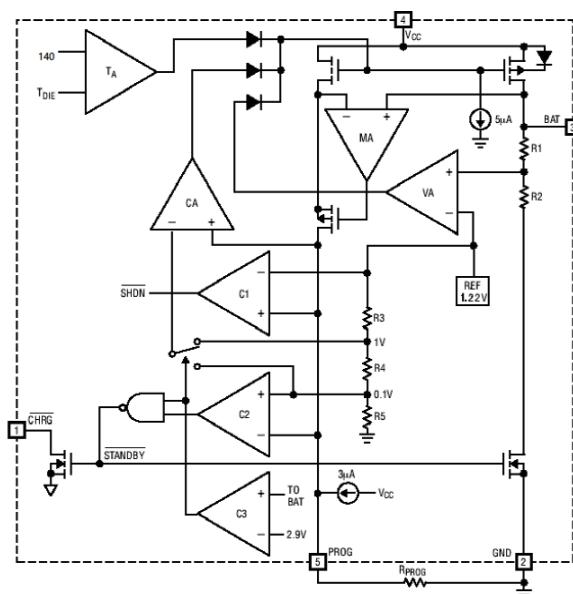
The TP4057 is a constant current/constant voltage charger for single cell Li-Ion batteries. No external sense resistor or blocking diode is required and its SOT package make it ideally suited for portable applications.

The TP4057 is designed to work within USB power specifications. An internal block regulates the current when the junction temperature increases, in order to protect the device when it operates in high power or high ambient temperature.

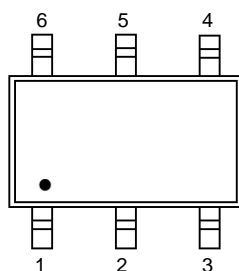
The charge voltage is fixed at 4.2V, and the charge current limitation can be programmed using a single resistor connectd between PROG pin and GND. The charge cycle is automatically terminated when the current flowing to the battery is 1/10 of the programmed value. If the external adaptor is removed, the TP4057 turns off and a 2µA current can flow from the battery to the device. The device can be put into Shutdown Mode, reducing the supply current to 30µA. The device also has a charge current monitor, undervoltage lockout, automatic recharge. The device is packaged in SOT-23-6L.



Block diagram



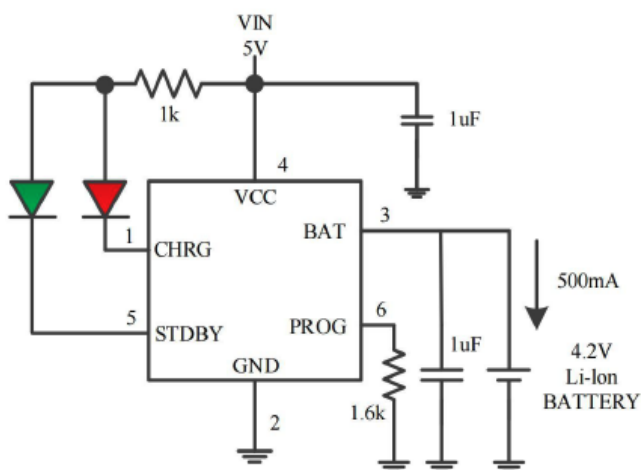
Packages And Pin Assignment



SOT-23-6L Top view

| Pin No. | Pin Name | Pin Description |
|---------|----------|---|
| 1 | CHRG | Open Drain. This pin goes in low impedance when the TP4057 is in precharge or charge mode |
| 2 | GND | Ground pin |
| 3 | BAT | This pin provides an accurate 4.2V output voltage and the charge current to the battery. Only 2 μ A reverse current can flow in to the device when in Shutdown mode |
| 4 | VCC | Input Supply voltage. The input range is from 4.25V to 6.5V. If $V_{CC} < V_{BAT} + 30mV$ the device enters Shutdown mode and the sinked IBAT is less than 2 μ A |
| 5 | STDBY | Battery Charge Complete Indication End |
| 6 | PROG | Charge current program. Charge Current monitor and Shutdown pin |

Application circuit





Absolute Maximum Ratings

| Symbol | Parameter | Value | Unit |
|-------------------|--------------------------------------|----------|------|
| V _{CC} | Input supply voltage | -0.3~6.5 | V |
| V _{BAT} | BAT pin voltage | -4.2~5.5 | V |
| V _{PROG} | PROG pin voltage | -0.3~5.0 | V |
| V _{CHRG} | CHRG pin voltage | -0.3~5.0 | V |
| I _{BAT} | BAT pin current | 600 | mA |
| I _{PROG} | PROG pin current | 1.0 | uA |
| P _D | Power dissipation | 0.3 | W |
| T _J | Max junction temperature | 125 | °C |
| T _{STG} | Storage temperature range | -40~125 | °C |
| T _{OP} | Operating junction temperature range | -40~85 | °C |
| R _{thJC} | Thermal resistance junction-case | 81 | °C/W |
| R _{thJA} | Thermal resistance junction-ambient | 250 | °C/W |

Electrical Characteristics

(At T_J=25°C, V_{BAT}=3.6V, V_{CC}=5V, unless otherwise noted)

| Symbol | Parameter | Test Conditions | Min. | Typ. | Max. | Unit |
|-----------------------|---|--|-------|-------|-------|------|
| V _{CC} | Supply voltage | - | 4.0 | 5.0 | 6.5 | V |
| I _{CC} | Supply current | Charge mode, R _{PROG} = 10KΩ, | - | 150 | 500 | uA |
| | | Standby mode (charge terminated) | - | 30 | 100 | uA |
| | | Shutdown mode R _{PROG} not connected V _{CC} < V _{BAT} or V _{CC} < V _{UV} | - | 30 | 100 | uA |
| V _{FLOAT} | Termination output voltage | 0°C ≤ T _A ≤ 85°C, R _{PROG} = 2KΩ | 4.158 | 4.20 | 4.242 | V |
| I _{BAT} | BAT pin current | Current mode R _{PROG} = 10KΩ | 90 | 100 | 110 | mA |
| | | Current mode R _{PROG} = 2.5KΩ | 360 | 400 | 440 | mA |
| | | Current mode R _{PROG} = 2KΩ | 470 | 500 | 530 | mA |
| | | Standby mode V _{BAT} = 4.2V | - | -2.50 | -6.0 | uA |
| | | Shutdown mode (R _{PROG} not connected) | - | ±1 | ±2 | uA |
| | | Sleep mode, V _{CC} = 0V | - | -1.0 | - | uA |
| I _{TRIKL} | Pre-charge current | V _{BAT} < V _{TRIKL} , R _{PROG} = 10KΩ | 27 | 30 | 33 | mA |
| V _{TRIKL} | Pre-charge threshold | R _{PROG} = 10KΩ, V _{BAT} falling | 2.8 | 2.9 | 3.0 | V |
| V _{TRHYS} | | R _{PROG} = 10K | - | 80 | - | mV |
| V _{UV} | V _{CC} Undervoltage lockout | V _{CC} Low to High | 3.6 | 3.8 | 4.0 | V |
| V _{MSD} | Manual shutdown threshold | P _{ROG} Pin Rising | - | 3.5 | - | V |
| | | P _{ROG} Pin Falling | - | 2.6 | - | V |
| V _{ASD} | V _{CC} -V _{BAT} Lockout threshold | V _{CC} Low to High | - | 120 | - | mV |
| | | V _{CC} High to Low | - | 80 | - | mV |
| I _{TERM} | C/10 Termination current threshold | R _{PROG} = 10KΩ | - | 15 | - | mA |
| | | R _{PROG} = 2KΩ | - | 75 | - | mA |
| V _{PROG} | PROG pin voltage | Current Mode R _{PROG} = 10KΩ | 0.9 | 1.0 | 1.1 | V |
| V _{CHRG} | CHRG Pin pull-down voltage | I _{CHRG} = 5mA | - | 0.3 | 0.6 | V |
| ΔV _{RECHRG} | Recharger battery threshold voltage | V _{FLOAT} - V _{RECHRG} | 80 | 100 | 120 | mV |
| T _{LIM} | Junction temperature in constant current mode | - | - | 140 | - | °C |
| R _{ON} | Power Fet "ON" resistance (Between V _{CC} and BAT) | - | - | 1.1 | - | Ω |
| t _{SS} | Soft-start time | I _{BAT} = 0 to I _{BAT} = 1000V/R _{PROG} | - | 20 | - | us |
| t _{RECHARGE} | Recharge comparator filter time | V _{BAT} High to Low | 0.8 | 2.0 | 4.0 | ms |
| t _{TERM} | Termination comparator filter time | I _{BAT} Falling Below I _{CHG} /10 | 0.8 | 2.0 | 4.0 | ms |
| I _{PROG} | PROG pin pull-up current | - | - | 2.0 | - | uA |



Application information

The TP4057 uses an internal P -Channel MOSFET to work in constant current and constant voltage method. It is able to provide up to 600mA with a final regulated output voltage of $4.2V \pm 1\%$ in full temperature range. No blocking diode and sensing resistor are required. It is also possible to use an USB port as power supply voltage.

Charge cycle

A charge cycle begins when the voltage at the V_{CC} pin rises above the UVLO threshold level, the R_{PROG} program resistor of 1% is connected between the PROG pin to GND pin and when a battery is connected to the charger output. If the battery voltage is below 2.9V, the charger enters in Trickle Charge mode. In this condition, the device supplies 1/10 of the programmed charge current to bring the battery voltage up to safe level otherwise the life of a battery is reduced. If the BAT pin voltage is higher than 2.9V the charger enters in Constant Current Mode. When the BAT pin voltage is close to the final float voltage (4.2V) the device enters in Constant Voltage Mode and the charge current begins to decrease. The charge cycle is terminated when the current drops to 15% of the programmed value.

V_{CC} Pin

Input Supply Voltage. This pin is used to supply the device in the range from 4.25V to 6.5V voltage. A bypass capacitor of $1\mu F$ is recommended for use. When V_{CC} value drops of 30mV of the BAT pin voltage, the device enters in Shutdown Mode, dropping I_{BAT} to less than $2\mu A$.

CHRG pin

This is a flag open drain. It indicates three different status of the output. When the charge is in progress this pin is pulled low instead at the end of the charge cycle, a weak pull down of approximately $20\mu A$ is connected to the CHRG pin, indicating a present supply power; if the flag is forced high impedance an under voltage condition is detected.

PROG pin

Charge Current Program, Charge Current Monitor and Shutdown Pin. The charge current is programmed by connecting a 1% resistor, R_{PROG} , to ground. When the device is charging in constant current, the value of voltage on this pin is 1.0V. In other conditions, the voltage on this pin can be used to measure the charge current using the following formula:

$$I_{BAT} = (V_{PROG}/R_{PROG}) * 1000$$

The PROG pin is used to shut down the device, disconnecting the program resistor from ground a $1\mu A$ current flows to pull the PROG pin high. If the value of this Pin is 1.21V (shutdown threshold voltage), the device enters Shutdown mode and the input supply current drops to $55\mu A$. Driving this pin to voltage beyond 2.4V a current of $35\mu A$ flows into the device from PROG pin.

Programming charge current

The R_{PROG} resistor is used to set the charge current value. The battery charge current is 1000 times the Prog pin current value. The program resistor and the charge current are calculated using the following formula:

$$R_{PROG} = 1000 * V_{PROG} / I_{BAT};$$

The charge current out of the BAT pin can be monitored through the PROG pin voltage using the following equation:

$$I_{BAT} = (V_{PROG} / R_{PROG}) * 1000$$



Charge status indicator (CHRG)

The TP4057 has an open-drain status indication output. When the charger is in the charging state, the CHRG is pulled to low level, in other states, CHRG is in a high-impedance state. When the battery is not connected to the charger, the CHRG outputs a pulse signal. Indicates that no battery is installed. When the external capacitance of the BAT pin at the battery connection end is 10uF, the CHRG flashing cycle is about 1-2 Second. When the status indication function is not in use, the status indication output is terminated to ground.

BAT pin

Charge Current Output pin. It provides charge current to the battery and regulates the final float voltage to 4.2V. An internal precision resistor is used as a feedback loop to compare the V_O with the reference.

Charge termination

A charge cycle is terminated when the final float voltage is reached consequently the charge current falls to 15% of the programmed value. The charge is over when the PROG pin voltage falls below 150mV for longer time than t_{TERM} (~2ms). The charge current is latched off, the device enters in standby mode and the input supply current drops to 30uA.

Automatic recharge

The device restarts the charge cycle when the battery voltage falls below 4.05V to maintain the battery capacity value higher than 80%. During the recharge time, the CHRG pin goes low state.

Soft start

When a charge cycle starts, a internal soft start circuit minimizes the inrush current. At starting phase, the charge current ramps from zero to the full scale in a 100uS period time.

Thermal regulation

An internal thermal feedback loop reduces the output current if the die temperature attempts to rise above a present value of approximately 140°C. This feature protects the device from excessive temperature and allows the user to push the limits of the power handling capability of a given circuit board without risk of damaging the device.

Power dissipation

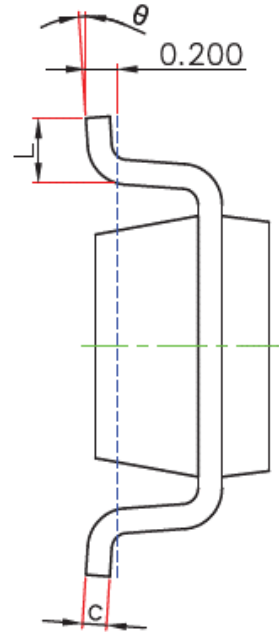
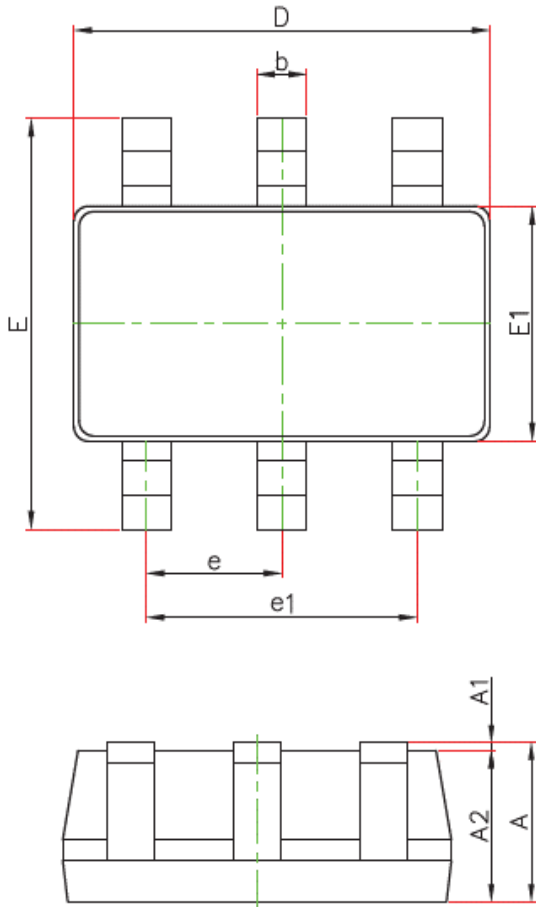
It is very important to use a good thermal PC board layout to maximize the available output current. The thermal path for the heat generated by the IC is from the die to the copper lead frame through the package leads and exposed pad to the PC board copper. The PC board copper is the heat sink. The footprint copper pads should be as wide as possible and expand out to larger copper areas to spread and dissipate the heat to the surrounding ambient. Feed through vias to inner or backside copper layers are also useful in improving the overall thermal performance of the device. Other heat sources on the board, not related to the device, must also be considered when designing a PC board layout because they will affect overall temperature rise and the maximum output current.

Stability considerations

The TP4057 contains two control loops: constant voltage and constant current. The constant-voltage loop is stable without any compensation when a battery is connected with low impedance leads. Excessive lead length, however, may add enough series inductance to require a bypass capacitor of at least 1uF from BAT to GND. Furthermore, a 4.7uF capacitor with a 0.2Ω to 1Ω series resistor from BAT to GND is required to keep ripple voltage low when the battery is disconnected.



SOT-23-6L Package information



| Symbol | Dimensions in Millimeters(mm) | | Dimensions In Inches | |
|--------|-------------------------------|-------|----------------------|-------|
| | Min | Max | Min | Max |
| A | 1.050 | 1.200 | 0.041 | 0.047 |
| A1 | 0.000 | 0.100 | 0.000 | 0.004 |
| A2 | 1.000 | 1.200 | 0.039 | 0.047 |
| b | 0.300 | 0.500 | 0.012 | 0.020 |
| c | 0.100 | 0.150 | 0.004 | 0.006 |
| D | 2.800 | 3.000 | 0.110 | 0.118 |
| E1 | 1.500 | 1.700 | 0.059 | 0.067 |
| E | 2.600 | 3.000 | 0.102 | 0.118 |
| e | 0.950TYP | | 0.037TYP | |
| e1 | 1.800 | 2.000 | 0.071 | 0.079 |
| L | 0.300 | 0.600 | 0.012 | 0.024 |
| K | 0° | 8° | 0° | 8° |

X-ON Electronics

Largest Supplier of Electrical and Electronic Components

Click to view similar products for [Battery Management](#) category:

Click to view products by [Yongyutai Electronics](#) manufacturer:

Other Similar products are found below :

[NCP1851BFCCT1G](#) [NCP1855FCCT1G](#) [FAN54063UCX](#) [MP2615GQ-P](#) [LC05132C01NMTTTG](#) [ISL95522HRZ](#) [BD8665GW-E2](#)
[ISL95522AIRZ](#) [S-82D1AAE-A8T2U7](#) [S-82D1AAA-A8T2U7](#) [S-8224ABA-I8T1U](#) [MP2615CGQ-P](#) [ISL6251HRZ](#) [ISL6253HRZ](#) [ISL6292-2CR3](#) [ISL6292BCRZ-T](#) [ISL6299AIRZ](#) [ISL9211AIRU58XZ-T](#) [ISL9214IRZ](#) [ISL9220IRTZ-T](#) [FAN54161UCX](#) [DW01-A/J](#) [DW01A](#) [4056H](#)
[4056D](#) [TP4056](#) [TP4054](#) [TP4057](#) [IP2326_NPD](#) [IP2709_BF20WP](#) [TP4057](#) [TP4054](#) [TP4056-MS](#) [TP4057-MS](#) [TP4054-MS](#) [SY6982CQDC](#)
[SLM6335](#) [SLM6500S](#) [TP4057](#) [DW01](#) [AP5056HSPER](#) [EG4321](#) [GN4054B](#) [HG4054M5/TR](#) [4060](#) [4061](#) [4061H](#) [4056A](#) [4056V](#) [4060H](#)