

### P-Channel 20-V(D-S) MOSFET

| V(BR)DSS | RDS(on)MAX  | ID    |
|----------|-------------|-------|
| -20 V    | 65mΩ@-4.5V  | -3.7A |
|          | 135mΩ@-2.5V |       |

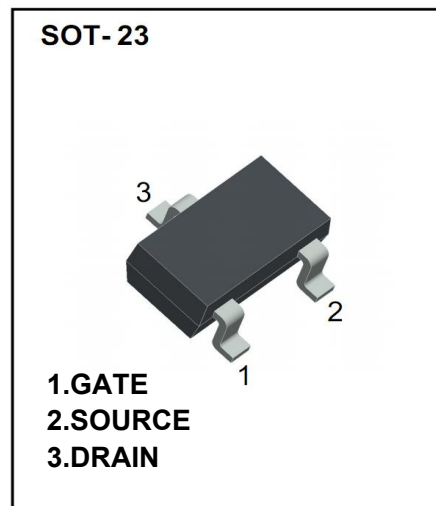
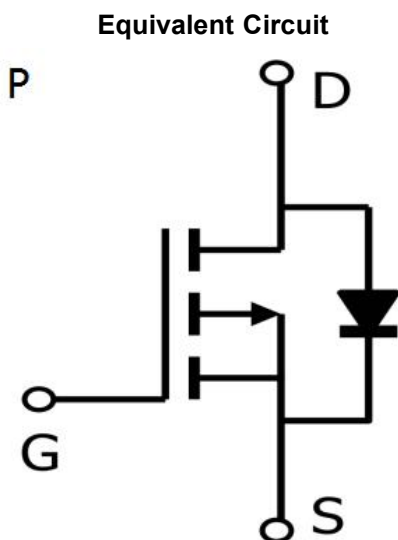
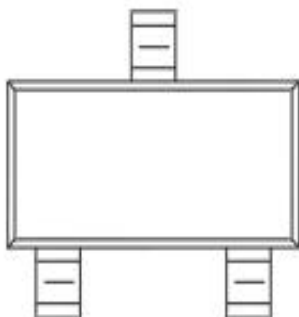
#### FEATURE

- TrenchFET Power MOSFET
- Ultra Low On-Resistance
- Available in Tape and Reel

#### APPLICATION

- ※ Load Switch for Portable Devices
- ※ DC/DC Converter

#### MARKING



#### Maximum ratings ( Ta=25°C unless otherwise noted)

| Parameter  | Symbol | Value    | Unit |
|--|--------|----------|------|
| Drain-Source Voltage                               | VDS    | -20      | V    |
| Gate-Source Voltage                                | VGS    | ±12      |      |
| Continuous Drain Current                           | ID     | -3.7     | A    |
| Pulsed Diode Current                               | IDM    | -22      |      |
| Power Dissipation                                  | PD     | 1.4      | W    |
| Thermal Resistance from Junction to Ambient (t≤5s) | RθJA   | 100      | °C/W |
| Operating Junction                                 | TJ     | 150      | °C   |
| Storage Temperature                                | TSTG   | -55~+150 |      |

### MOSFET ELECTRICAL CHARACTERISTICS

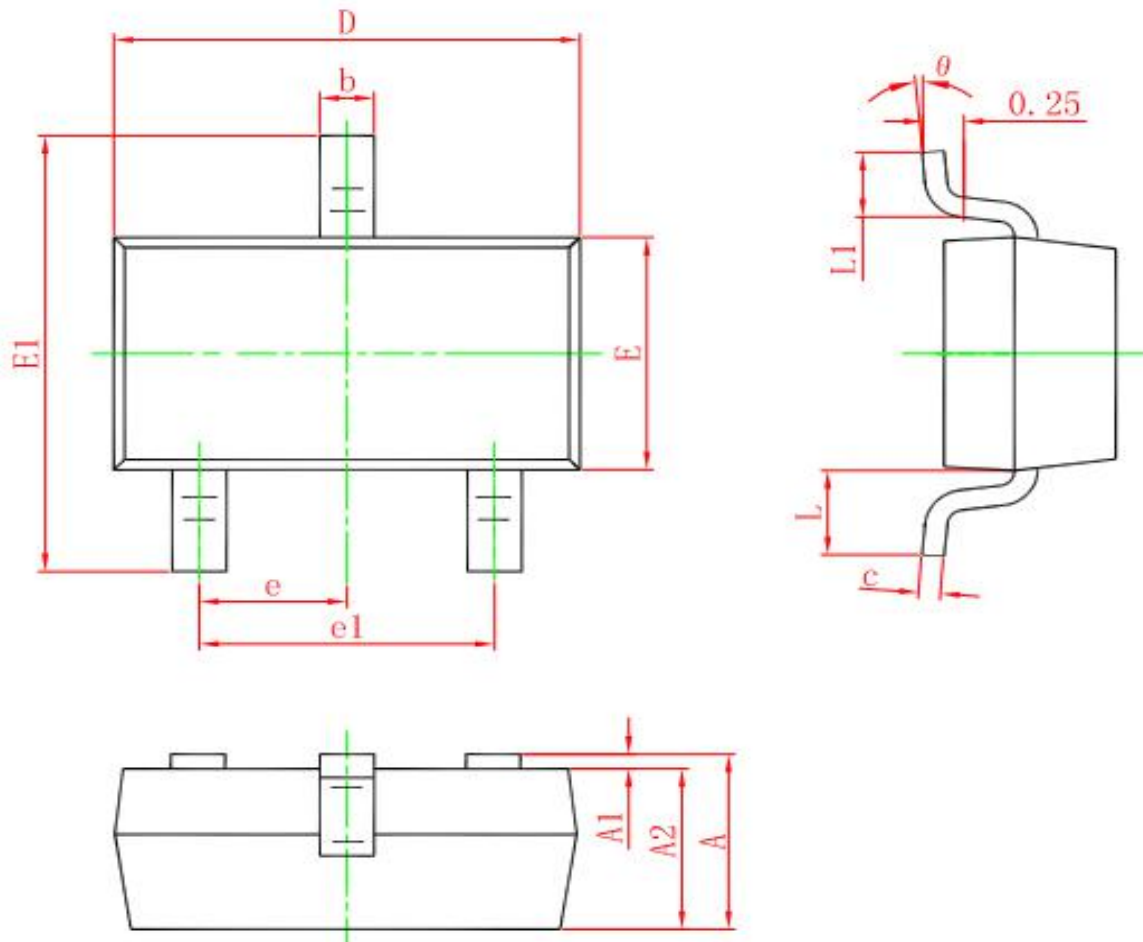
#### Static Electrical Characteristics (Ta = 25 °C Unless Otherwise Noted)

| Parameter                             | Symbol   | Test Condition  | Min  | Typ  | Max  | Unit |
|---------------------------------------|----------|---|------|------|------|------|
| <b>Static</b>                         |          |   |      |      |      |      |
| Drain-source breakdown voltage        | V(BR)DSS | VGS = 0V, ID = -250μA                                     | -20  |      |      | V    |
| Gate-source threshold voltage         | VGS(th)  | VDS = VGS, ID = -250μA                                    | -0.4 |      | -1.2 | V    |
| Gate-source leakage                   | IGSS     | VDS = 0V, VGS = ±12V                                      |      |      | ±100 | nA   |
| Zero gate voltage drain current       | IDSS     | VDS = -20V, VGS = 0V                                      |      |      | -1   | μA   |
| Drain-source on-state resistancea     | RDS(on)  | VGS = -4.5V, ID = -3.7A                                   |      | 50   | 65   | mΩ   |
|                                       |          | VGS = -2.5V, ID = -3A                                     |      | 80   | 135  | mΩ   |
| Forward transconductancea             | gfs      | VDS = -4.5V, ID = -3.7A                                   | 6    |      |      | S    |
| Diode forward voltage                 | VSD      | IS = -1A, VGS = 0V  |      | -0.8 | -1.2 | V    |
| Continuous Source-Drain Diode Current | IS       |   |      |      | -1.3 | A    |
| <b>Dynamic</b>                        |          |   |      |      |      |      |
| Input capacitance                     | Ciss     | VDS = -10V, VGS = 0V,<br>f = 1MHz                         |      | 633  |      | pF   |
| Output capacitance                    | Coss     |   |      | 145  |      | pF   |
| Reverse transfer capacitanceb         | Crss     |   |      | 110  |      | pF   |
| Total gate charge                     | Qg       | VDS = -10V, VGS = -4.5V,<br>ID = -3.7A                    |      | 8.0  |      | nC   |
| Gate-source charge                    | Qgs      |   |      | 1.2  |      | nC   |
| Gate-drain charge                     | Qgd      |   |      | 2.8  |      | nC   |
| Gate resistance                       | Rg       | f = 1MHz  |      | 6.5  |      | Ω    |
| <b>Switchingb</b>                     |          |   |      |      |      |      |
| Turn-on delay time                    | td(on)   | VDS = -10V<br>RL = 6Ω, ID ≈ -1A,<br>VGEN = -4.5V, Rg = 3Ω |      | 12   |      | ns   |
| Rise time                             | tr       |   |      | 30   |      | ns   |
| Turn-off delay time                   | td(off)  |   |      | 60   |      | ns   |
| Fall time                             | tf       |   |      | 50   |      | ns   |
| Body Diode Reverse Recovery Time      | Trr      | IF = -3.7A, dI/dt = 100A/μs                               |      | 29   |      | ns   |
| Body Diode Reverse Recovery Charge    | Qrr      | IF = -3.7A, dI/dt = 100A/μs                               |      | 11   |      | nC   |

#### Note :

1. Repetitive Rating : Pulse width limited by maximum junction temperature.
2. Surface Mounted on FR4 Board, t < 5 sec.
3. Pulse Test : Pulse Width ≤ 300μs, Duty Cycle ≤ 2%.
4. Guaranteed by design, not subject to production testing.

**SOT-23 PACKAGE OUTLINE DIMENSIONS**



| Symbol   | Dimensions In Millimeters |       | Dimensions In Inches |       |
|----------|---------------------------|-------|----------------------|-------|
|          | Min.                      | Max.  | Min.                 | Max.  |
| A        | 0.900                     | 1.150 | 0.035                | 0.045 |
| A1       | 0.000                     | 0.100 | 0.000                | 0.004 |
| A2       | 0.900                     | 1.050 | 0.035                | 0.041 |
| b        | 0.300                     | 0.500 | 0.012                | 0.020 |
| c        | 0.080                     | 0.150 | 0.003                | 0.006 |
| D        | 2.800                     | 3.000 | 0.110                | 0.118 |
| E        | 1.200                     | 1.400 | 0.047                | 0.055 |
| E1       | 2.250                     | 2.550 | 0.089                | 0.100 |
| e        | 0.950 TYP.                |       | 0.037 TYP.           |       |
| e1       | 1.800                     | 2.000 | 0.071                | 0.079 |
| L        | 0.550 REF.                |       | 0.022 REF.           |       |
| L1       | 0.300                     | 0.500 | 0.012                | 0.020 |
| $\theta$ | 0°                        | 8°    | 0°                   | 8°    |

## X-ON Electronics

Largest Supplier of Electrical and Electronic Components

*Click to view similar products for [MOSFET](#) category:*

*Click to view products by [Yongyutai Electronics](#) manufacturer:*

Other Similar products are found below :

[IRFD120](#) [JANTX2N5237](#) [2SK2267\(Q\)](#) [BUK455-60A/B](#) [TK100A10N1,S4X\(S](#) [MIC4420CM-TR](#) [VN1206L](#) [NDP4060](#) [SI4482DY](#)  
[IRS2092STRPBF-EL](#) [IPS70R2K0CEAKMA1](#) [TK31J60W5,S1VQ\(O](#) [TK31J60W,S1VQ\(O](#) [TK16J60W,S1VQ\(O](#) [2SK2614\(TE16L1,Q\)](#)  
[DMN1017UCP3-7](#) [EFC2J004NUZTDG](#) [P85W28HP2F-7071](#) [DMN1053UCP4-7](#) [NTE2384](#) [DMC2700UDMQ-7](#) [DMN2080UCB4-7](#)  
[DMN61D9UWQ-13](#) [US6M2GTR](#) [DMN31D5UDJ-7](#) [DMP22D4UFO-7B](#) [IPS60R3K4CEAKMA1](#) [DMN1006UCA6-7](#) [DMN16M9UCA6-7](#)  
[STF5N65M6](#) [IRF40H233XTMA1](#) [STU5N65M6](#) [DMN6022SSD-13](#) [DMN13M9UCA6-7](#) [DMTH10H4M6SPS-13](#) [IPS60R360PFD7SAKMA1](#)  
[DMN2990UFB-7B](#) [SSM3K35CT,L3F](#) [IPLK60R1K0PFD7ATMA1](#) [2N7002W-G](#) [MCAC30N06Y-TP](#) [IPWS65R035CFD7AXKSA1](#)  
[MCQ7328-TP](#) [SSM3J143TU,LXHF](#) [DMN12M3UCA6-7](#) [PJMF280N65E1\\_T0\\_00201](#) [PJMF380N65E1\\_T0\\_00201](#)  
[PJMF280N60E1\\_T0\\_00201](#) [PJMF600N65E1\\_T0\\_00201](#) [PJMF900N65E1\\_T0\\_00201](#)