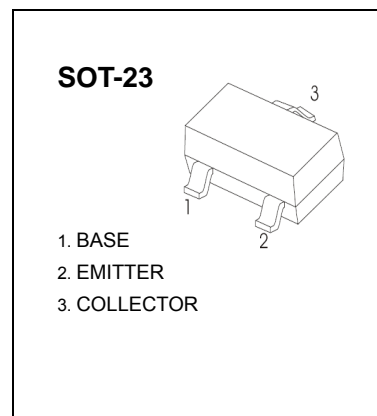


SOT-23 Plastic-Encapsulate Transistors

**1SS226** SWITCHING DIODE

**FEATURES**

- Low forward voltage
- Fast reverse recovery time
- Small total capacitance



**MARKING: C3**

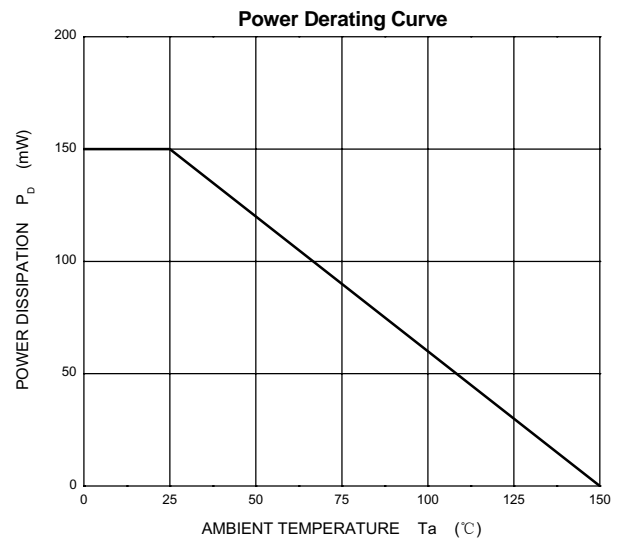
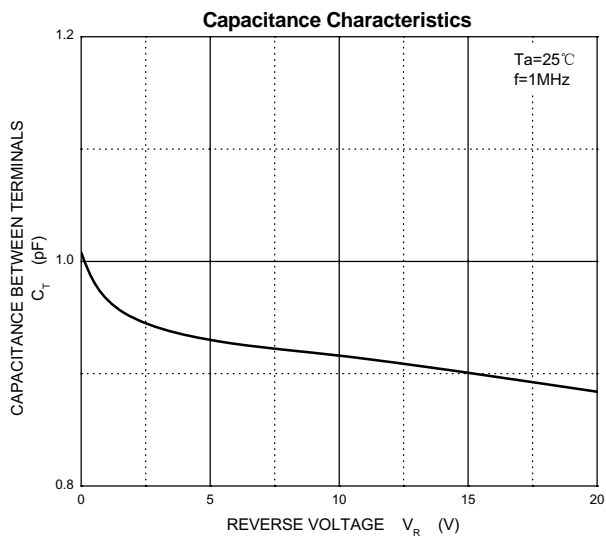
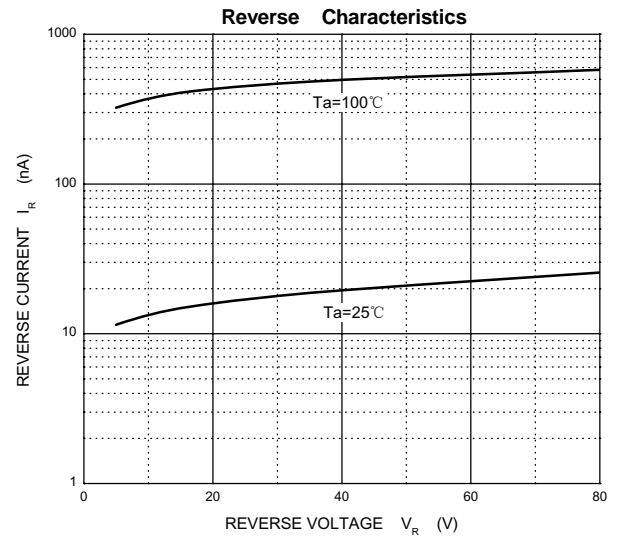
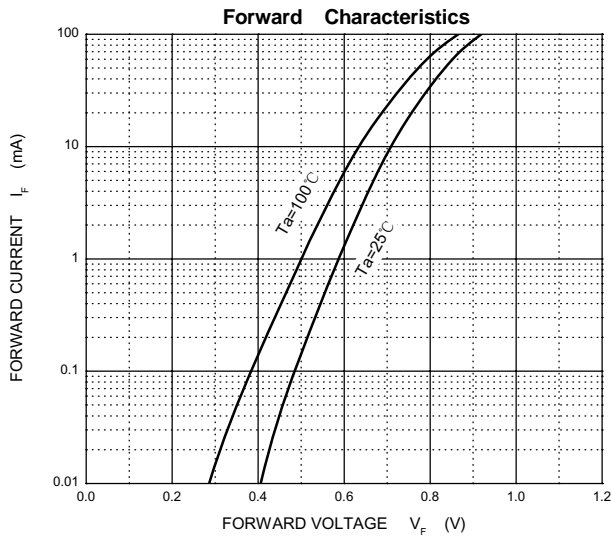
**Maximum Ratings ,Single Diode @Ta=25°C**

| Parameter                            | Symbol    | Limit    | Unit |
|--------------------------------------|-----------|----------|------|
| Non-Repetitive Peak Reverse Voltage  | $V_{RM}$  | 85       | V    |
| Peak Repetitive Peak Reverse Voltage | $V_{RRM}$ | 80       | V    |
| Working Peak Reverse Voltage         | $V_{RWM}$ |          |      |
| DC Blocking Voltage                  | $V_R$     |          |      |
| Forward Continuous Current           | $I_{FM}$  | 300      | mA   |
| Average Rectified Output Current     | $I_O$     | 100      | mA   |
| Peak Forward Surge Current @t=10ms   | $I_{FSM}$ | 2        | A    |
| Power Dissipation                    | $P_D$     | 150      | mW   |
| Junction Temperature                 | $T_J$     | 150      | °C   |
| Storage Temperature                  | $T_{STG}$ | -55~+150 | °C   |

**ELECTRICAL CHARACTERISTICS (Ta=25°C unless otherwise specified)**

| Parameter                       | Symbol     | Test conditions  | Min | Max | Unit    |
|---------------------------------|------------|------------------|-----|-----|---------|
| Reverse breakdown voltage       | $V_{(BR)}$ | $I_R=100\mu A$   | 80  |     | V       |
| Reverse voltage leakage current | $I_R$      | $V_R=80V$        |     | 0.5 | $\mu A$ |
| Forward voltage                 | $V_F$      | $I_F=100mA$      |     | 1.2 | V       |
| Diode capacitance               | $C_D$      | $V_R=0V, f=1MHz$ |     | 3   | pF      |
| Reverse recovery time           | $t_{rr}$   | $I_F=10mA$       |     | 4   | ns      |

SOT-23 Plastic-Encapsulate Transistors



## X-ON Electronics

Largest Supplier of Electrical and Electronic Components

*Click to view similar products for [Diodes - General Purpose, Power, Switching category](#):*

*Click to view products by [Youtai manufacturer](#):*

Other Similar products are found below :

[MCL4151-TR3](#) [MMBD3004S-13-F](#) [RD0306T-H](#) [RD0506LS-SB-1H](#) [RGP30G-E373](#) [DSE010-TR-E](#) [BAQ333-TR](#) [BAQ335-TR](#) [BAQ33-GS18](#) [BAS1602VH6327XT](#) [BAV17-TR](#) [BAV19-TR](#) [BAV301-TR](#) [BAW27-TAP](#) [HSC285TRF-E](#) [NSVBAV23CLT1G](#) [NTE525](#) [1SS181-TP](#) [1SS184-TP](#) [1SS193,LF](#) [1SS193-TP](#) [1SS400CST2RA](#) [SBAV99LT3G](#) [SDAA13](#) [LL4448-GS18](#) [SHN2D02FUTW1T1G](#) [LS4150GS18](#) [LS4151GS08](#) [SMMD7000LT3G](#) [FC903-TR-E](#) [1N4449](#) [1N4934-E3/73](#) [1SS226-TP](#) [APT100DL60HJ](#) [RFUH20TB3S](#) [RGP30G-E354](#) [RGP30M-E3/73](#) [D291S45T](#) [MCL4151-TR](#) [BAS 16-02V H6327](#) [BAS 21U E6327](#) [BAS 28 E6327](#) [BAS33-TAP](#) [BAS 70-02V H6327](#) [BAV300-TR](#) [BAV303-TR3](#) [BAW27-TR](#) [BAW56DWQ-7-F](#) [BAW56M3T5G](#) [BAW75-TAP](#)